



US00D769848S

(12) **United States Design Patent** (10) **Patent No.:** **US D769,848 S**
Lee et al. (45) **Date of Patent:** **** Oct. 25, 2016**

(54) **REMOTE CONTROLLER**

(71) Applicant: **Samsung Electronics Co., Ltd.**,
Suwon-si, Gyeonggi-do (KR)

(72) Inventors: **Min Hee Lee**, Seoul (KR); **Ji Hye Lim**, Seoul (KR); **Chul Yong Cho**,
Seoul (KR); **Kyong Hoon Kim**,
Seongnam-si (KR)

(73) Assignee: **SAMSUNG ELECTRONICS CO., LTD.**, Suwon-Si, Gyeonggi-Do (KR)

(**) Term: **15 Years**

(21) Appl. No.: **29/529,925**

(22) Filed: **Jun. 11, 2015**

(30) **Foreign Application Priority Data**

Dec. 30, 2014 (KR) 30-2014-0064331

(51) **LOC (10) Cl.** **14-03**

(52) **U.S. Cl.**
USPC **D14/218**

(58) **Field of Classification Search**
USPC D14/137, 174, 217-218, 240, 247,
D14/388-390, 396, 511; D21/516;
D13/162-164, 168; 715/738; 434/350;
600/323; 348/211.99, 14.05, 114, 734;
341/175-176; 455/575.1
CPC G08C 23/04; G08C 19/12; H04N 5/44;
H04L 17/02
See application file for complete search history.

(56) **References Cited**

U.S. PATENT DOCUMENTS

7,033,316 B2 * 4/2006 Takahashi A61B 1/00059
348/72
D522,308 S * 6/2006 Ball D7/360

D626,534 S 11/2010 Kim et al.
D640,669 S 6/2011 Cho et al.
D679,266 S * 4/2013 Shin D14/218
D682,254 S * 5/2013 Hong D14/218
D715,774 S * 10/2014 Lee D14/218
D734,743 S * 7/2015 Geck D14/218
D740,765 S * 10/2015 Creasman D13/168

OTHER PUBLICATIONS

[http://blog.naver.com/PostView.nhn?blogId=dicagallery
&logNo=140111470703&categoryNo=68&viewDate=&cur-
rentPage=1&listtype=0.](http://blog.naver.com/PostView.nhn?blogId=dicagallery&logNo=140111470703&categoryNo=68&viewDate=¤tPage=1&listtype=0)

* cited by examiner

Primary Examiner — Ralf Seifert

(74) *Attorney, Agent, or Firm* — Ladas & Parry LLP

(57) **CLAIM**

We claim the ornamental design for a remote controller, as shown and described.

DESCRIPTION

FIG. 1 is the front perspective view of a remote controller showing our new design;
FIG. 2 is the front view thereof;
FIG. 3 is the rear view thereof;
FIG. 4 is the left-side view thereof;
FIG. 5 is the right-side view thereof;
FIG. 6 is the top plan view thereof;
FIG. 7 is the bottom plan view thereof; and,
FIG. 8 is a rear perspective view thereof.
The broken lines in the drawing show unclaimed environment only and form no part of the claimed design.

1 Claim, 7 Drawing Sheets

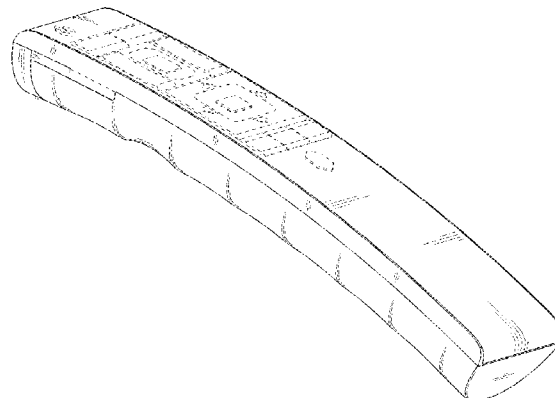


FIG. 1

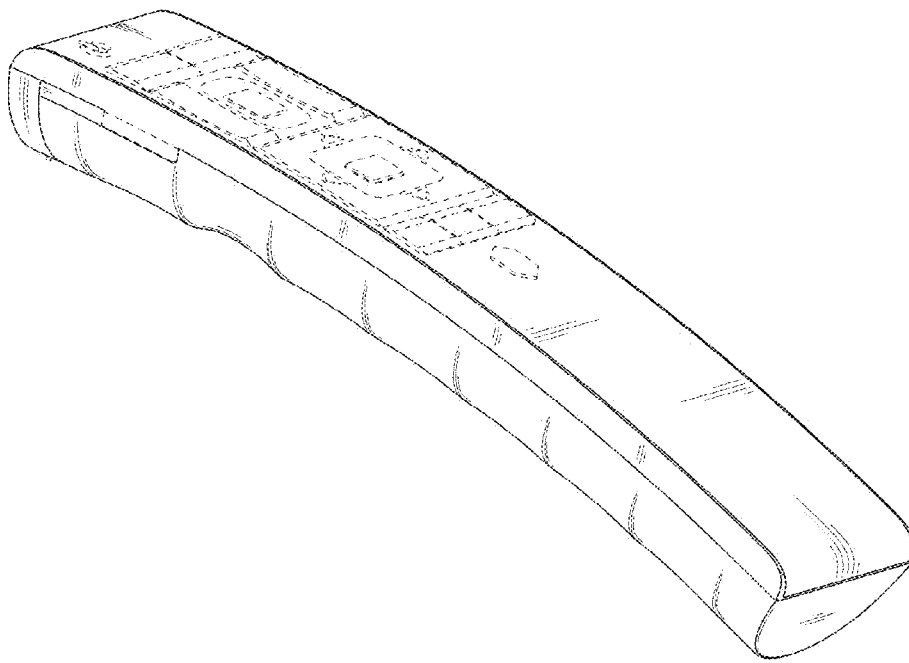


FIG. 2

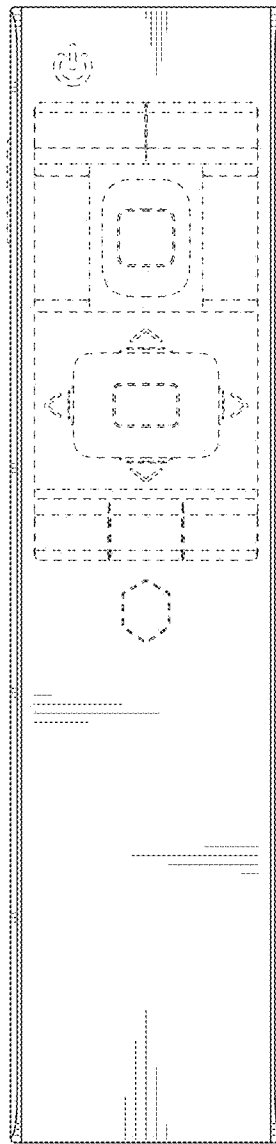


FIG. 3

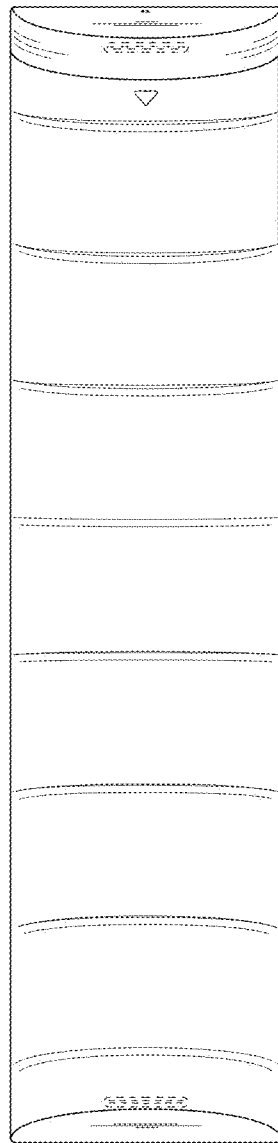


FIG. 4

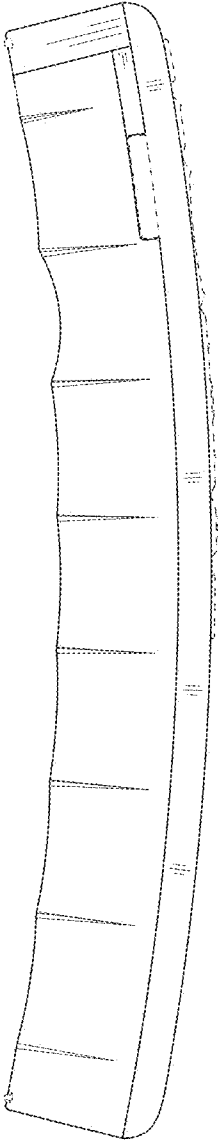


FIG. 5

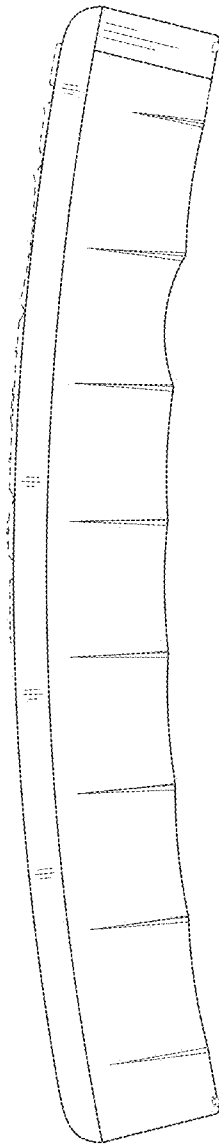


FIG. 6

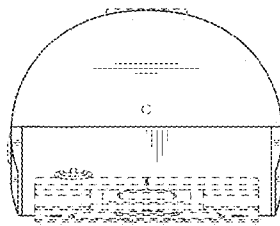


FIG. 7

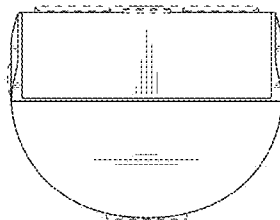


FIG. 8

