



US00D535856S

(12) **United States Design Patent**
Kell

(10) **Patent No.:** **US D535,856 S**

(45) **Date of Patent:** **** Jan. 30, 2007**

(54) **COVERED CASSEROLE**

(75) Inventor: **Jeffrey B. Kell**, Avon, NY (US)

(73) Assignee: **WKI Holding Company, Inc.**,
Rosemont, IL (US)

(**) Term: **14 Years**

(21) Appl. No.: **29/224,741**

(22) Filed: **Mar. 7, 2005**

(51) **LOC (8) Cl.** **07-01**

(52) **U.S. Cl.** **D7/538; D7/543; D7/548;**
D7/360

(58) **Field of Classification Search** D7/360,
D7/358, 391, 402, 629, 542, 538, 543, 545,
D7/587, 548; 220/574, 377, 625, 369.912,
220/366.1; 126/384.1; 99/403

See application file for complete search history.

(56) **References Cited**

U.S. PATENT DOCUMENTS

2,131,663 A	*	9/1938	Hughes	220/772
D126,554 S		4/1941	Fletcher		
D134,334 S		11/1942	Kapner et al.		
D162,960 S		4/1951	Johnston		
D172,075 S	*	5/1954	Barnhart	D7/542
D173,093 S	*	9/1954	Schreckengost	D7/360
D185,064 S	*	5/1959	Clark, Jr.	D7/542
D187,995 S		5/1960	Loewy		
D190,962 S	*	7/1961	Quitgaard	D7/542
D197,476 S		2/1964	DePuy		
D204,150 S		3/1966	Curtis		
D206,452 S	*	12/1966	Latham	D7/542
D211,979 S	*	8/1968	Dru	D9/443
D212,704 S	*	11/1968	Benes	D7/360
D214,185 S		5/1969	Stageberg		
D214,460 S		6/1969	Stageberg		
D218,346 S	*	8/1970	Aubecq	D7/360
D218,347 S	*	8/1970	Aubecq	D7/360
D236,574 S		9/1975	Rothstein		
D253,574 S		12/1979	Anderson		
D275,547 S		9/1984	Asti et al.		

D282,135 S		1/1986	McClelland		
D286,488 S	*	11/1986	Broere	D7/542
D291,041 S		7/1987	Grange		
D295,819 S		5/1988	Mercadante		
D326,797 S		6/1992	Pomroy et al.		
D328,836 S		8/1992	Unger		
D368,828 S	*	4/1996	Thurlow	D7/360
D374,373 S	*	10/1996	Ito	D7/360
5,653,359 A	*	8/1997	Sondermann	220/625
D395,787 S	*	7/1998	Wilks	D7/357
D409,447 S		5/1999	Henry		

(Continued)

OTHER PUBLICATIONS

Images of Nigella Lawson's Living Kitchen Mixing Bowl
(sold prior to Mar. 7, 2005).

Primary Examiner—M. N. Pandozzi

(74) *Attorney, Agent, or Firm*—Wallenstein & Wagner, Ltd.

(57) **CLAIM**

The ornamental design for a covered casserole, as shown
and described.

DESCRIPTION

FIG. 1 is a perspective view of a covered casserole accord-
ing to the new design;

FIG. 2 is an exploded view of the covered casserole shown
in FIG. 1;

FIG. 3 is a front view of the covered casserole shown in FIG.
1, the rear view being identical thereto;

FIG. 4 is a left side elevation view of the covered casserole
shown in FIG. 1;

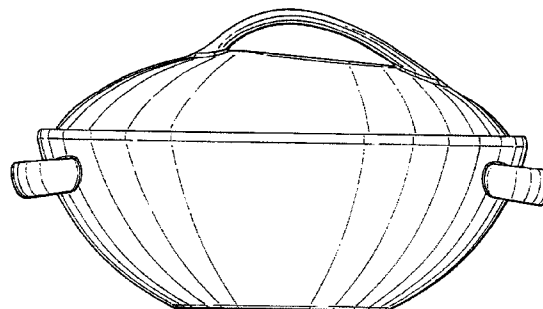
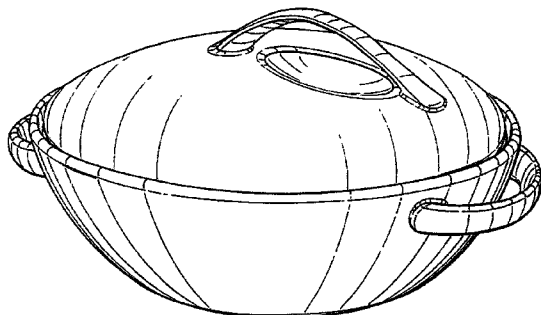
FIG. 5 is a right side elevation view of the covered casserole
shown in FIG. 1;

FIG. 6 is a top view of the covered casserole shown in FIG.
1;

FIG. 7 is a bottom view of the covered casserole shown in
FIG. 1; and,

FIG. 8 is a cross-sectional view of the covered casserole
shown in FIG. 6 taken along the line 8—8.

1 Claim, 4 Drawing Sheets



U.S. PATENT DOCUMENTS

D412,266	S	*	7/1999	Kerr	D7/542			
D413,483	S	*	9/1999	Roussard	D7/358			
D425,751	S	*	5/2000	Yu et al.	D7/391			
6,105,810	A	*	8/2000	Daenen et al.	220/366.1			
D445,298	S	*	7/2001	DeBord et al.	D7/360			
D469,301	S	*	1/2003	Ryan et al.	D7/360			
D470,714	S	*	2/2003	Kloppsteck	D7/360			
D470,715	S	*	2/2003	Kloppsteck	D7/360			
D471,757	S	*	3/2003	Kitamura et al.	D7/360			
D477,970	S	*	8/2003	Thonis	D7/542			
D484,745	S		1/2004	Watson					
D492,881	S	*	7/2004	Bodum	D7/360			
D495,559	S	*	9/2004	Vidal	D8/538			
D496,555	S	*	9/2004	Rommelfanger et al.	D7/360			
D498,386	S	*	11/2004	Kloppsteck	D7/360			
D498,639	S	*	11/2004	Brasset	D7/360			
D506,350	S	*	6/2005	Cheng	D7/360			
D517,857	S	*	3/2006	Poon	D7/356			
D523,687	S	*	6/2006	Jian	D7/360			
D523,694	S	*	6/2006	Czebiniak	D7/542			
D525,479	S	*	7/2006	Olsen et al.	D7/360			

* cited by examiner

FIG. 1

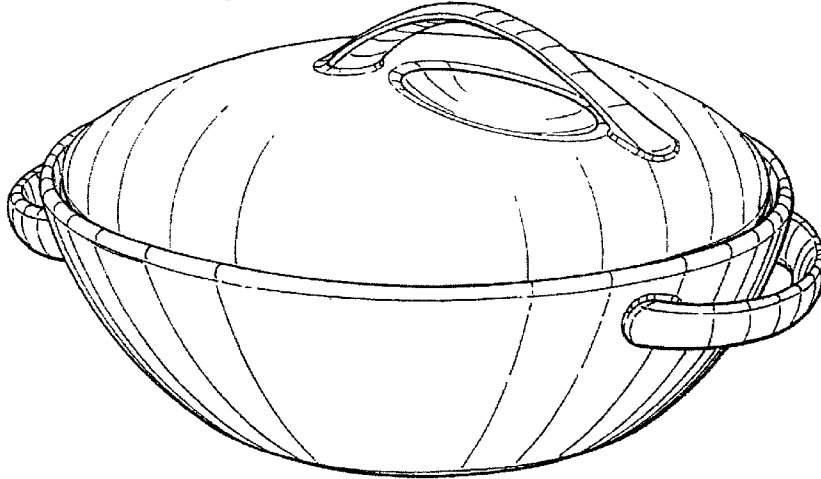


FIG. 2

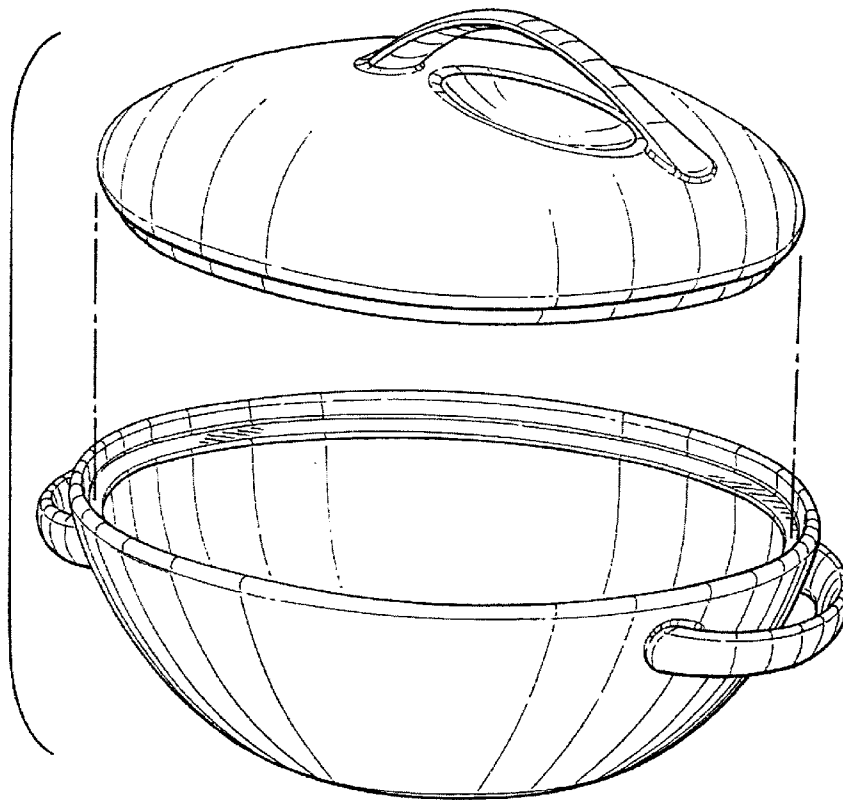


FIG. 3

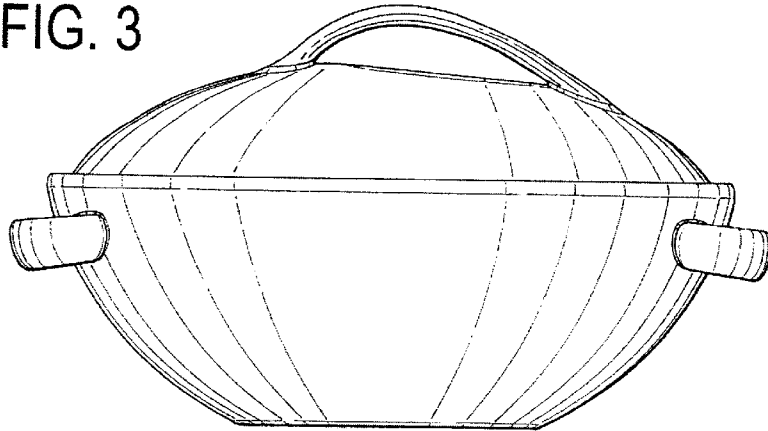


FIG. 4

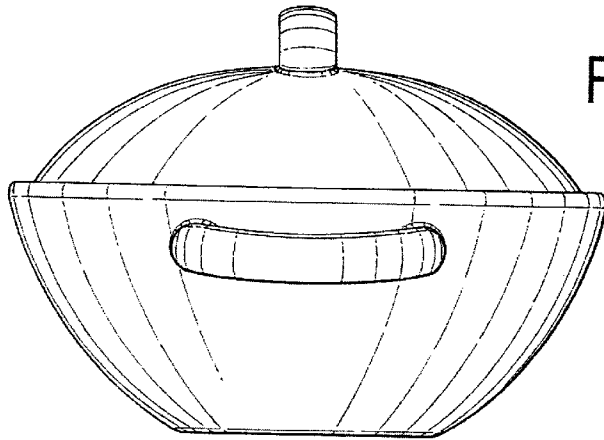


FIG. 5

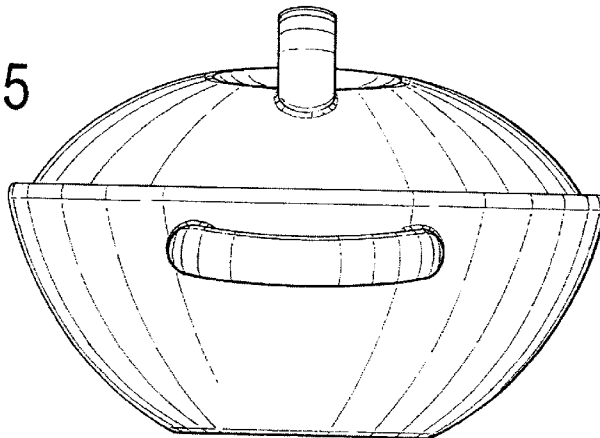


FIG. 6

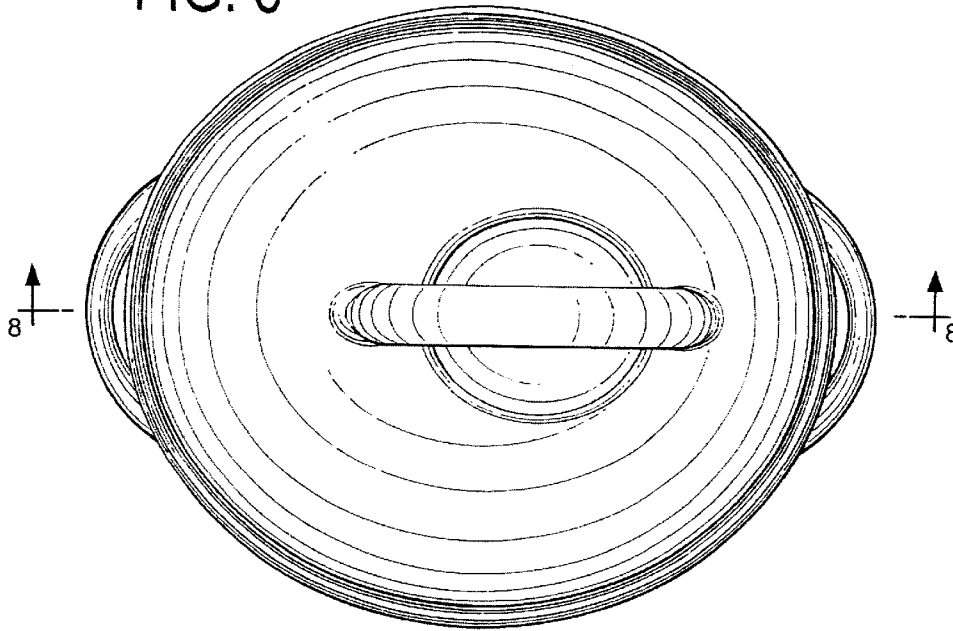


FIG. 7

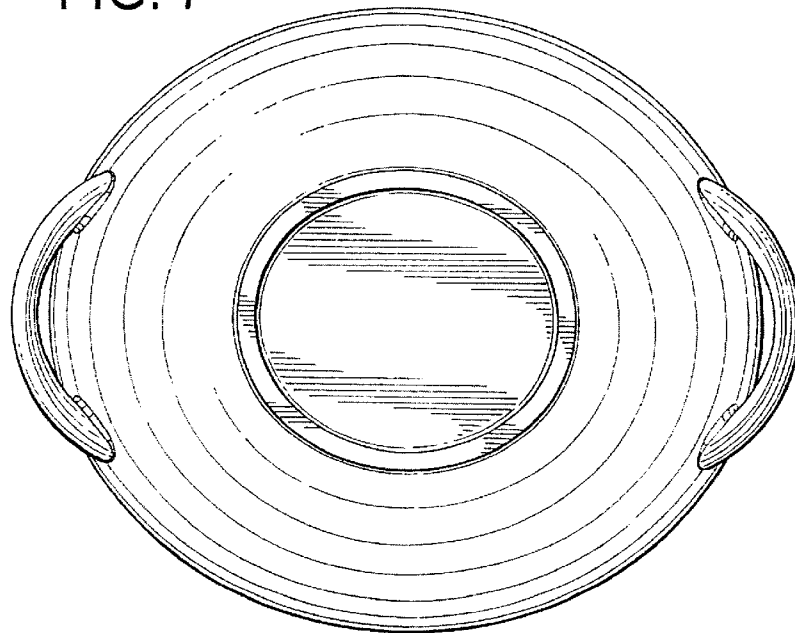


FIG. 8

