

(19) World Intellectual Property Organization
International Bureau



(43) International Publication Date
18 April 2002 (18.04.2002)

PCT

(10) International Publication Number
WO 02/031614 A3

(51) International Patent Classification⁷: G06F 17/60

(21) International Application Number: PCT/IL01/00939

(22) International Filing Date: 10 October 2001 (10.10.2001)

(25) Filing Language: English

(26) Publication Language: English

(30) Priority Data:
60/239,988 13 October 2000 (13.10.2000) US

(71) Applicant: NDS LIMITED [GB/GB]; One London Road, Staines, Middlesex TW18 4EX (GB).

(72) Inventors; and

(75) Inventors/Applicants (for US only): EPSTEIN, Steve [IL/IL]; Yizhar Street 44, P.O. Box 464, 93127 Hashmonaim (IL). CHECHIK, David, Samuel [IL/IL]; Telz Stone 103A, 90840 D.N. Harei Yeduda (IL).

(74) Agents: COLB, Sanford, T. et al.; Sanford T. Colb & Co., P.O. Box 2273, 76122 Rehovot (IL).

(81) Designated States (national): AE, AG, AL, AM, AT, AU, AZ, BA, BB, BG, BR, BY, BZ, CA, CH, CN, CO, CR, CU, CZ, DE, DK, DM, DZ, EC, EE, ES, FI, GB, GD, GE, GH, GM, HR, HU, ID, IL, IN, IS, JP, KE, KG, KP, KR, KZ, LC, LK, LR, LS, LT, LU, LV, MA, MD, MG, MK, MN, MW, MX, MZ, NO, NZ, PH, PL, PT, RO, RU, SD, SE, SG, SI, SK, SL, TJ, TM, TR, TT, TZ, UA, UG, US, UZ, VN, YU, ZA, ZW.

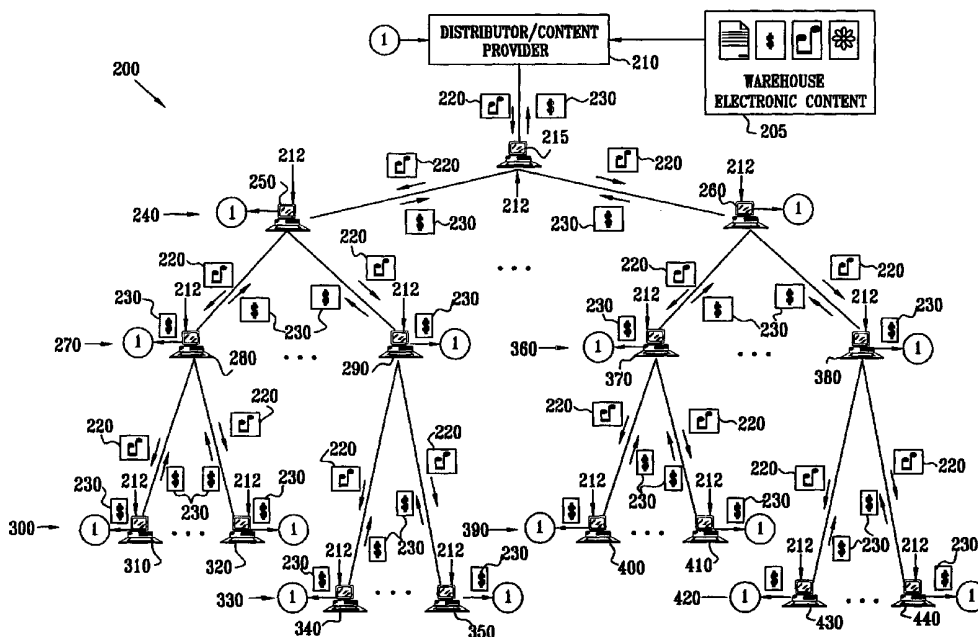
(84) Designated States (regional): ARIPO patent (GH, GM, KE, LS, MW, MZ, SD, SL, SZ, TZ, UG, ZW), Eurasian patent (AM, AZ, BY, KG, KZ, MD, RU, TJ, TM), European patent (AT, BE, CH, CY, DE, DK, ES, FI, FR, GB, GR, IE, IT, LU, MC, NL, PT, SE, TR), OAPI patent (BF, BJ, CF, CG, CI, CM, GA, GN, GQ, GW, ML, MR, NE, SN, TD, TG).

Published:

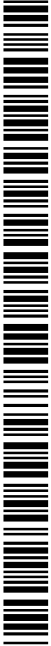
- with international search report
- before the expiration of the time limit for amending the claims and to be republished in the event of receipt of amendments

[Continued on next page]

(54) Title: AUTOMATED MULTI-LEVEL MARKETING SYSTEM



(57) Abstract: A method for automated multi-level marketing of an electronic item. The method includes providing a secured electronic item (220) originating from a distributor (210), and a first user (215) packaging a copy of the secured electronic item with secured payment details (212) for the first user to receive a payment, thereby producing a packaged secured electronic item. Related apparatus and methods are also described.



WO 02/031614 A3



(88) Date of publication of the international search report:
26 September 2002

For two-letter codes and other abbreviations, refer to the "Guidance Notes on Codes and Abbreviations" appearing at the beginning of each regular issue of the PCT Gazette.

INTERNATIONAL SEARCH REPORT

International application No.
PCT/IL01/00939

A. CLASSIFICATION OF SUBJECT MATTER

IPC(7) :G06F 17/60
U.S. CL :705/26, 51

According to International Patent Classification (IPC) or to both national classification and IPC

B. FIELDS SEARCHED

Minimum documentation searched (classification system followed by classification symbols)

U.S. : 705/26, 51; 709/310

Documentation searched other than minimum documentation to the extent that such documents are included in the fields searched

Electronic data base consulted during the international search (name of data base and, where practicable, search terms used)

C. DOCUMENTS CONSIDERED TO BE RELEVANT

| Category* | Citation of document, with indication, where appropriate, of the relevant passages | Relevant to claim No. |
|-----------|--|-----------------------|
| Y | US 5,864,620 A (PETTITT) 26 January 1999, col. 3, line 20 - col. 6, line 21. | 1-46 |
| Y | US 6,067,532 A (GEBB) 23 May 2000, col. 3, line 20 - col. 9, line 24. | 1-46 |
| A | US 6,009,525 A (HORSTMANN), 28 December 1999, col. 3, line 8 - col. 6, line 65. | 1-46 |

Further documents are listed in the continuation of Box C. See patent family annex.

| | | |
|--|-----|--|
| * Special categories of cited documents: | "I" | later document published after the international filing date or priority date and not in conflict with the application but cited to understand the principle or theory underlying the invention |
| "A" document defining the general state of the art which is not considered to be of particular relevance | "X" | document of particular relevance; the claimed invention cannot be considered novel or cannot be considered to involve an inventive step when the document is taken alone |
| "E" earlier document published on or after the international filing date | "Y" | document of particular relevance; the claimed invention cannot be considered to involve an inventive step when the document is combined with one or more other such documents, such combination being obvious to a person skilled in the art |
| "L" document which may throw doubts on priority claims; or which is cited to establish the publication date of another citation or other special reason (as specified) | "&" | document member of the same patent family |
| "O" document referring to an oral disclosure, use, exhibition or other means | | |
| "P" document published prior to the international filing date but later than the priority date claimed | | |

| | |
|---|--|
| Date of the actual completion of the international search 02 JULY 2002 | Date of mailing of the international search report 08 AUG 2002 |
|---|--|

| | |
|---|--|
| Name and mailing address of the ISA/US Commissioner of Patents and Trademarks Box PCT Washington, D.C. 20231 Facsimile No. 703 305-3230 | Authorized officer <i>Fai</i> A. OBERLEY <i>James R. Matthews</i> Telephone No. 703 305-9657 |
|---|--|