



US00D429256S

United States Patent [19]
Zaun

[11] **Patent Number: Des. 429,256**
[45] **Date of Patent: ** Aug. 8, 2000**

- [54] **TILLAGE SWEEP**
- [75] Inventor: **Richard David Zaun**, West Des Moines, Iowa
- [73] Assignee: **Deere & Company**, Moline, Ill.
- [**] Term: **14 Years**
- [21] Appl. No.: **29/106,485**
- [22] Filed: **Jun. 14, 1999**
- [51] **LOC (7) Cl.** **15-03**
- [52] **U.S. Cl.** **D15/29**
- [58] **Field of Search** D15/10, 11, 28, D15/29, 32; 37/452; 172/699, 713, 730, 770, 771

[56] **References Cited**
U.S. PATENT DOCUMENTS

D. 190,335	5/1961	Livermore	D15/29
D. 360,420	7/1995	Woodward et al.	D15/29
D. 376,373	12/1996	Peterson et al.	D15/29
D. 415,173	10/1999	Zaun	D15/29
D. 415,773	10/1999	Chapman	D15/11
3,225,467	12/1965	Troeppl	37/452
4,787,462	11/1988	Nichols	172/730

5,499,686 3/1996 Parker 172/730

Primary Examiner—Sandra L. Morris

[57] **CLAIM**

The ornamental design for a tillage sweep, as shown and described.

DESCRIPTION

FIG. 1 is a perspective view of the bottom of a tillage sweep showing my new design, the broken line showing of the apertures being for illustrative purposes only.

FIG. 2 is a bottom plan view of the tillage sweep design of FIG. 1.

FIG. 3 is a front perspective view of the tillage sweep design of FIG. 1.

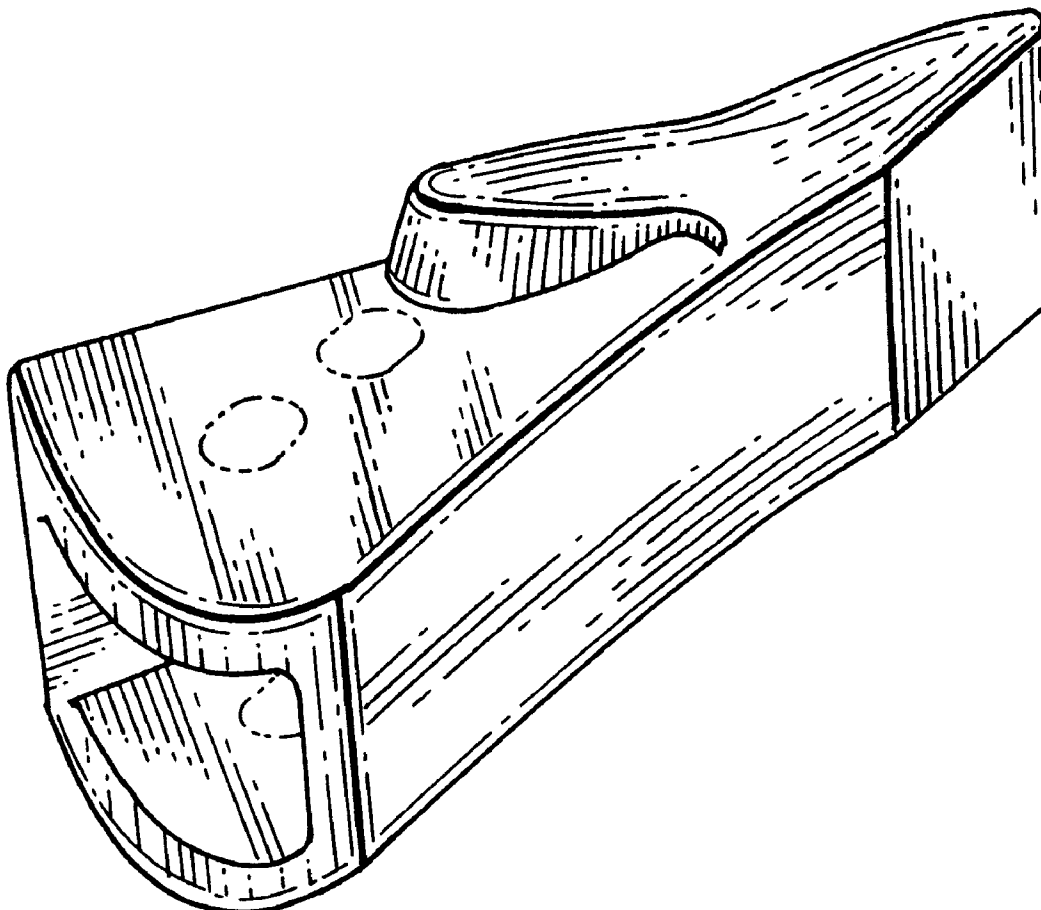
FIG. 4 is a right side view of the tillage sweep design of FIG. 1, the broken line showing of the apertures being for illustrative purposes only.

FIG. 5 is a rear view of the tillage sweep design of FIG. 1.

FIG. 6 is a top plan view of the tillage sweep design of FIG. 1; and,

FIG. 7 is a left side view of the tillage sweep design of FIG. 1, the broken line showing of the apertures being for illustrative purposes only.

1 Claim, 2 Drawing Sheets



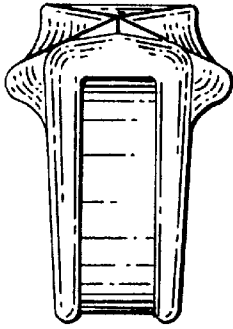


Fig. 5

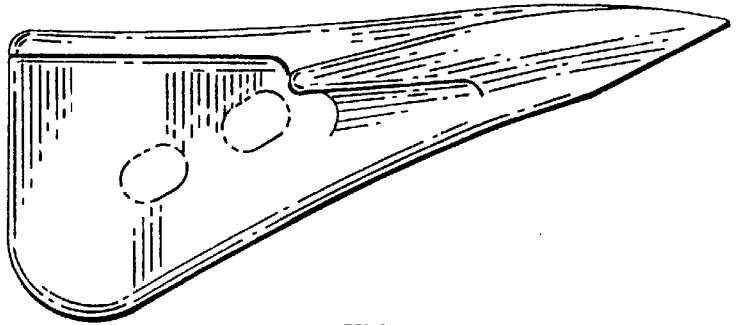


Fig. 4

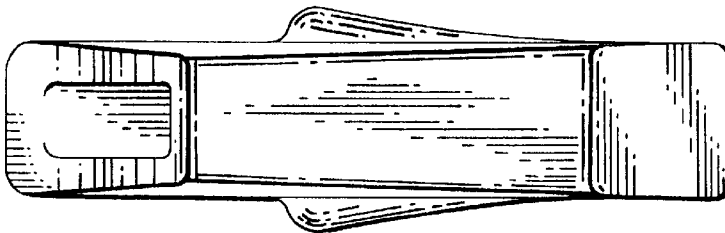


Fig. 2



Fig. 3

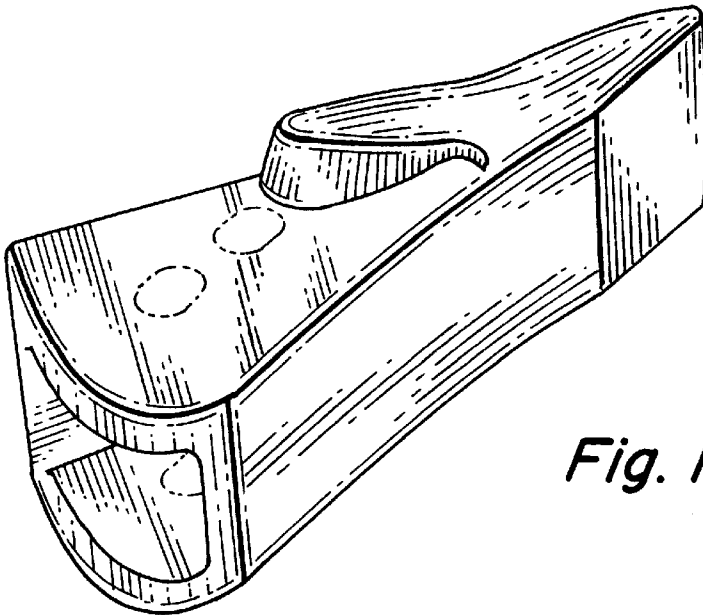


Fig. 1

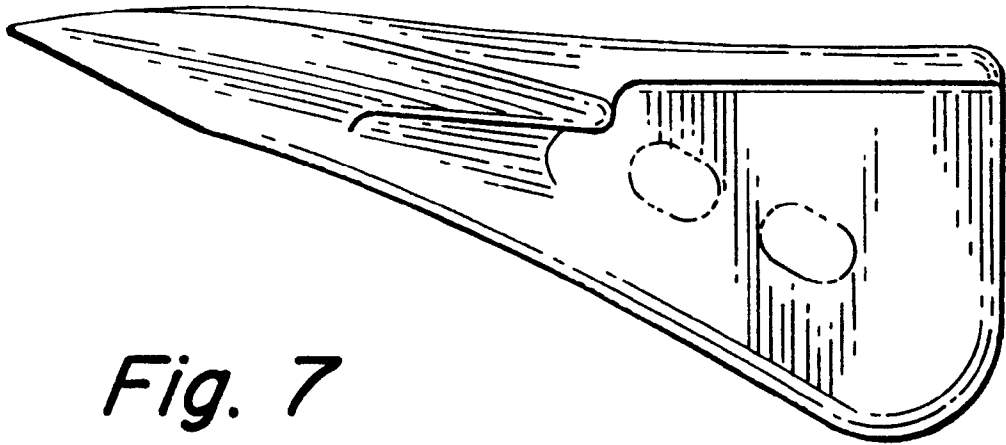


Fig. 7

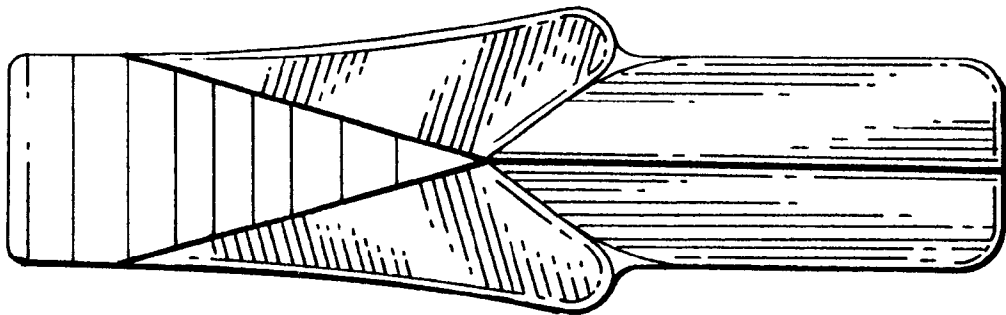


Fig. 6