



US00D603103S

(12) **United States Design Patent**
Ferrara et al.

(10) **Patent No.:** **US D603,103 S**

(45) **Date of Patent:** **** Oct. 27, 2009**

(54) **PROTECTIVE HELMET COMPRESSION MEMBER**

(75) Inventors: **Vincent R. Ferrara**, Wellesley, MA (US); **Kurt Hibchen**, Montreal (CA)

(73) Assignee: **Xenith, LLC**, Lowell, MA (US)

(**) Term: **14 Years**

(21) Appl. No.: **29/326,453**

(22) Filed: **Oct. 17, 2008**

(51) **LOC (9) Cl.** **29-02**

(52) **U.S. Cl.** **D29/122**

(58) **Field of Classification Search** D29/102-111, D29/122; 2/9, 410-414, 416-425, 209.13, 2/906, DIG. 1, 8.1-8.2, 8.6, 8.7, 171.3, 427, 2/429, 10, 2.5; 62/3.5, 259.3; 128/204.15, 128/889, 201.24, 201.15, 857-858, 891; 267/113, 142-146

See application file for complete search history.

(56) **References Cited**

U.S. PATENT DOCUMENTS

3,872,511 A * 3/1975 Nichols 2/413

4,290,149 A *	9/1981	Aileo	2/414
4,432,099 A *	2/1984	Grick et al.	2/412
4,766,614 A *	8/1988	Cantwell et al.	2/414
D475,486 S *	6/2003	Ide et al.	D29/122
D491,695 S *	6/2004	Long	D29/122
D521,191 S *	5/2006	Berger	D29/122
D570,055 S *	5/2008	Ferrara et al.	D29/122
D582,607 S *	12/2008	Ferrara et al.	D29/106
D584,456 S *	1/2009	Ferrara	D29/122
2004/0188898 A1 *	9/2004	Siefermann et al.	267/113

* cited by examiner

Primary Examiner—Ruth McInroy

(74) *Attorney, Agent, or Firm*—Cesari and McKenna, LLP

(57) **CLAIM**

We claim the ornamental design for a protective helmet compression member, as shown and described.

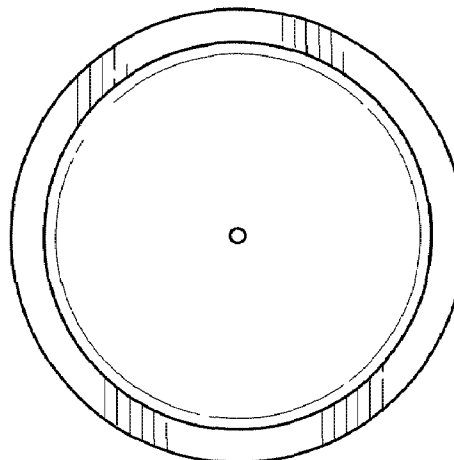
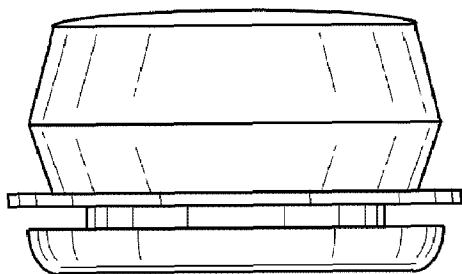
DESCRIPTION

FIG. 1 is a side elevation view of a protective helmet compression member showing our new design, the view being axially symmetrical;

FIG. 2 is a top plan view thereof; and,

FIG. 3 is a bottom plan view thereof.

1 Claim, 1 Drawing Sheet



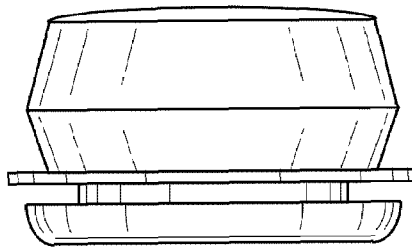


FIG. 1

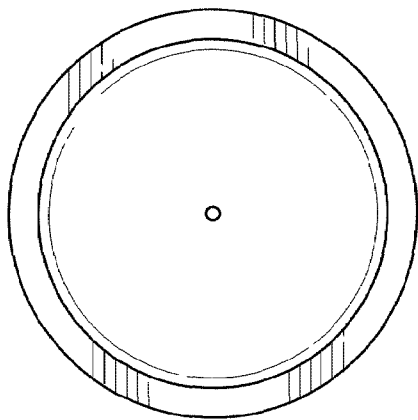


FIG. 2

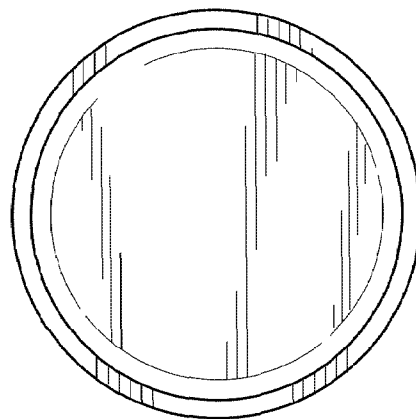


FIG. 3