



US00D738679S

(12) **United States Design Patent**
Renforth et al.

(10) **Patent No.:** **US D738,679 S**

(45) **Date of Patent:** **** Sep. 15, 2015**

(54) **FOOD BOWL PORTION WITH SUPPORT**

(71) Applicant: **DOSKOCIL MANUFACTURING COMPANY, INC.**, Arlington, TX (US)

(72) Inventors: **Jack W. Renforth**, Azle, TX (US);
Norman Anderson, Brooklyn, NY (US)

(**) Term: **14 Years**

(21) Appl. No.: **29/488,998**

(22) Filed: **Apr. 25, 2014**

(51) **LOC (10) Cl.** **31-00**

(52) **U.S. Cl.**
USPC **D7/396.6; D7/403; D7/552.2; D7/558; D30/129**

(58) **Field of Classification Search**
USPC D7/396.1, 396.2, 396.5, 396.6, 387, D7/388, 389, 392.1, 399, 393, 396, 403, D7/550.1, 551.1, 552.2, 558, 559, 571, D7/213, 560, 553.6, 505, 500, 507, 541, D7/542, 553.2, 554.3; D30/129, 101, 102, D30/103, 128, 133, 141, 146, 148, 199; D6/365, 372, 310, 311, 688.17, 688.19, D6/654.14, 691.4, 696.1, 708, 708.1, D6/708.11, 708.15, 708.22, 708.25, 709, D6/709.11, 709.17, 710; D21/417; 220/592.15, 495.03; D23/221, 280.4, D23/278, 304, 277, 303; D26/138, 142; D9/548; 215/227, 395, 374, 376, 377; D11/152, 143
CPC B65D 23/001; B65D 75/008; A47G 19/00; A47G 21/00
See application file for complete search history.

(56) **References Cited**

U.S. PATENT DOCUMENTS

D266,549 S * 10/1982 Lund, III D6/601
D288,955 S * 3/1987 Greene D23/278
D303,853 S * 10/1989 Keller D30/129

D337,017 S * 7/1993 Levien D6/601
D351,762 S * 10/1994 Williams et al. D7/547
D364,303 S * 11/1995 Larsen D6/601
D391,482 S * 3/1998 Wiemann et al. D9/434
D398,528 S * 9/1998 Wiemann et al. D9/434
D431,279 S * 9/2000 Spriegel D23/225
6,427,626 B1 * 8/2002 Quinlan et al. 119/51.01
D533,783 S * 12/2006 Kliger et al. D9/519
D557,413 S * 12/2007 Buermann D24/123
D569,763 S * 5/2008 Schmidt D11/152
D573,412 S * 7/2008 Ablo D7/566
D625,887 S * 10/2010 Becattini et al. D30/133
D642,338 S * 7/2011 Becattini et al. D30/133
D663,624 S * 7/2012 Eble D9/538
D722,503 S * 2/2015 Smith et al. D9/516
D725,924 S * 4/2015 Kaye D6/349

* cited by examiner

Primary Examiner — Marianne Pandozzi

Assistant Examiner — Jae Liang

(74) *Attorney, Agent, or Firm* — Global IP Counselors, LLP

(57) **CLAIM**

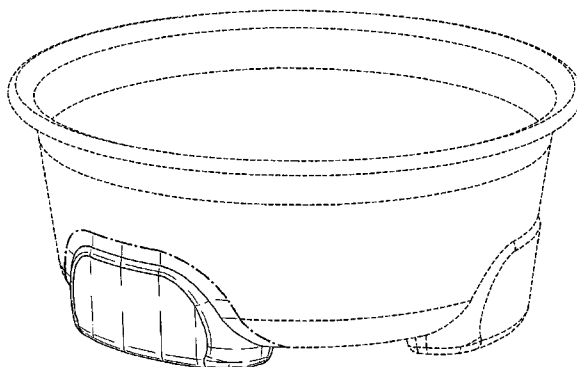
The ornamental design for a food bowl portion with support, as shown and described.

DESCRIPTION

FIG. 1 is a top perspective view of a food bowl portion with support showing our new design;
FIG. 2 is a lower perspective view thereof;
FIG. 3 is a front elevational view thereof;
FIG. 4 is a right side elevational view thereof;
FIG. 5 is a left side elevational view thereof;
FIG. 6 is a rear elevational view thereof;
FIG. 7 is a top plan view thereof; and,
FIG. 8 is a bottom plan view thereof.

The dashed lines depicted in FIGS. 1-5 and 7-8 are for illustration of environmental subject matter only and form no part of the claimed design. The dot-dash lines shown in FIGS. 1-8 are for illustration of the boundary between claimed subject matter and unclaimed subject matter only and form no part of the claimed design.

1 Claim, 8 Drawing Sheets



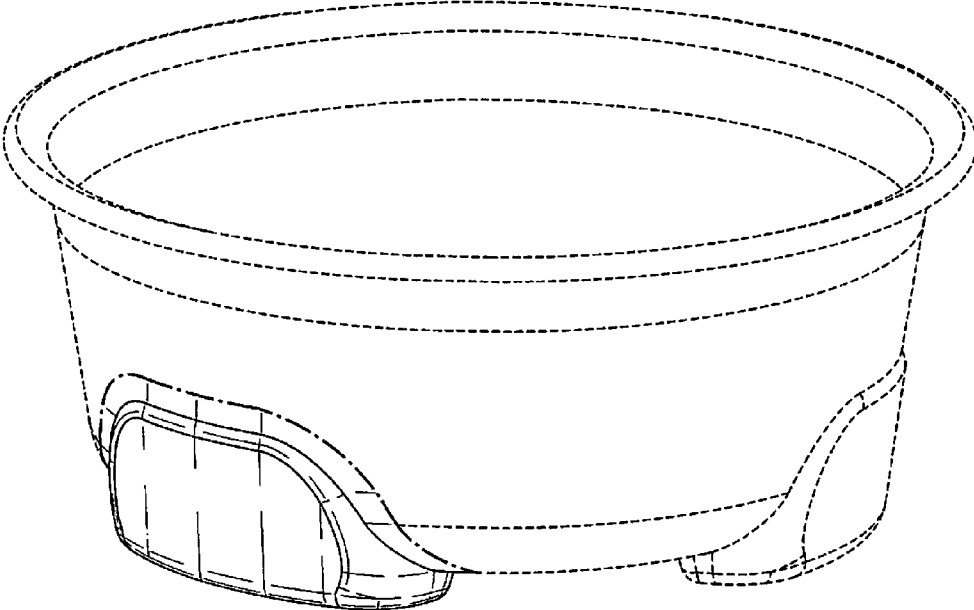


FIG.1

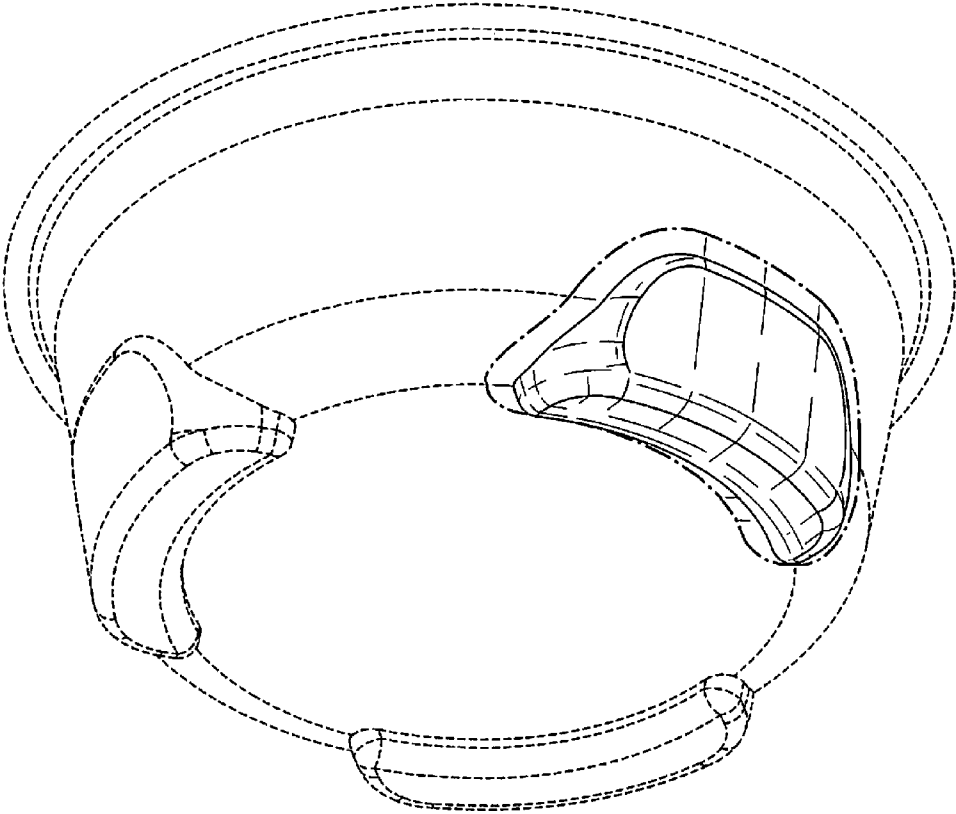


FIG. 2

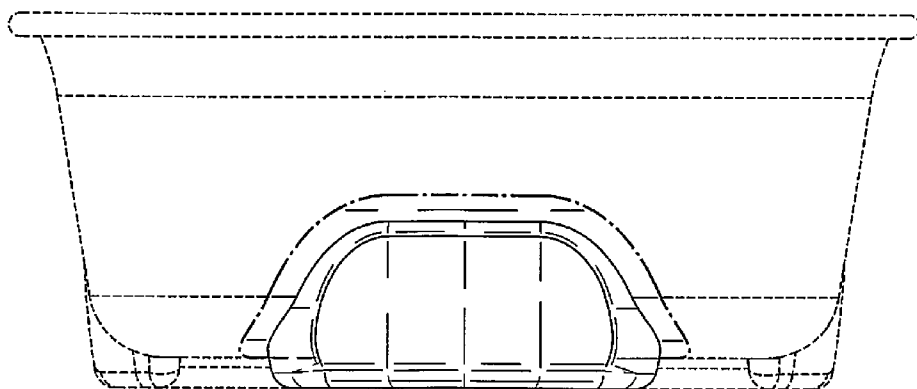


FIG. 3

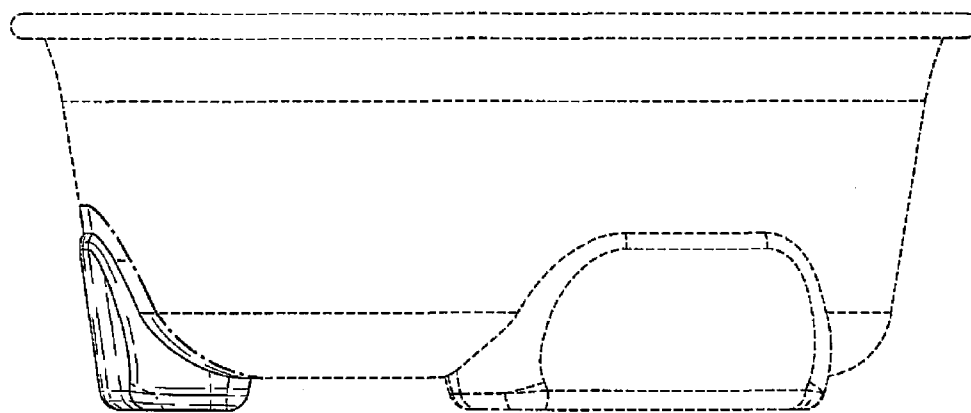


FIG. 4

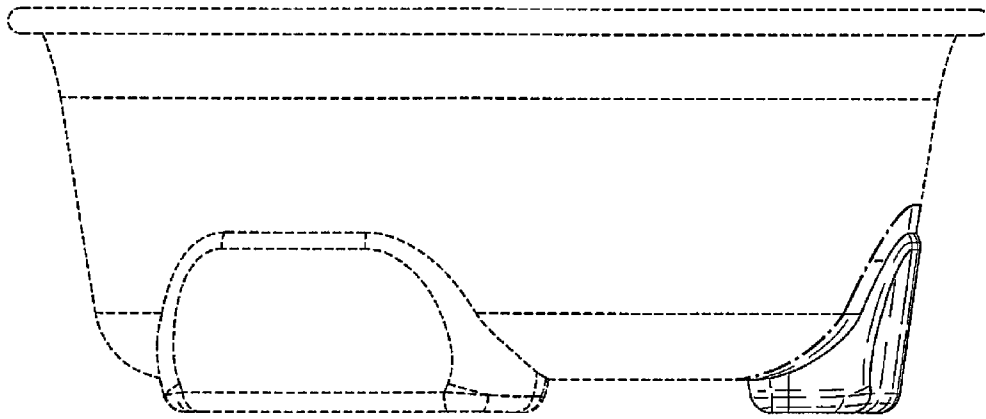


FIG. 5



FIG. 6

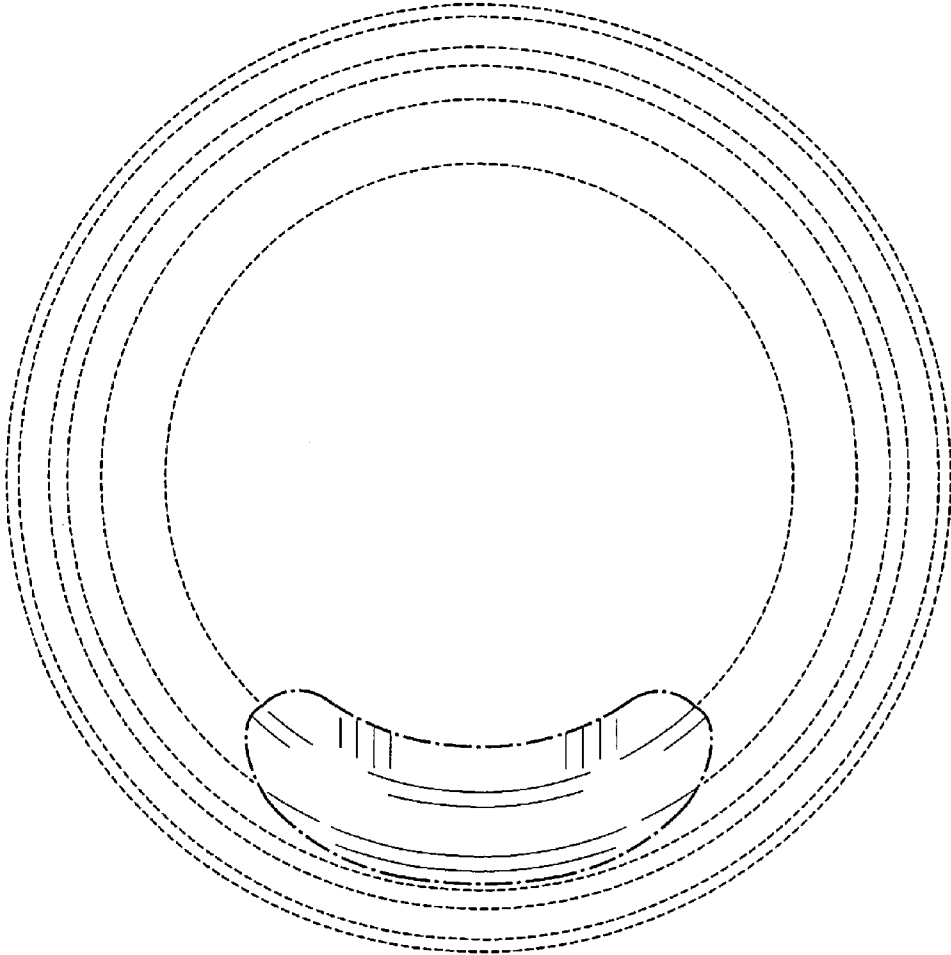


FIG. 7

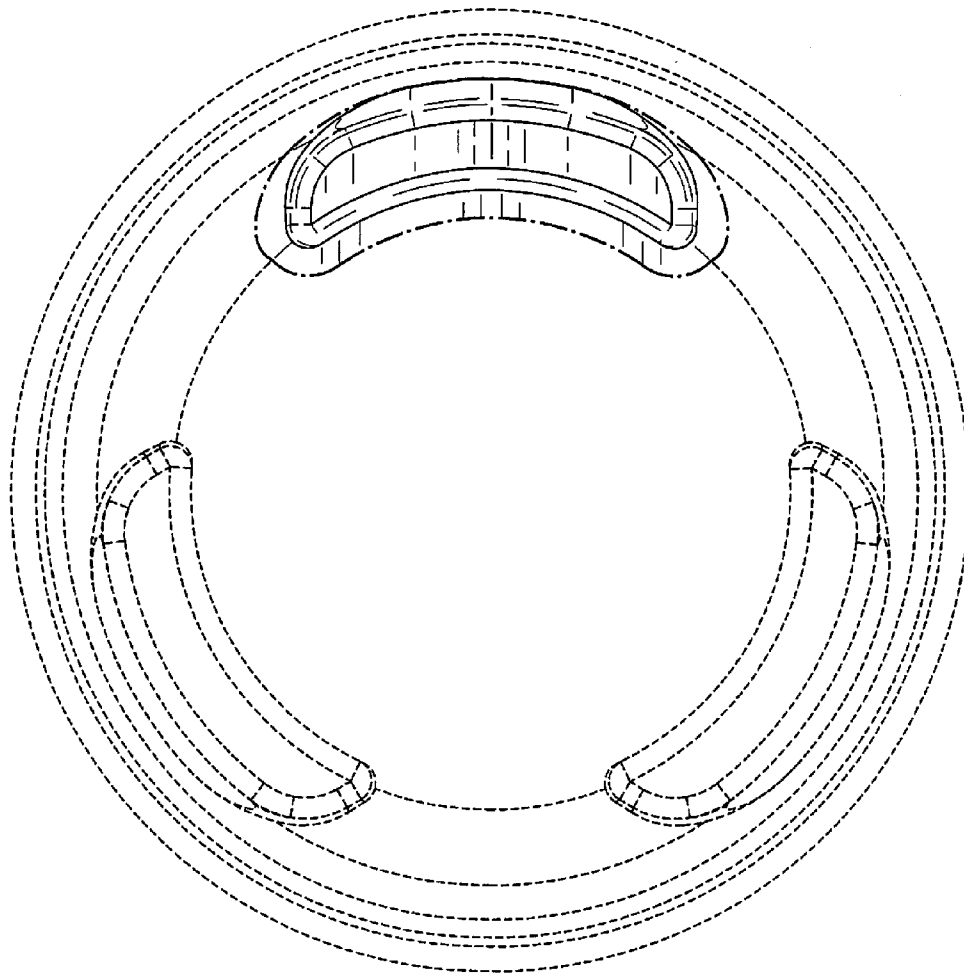


FIG. 8