



US00D534792S

(12) **United States Design Patent**
Cooper

(10) **Patent No.:** **US D534,792 S**

(45) **Date of Patent:** **** Jan. 9, 2007**

(54) **FENCE POST COUPLER**

(75) Inventor: **Cash C. Cooper**, Aubrey, TX (US)
(73) Assignee: **440 Fence Company, Inc.**, Aubrey, TX (US)
(**) Term: **14 Years**

(21) Appl. No.: **29/210,989**
(22) Filed: **Aug. 10, 2004**

(51) **LOC (8) Cl.** **08-08**
(52) **U.S. Cl.** **D8/382; D25/133**
(58) **Field of Classification Search** D8/349,
D8/382, 396; D25/133, 61; 256/65.03, 65.05,
256/68; 52/88; 403/2

See application file for complete search history.

(56) **References Cited**

U.S. PATENT DOCUMENTS

D375,451 S	*	11/1996	Ohkubo	D8/382
5,593,143 A	*	1/1997	Ferrarin	256/68
D412,660 S	*	8/1999	Murakami	D8/382
D413,058 S	*	8/1999	Murakami	D8/382
D417,610 S	*	12/1999	Murakami	D8/382
D423,918 S	*	5/2000	Hirano et al.	D8/382
D477,527 S	*	7/2003	Bradford	D8/382
D495,434 S		8/2004	Cooper		

OTHER PUBLICATIONS

Information Sheet Structural Fittings; <http://www.anchor-miami.com/afw/structruall.htm>; Anchor Fence Wholesalers of Miami (1998).

* cited by examiner

Primary Examiner—Holly H. Baynham
Assistant Examiner—Cynthia M. Chin
(74) *Attorney, Agent, or Firm*—Baker & McKenzie LLP

(57) **CLAIM**

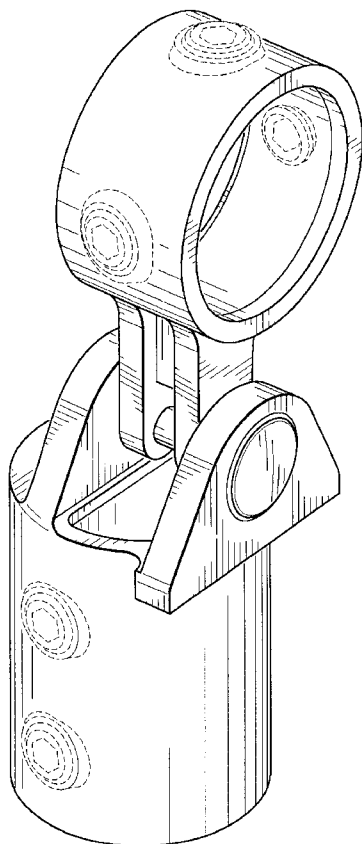
The ornamental design for a fence post coupler, as shown and described.

DESCRIPTION

FIG. 1 is an isometric view of a fence post coupler showing my new design;
FIG. 2 is a side view thereof;
FIG. 3 is a front view thereof;
FIG. 4 is an opposite side view thereof;
FIG. 5 is a top view; and,
FIG. 6 is a bottom view.

The broken line showing of visible environmental structures is for illustrative purposes only and forms no part of the claimed design.

1 Claim, 3 Drawing Sheets



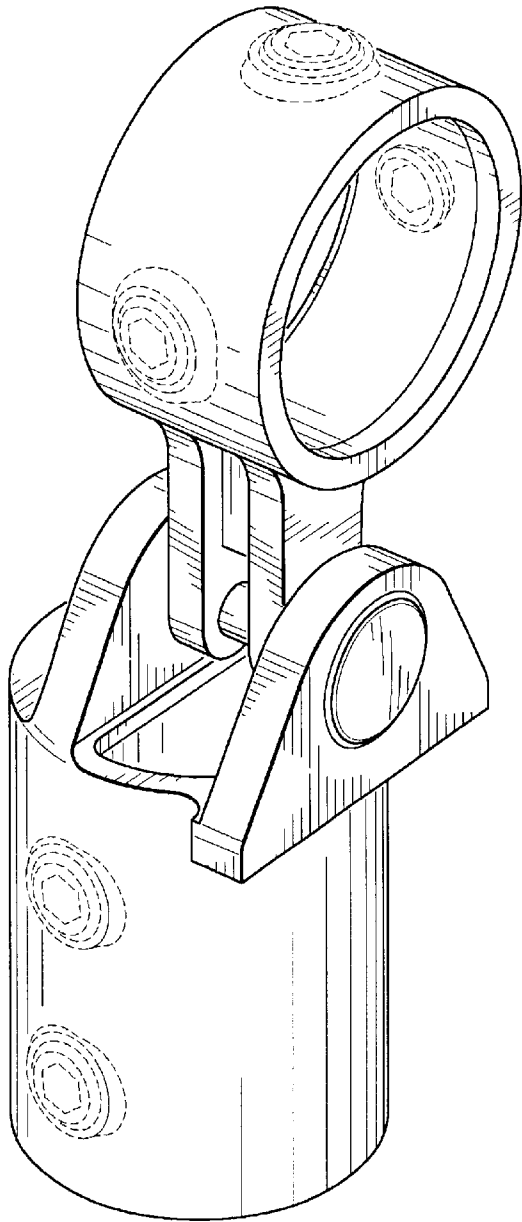


FIG. 1

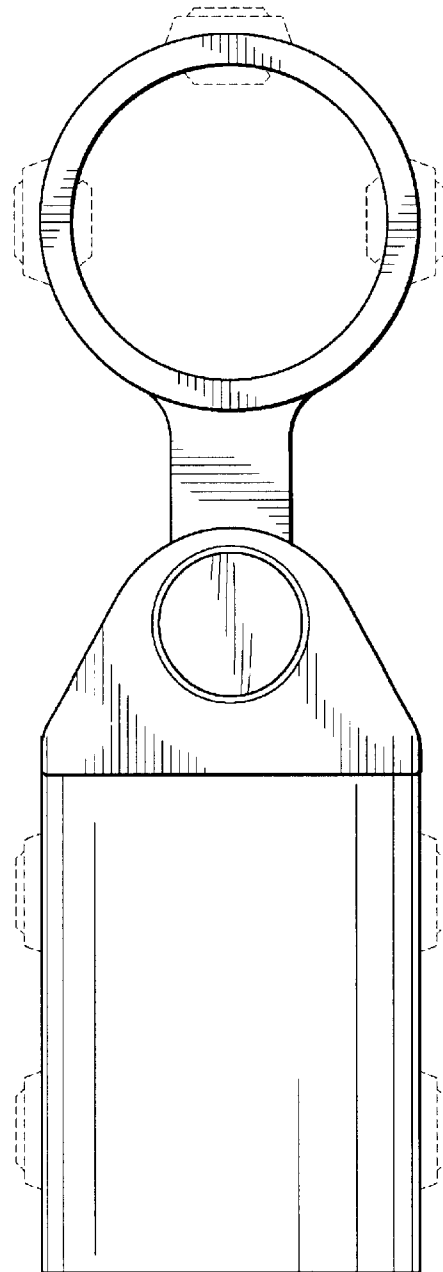


FIG. 2

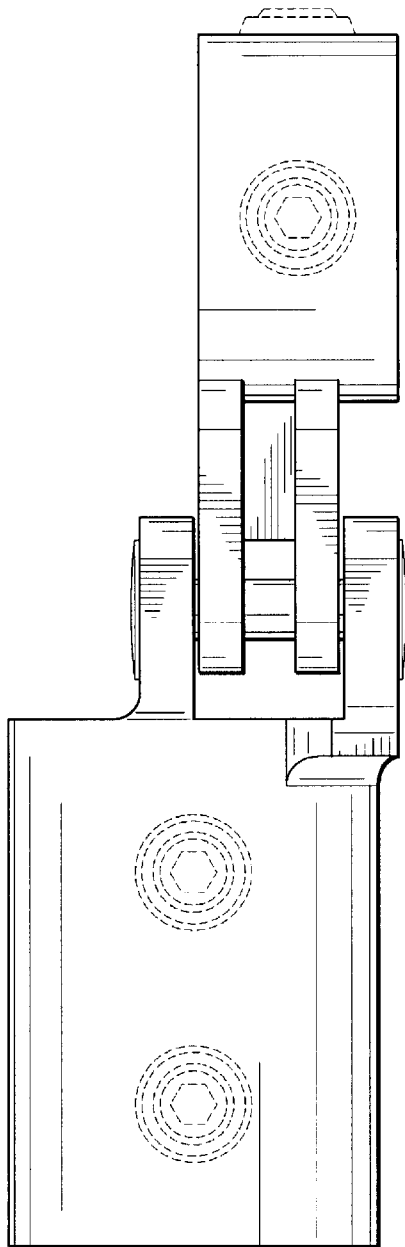


FIG. 3

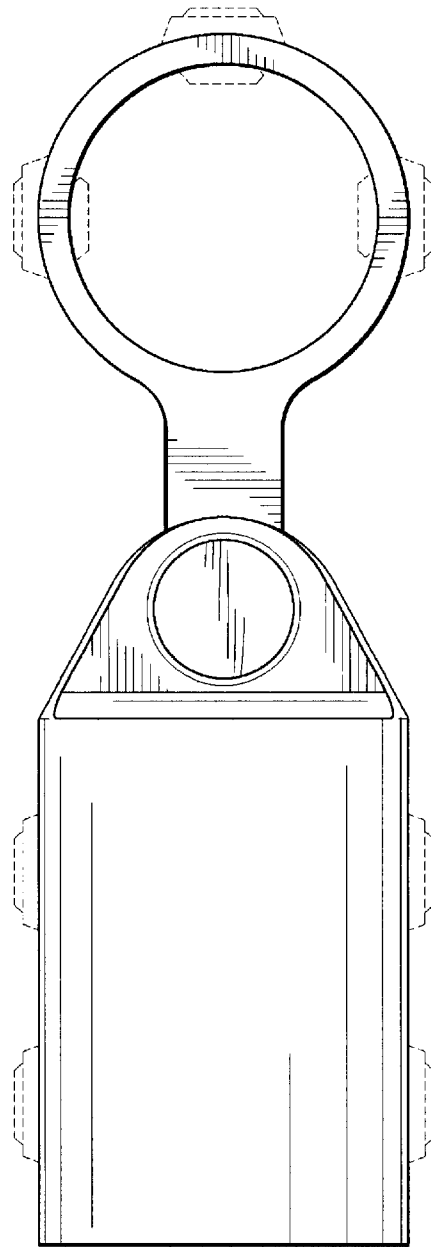


FIG. 4

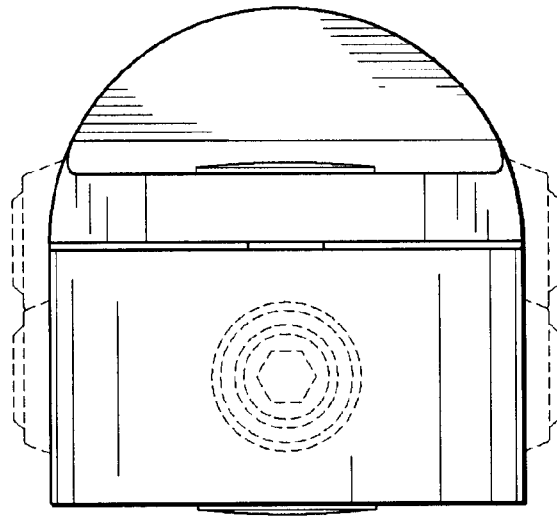


FIG. 5

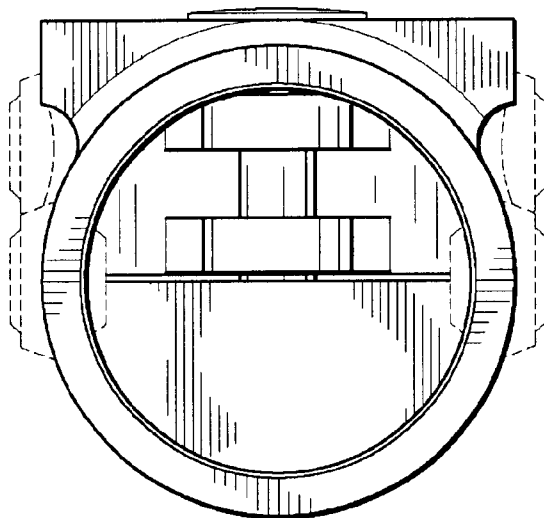


FIG. 6