

(12) INTERNATIONAL APPLICATION PUBLISHED UNDER THE PATENT COOPERATION TREATY (PCT)

(19) World Intellectual Property Organization  
International Bureau



(43) International Publication Date  
11 January 2001 (11.01.2001)

PCT

(10) International Publication Number  
**WO 01/03467 A3**

(51) International Patent Classification<sup>7</sup>: H04R 7/26

(21) International Application Number: PCT/GB00/02353

(22) International Filing Date: 30 June 2000 (30.06.2000)

(25) Filing Language: English

(26) Publication Language: English

(30) Priority Data:  
9915361.1 2 July 1999 (02.07.1999) GB

(71) Applicant (for all designated States except US): **NEW TRANSDUCERS LIMITED** [GB/GB]; 37 Ixworth Place, London SW3 3QH (GB).

(72) Inventor; and

(75) Inventor/Applicant (for US only): **ELLIS, Christien** [GB/GB]; Briar Cottage, 3 Barley Road, Great Chishill, Hertfordshire SG8 8SB (GB).

(74) Agent: **MAGUIRE BOSS**; 5 Crown Street, St. Ives, Cambridgeshire PE27 5EB (GB).

(81) Designated States (national): AE, AG, AL, AM, AT, AU, AZ, BA, BB, BG, BR, BY, BZ, CA, CH, CN, CR, CU, CZ, DE, DK, DM, DZ, EE, ES, FI, GB, GD, GE, GH, GM, HR, HU, ID, IL, IN, IS, JP, KE, KG, KP, KR, KZ, LC, LK, LR, LS, LT, LU, LV, MA, MD, MG, MK, MN, MW, MX, MZ, NO, NZ, PL, PT, RO, RU, SD, SE, SG, SI, SK, SL, TJ, TM, TR, TT, TZ, UA, UG, US, UZ, VN, YU, ZA, ZW.

(84) Designated States (regional): ARIPO patent (GH, GM, KE, LS, MW, MZ, SD, SL, SZ, TZ, UG, ZW), Eurasian patent (AM, AZ, BY, KG, KZ, MD, RU, TJ, TM), European patent (AT, BE, CH, CY, DE, DK, ES, FI, FR, GB, GR, IE, IT, LU, MC, NL, PT, SE), OAPI patent (BF, BJ, CF, CG, CI, CM, GA, GN, GW, ML, MR, NE, SN, TD, TG).

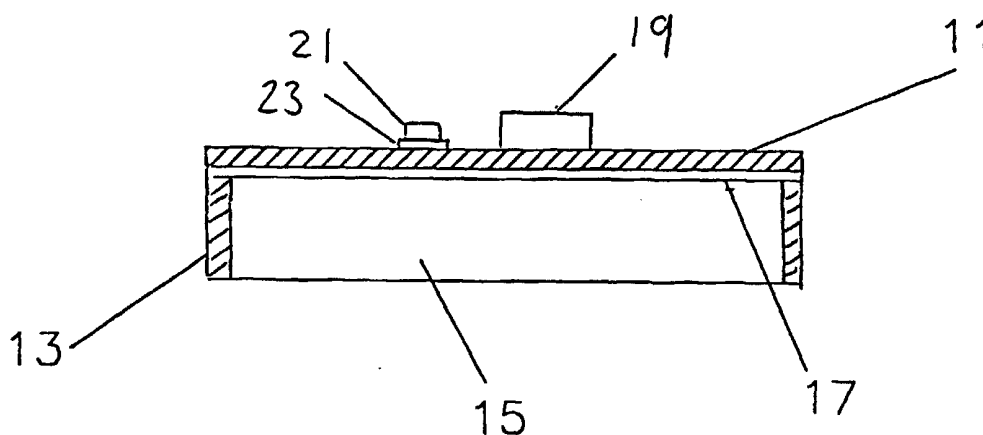
Published:

— With international search report.

(88) Date of publication of the international search report:  
22 March 2001

For two-letter codes and other abbreviations, refer to the "Guidance Notes on Codes and Abbreviations" appearing at the beginning of each regular issue of the PCT Gazette.

(54) Title: BENDING WAVE ACOUSTIC DEVICE



(57) Abstract: An acoustic device has a panel (11) capable of supporting resonant bending wave modes and transducers (19) mounted on the panel. Sometimes, the acoustic response of panel and transducers may have a whole-body resonance peak at a particular frequency. To control this, a mass (21) may be added to the panel, for example on a compliant coupling (23).



WO 01/03467 A3

# INTERNATIONAL SEARCH REPORT

International Application No

PCT/GB 00/02353

**A. CLASSIFICATION OF SUBJECT MATTER**

IPC 7 H04R7/26

According to International Patent Classification (IPC) or to both national classification and IPC

**B. FIELDS SEARCHED**

Minimum documentation searched (classification system followed by classification symbols)

IPC 7 H04R

Documentation searched other than minimum documentation to the extent that such documents are included in the fields searched

Electronic data base consulted during the international search (name of data base and, where practical, search terms used)

**C. DOCUMENTS CONSIDERED TO BE RELEVANT**

Category °	Citation of document, with indication, where appropriate, of the relevant passages	Relevant to claim No.
Y	WO 97 09842 A (AZIMA HENRY ;HARRIS NEIL (GB); COLLOMS MARTIN (GB); VERITY GROUP P) 13 March 1997 (1997-03-13) cited in the application page 12, line 34 -page 30, line 5; figures ---	1,9
Y	US 4 654 554 A (KISHI KANESUKE) 31 March 1987 (1987-03-31) column 1, line 13 -column 3, line 15; figures ---	1,9
A	WO 98 52381 A (NEW TRANSDUCERS LTD ;AZIMA HENRY (GB); HARRIS NEIL (GB); ELLIS CHR) 19 November 1998 (1998-11-19) page 1, line 15 -page 3, line 28; figures ---	2-8, 10-12
A	WO 98 52381 A (NEW TRANSDUCERS LTD ;AZIMA HENRY (GB); HARRIS NEIL (GB); ELLIS CHR) 19 November 1998 (1998-11-19) page 1, line 15 -page 3, line 28; figures ---	1,9
	-/--	

Further documents are listed in the continuation of box C.

Patent family members are listed in annex.

° Special categories of cited documents :

- \*A\* document defining the general state of the art which is not considered to be of particular relevance
- \*E\* earlier document but published on or after the international filing date
- \*L\* document which may throw doubts on priority claim(s) or which is cited to establish the publication date of another citation or other special reason (as specified)
- \*O\* document referring to an oral disclosure, use, exhibition or other means
- \*P\* document published prior to the international filing date but later than the priority date claimed

- \*T\* later document published after the international filing date or priority date and not in conflict with the application but cited to understand the principle or theory underlying the invention
- \*X\* document of particular relevance; the claimed invention cannot be considered novel or cannot be considered to involve an inventive step when the document is taken alone
- \*Y\* document of particular relevance; the claimed invention cannot be considered to involve an inventive step when the document is combined with one or more other such documents, such combination being obvious to a person skilled in the art.
- \*&\* document member of the same patent family

Date of the actual completion of the international search

18 December 2000

Date of mailing of the international search report

27/12/2000

Name and mailing address of the ISA

European Patent Office, P.B. 5818 Patentlaan 2  
NL - 2280 HV Rijswijk  
Tel. (+31-70) 340-2040, Tx. 31 651 epo nl,  
Fax: (+31-70) 340-3016

Authorized officer

Gastaldi, G

# INTERNATIONAL SEARCH REPORT

Intern. Patent Application No

PCT/GB 00/02353

## C.(Continuation) DOCUMENTS CONSIDERED TO BE RELEVANT

Category *	Citation of document, with indication, where appropriate, of the relevant passages	Relevant to claim No.
A	US 5 376 853 A (FUSHIMI ISAO) 27 December 1994 (1994-12-27) column 1, line 5 -column 3, line 68; figures -----	1,9
A	EP 0 881 856 A (SHINSEI CORP) 2 December 1998 (1998-12-02) column 2, line 52 -column 5, line 5; figures -----	1,9

# INTERNATIONAL SEARCH REPORT

Information on patent family members

Intern. Patent Application No

PCT/GB 00/02353

Patent document cited in search report	A	Publication date	Patent family member(s)	Publication date
WO 9709842	A	13-03-1997	AT 177579 T	15-03-1999
			AT 177574 T	15-03-1999
			AT 177580 T	15-03-1999
			AT 177575 T	15-03-1999
			AT 186617 T	15-11-1999
			AT 177581 T	15-03-1999
			AT 177582 T	15-03-1999
			AT 177583 T	15-03-1999
			AT 177578 T	15-03-1999
			AT 177576 T	15-03-1999
			AT 179297 T	15-05-1999
			AT 177577 T	15-03-1999
			AT 179563 T	15-05-1999
			AT 176826 T	15-03-1999
			AT 179045 T	15-04-1999
			AT 179296 T	15-05-1999
			AT 177281 T	15-03-1999
			AT 179564 T	15-05-1999
			AT 177282 T	15-03-1999
			AT 179043 T	15-04-1999
			AT 179044 T	15-04-1999
			AU 702865 B	11-03-1999
			AU 6880196 A	27-03-1997
			AU 702920 B	11-03-1999
			AU 6880296 A	27-03-1997
			AU 702867 B	11-03-1999
			AU 6880396 A	27-03-1997
			AU 703015 B	11-03-1999
			AU 6880496 A	27-03-1997
			AU 702863 B	11-03-1999
			AU 6880596 A	27-03-1997
			AU 702873 B	11-03-1999
			AU 6880696 A	27-03-1997
			AU 702999 B	11-03-1999
			AU 6880796 A	27-03-1997
			AU 703061 B	11-03-1999
			AU 6880896 A	27-03-1997
			AU 703000 B	11-03-1999
			AU 6880996 A	27-03-1997
			AU 703071 B	11-03-1999
			AU 6881096 A	27-03-1997
			AU 703058 B	11-03-1999
			AU 6881296 A	27-03-1997
			AU 705592 B	27-05-1999
			AU 6881396 A	27-03-1997
			AU 703296 B	25-03-1999
			AU 6881496 A	27-03-1997
			AU 699890 B	17-12-1998
			AU 6881596 A	27-03-1997
			AU 703198 B	18-03-1999
<hr style="border-top: 1px dashed black;"/>				
US 4654554	A	31-03-1987	JP 61192199 A	26-08-1986
			JP 1668181 C	29-05-1992
			JP 3032959 B	15-05-1991
			JP 62014599 A	23-01-1987
			JP 1668182 C	29-05-1992
			JP 3032960 B	15-05-1991
			JP 62014600 A	23-01-1987

# INTERNATIONAL SEARCH REPORT

Information on patent family members

Intern. Patent Application No

PCT/GB 00/02353

Patent document cited in search report	Publication date	Patent family member(s)	Publication date
US 4654554 A		JP 1668175 C	29-05-1992
		JP 3032958 B	15-05-1991
		JP 61065600 A	04-04-1986
		JP 1732663 C	17-02-1993
		JP 4022400 B	16-04-1992
		JP 61150500 A	09-07-1986
		DE 3531325 A	07-05-1986
		FR 2569931 A	07-03-1986
		FR 2574609 A	13-06-1986
		FR 2574610 A	13-06-1986
		GB 2166022 A	23-04-1986
WO 9852381 A	19-11-1998	AU 7439098 A	08-12-1998
		BR 9809642 A	11-07-2000
		CN 1255277 T	31-05-2000
		EP 0981928 A	01-03-2000
		ZA 9803986 A	19-02-1999
US 5376853 A	27-12-1994	DE 4232457 A	01-04-1993
		GB 2260466 A,B	14-04-1993
		HK 1006488 A	26-02-1999
		JP 2652600 B	10-09-1997
		JP 5211699 A	20-08-1993
		KR 9609001 B	10-07-1996
EP 0881856 A	02-12-1998	AU 4723597 A	15-05-1998
		US 6088464 A	11-07-2000
		WO 9818291 A	30-04-1998