



(12) **United States Design Patent**
Griffin et al.

(10) **Patent No.:** **US D1,028,515 S**
(45) **Date of Patent:** **** May 28, 2024**

(54) **CHILD RESISTANT STORAGE DEVICE**

FOREIGN PATENT DOCUMENTS

(71) Applicants: **Jeremy Griffin**, Lancaster, CA (US);
Jacob Griffin, Lancaster, CA (US)

CN 307145134 * 3/2022

(72) Inventors: **Jeremy Griffin**, Lancaster, CA (US);
Jacob Griffin, Lancaster, CA (US)

OTHER PUBLICATIONS

Small Pre-Roll Button Tin, available at customconesusa.com, date not available [online], site visited Mar. 6, 2024, available from the internet URL: <https://customconesusa.com/small-pre-roll-button-tin-white-300-per-case/> (Year: 2024).*

(**) Term: **15 Years**

(Continued)

(21) Appl. No.: **29/908,126**

(22) Filed: **Jan. 11, 2024**

Primary Examiner — April Rivas

(51) **LOC (14) Cl.** **03-01**

Assistant Examiner — Jillian Mazzola

(52) **U.S. Cl.**

(74) *Attorney, Agent, or Firm* — Todd R. Miller

USPC **D3/294**; D27/172

(58) **Field of Classification Search**

USPC D3/20, 21, 23, 24, 201, 203.1, 203.5,
D3/203.6, 203.7, 203.8, 205, 206, 215,
D3/218, 237, 263–265, 270, 271.8,
D3/273–276, 294–302, 318, 319,
D3/321–323, 901, 903; D7/601, 602,
D7/609, 635, 637, 638; D9/661, 662,
D9/700, 701, 738, 740, 741, 414, 415,
D9/424–427; D12/415, 423–426, 426.1;
D13/107, 108, 152, 184; D14/203.4,
D14/203.5, 203.6, 204, 205, 223, 229,
D14/251, 252, 509–511; D24/224–227,
D24/229; D27/172, 186; D99/28

CPC A45C 11/00; A45C 11/005; A45C 11/008;
A45C 11/16; A45C 11/34; A45C 11/36;
A45C 11/38; A45C 2011/001; A45C
2011/002; A45C 2011/003; A45C
2011/006; A45C 2011/007; A45C 13/002

See application file for complete search history.

(57) **CLAIM**

The ornamental design for a child resistant storage device, as shown and described.

DESCRIPTION

FIG. 1 is a top perspective view of a child resistant storage device in the closed position;
FIG. 2 is a bottom perspective view thereof;
FIG. 3 is a front view thereof;
FIG. 4 is a right side view thereof;
FIG. 5 is a rear view thereof;
FIG. 6 is a top view thereof;
FIG. 7 is a bottom view thereof;
FIG. 8 is a top perspective view of the child resistant storage device in the open position;
FIG. 9 is a bottom perspective view thereof;
FIG. 10 is a right side view thereof;
FIG. 11 is a rear view thereof;
FIG. 12 is a front view thereof;
FIG. 13 is a top view thereof; and,
FIG. 14 is a bottom view thereof.

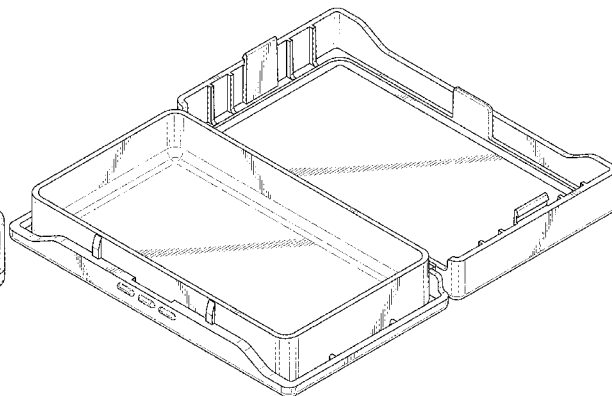
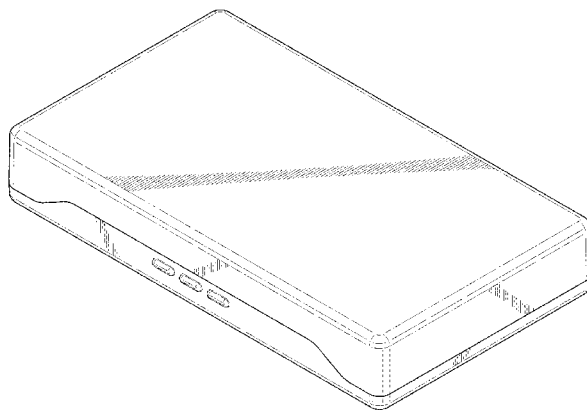
(56) **References Cited**

U.S. PATENT DOCUMENTS

D135,381 S * 3/1943 Hollis D3/205
D228,263 S * 8/1973 Jones D3/307
4,615,464 A * 10/1986 Byrns B29C 49/0031
220/4.23
D324,207 S * 2/1992 Nieves D13/184

(Continued)

1 Claim, 10 Drawing Sheets



(56)

References Cited

U.S. PATENT DOCUMENTS

D375,620 S * 11/1996 Chan D3/20
 D398,772 S * 9/1998 Benham D3/215
 D423,772 S * 5/2000 Cooper D3/218
 D477,912 S * 8/2003 Cunningham D3/273
 D502,808 S * 3/2005 Hepworth D3/276
 D539,644 S * 4/2007 Fuerst D9/431
 D573,015 S * 7/2008 Chen D9/425
 7,866,476 B2 1/2011 McGonagle
 D653,537 S 2/2012 Lee
 D661,083 S * 6/2012 Frierson D3/205
 D732,822 S 6/2015 Griffin
 D772,559 S * 11/2016 Binder D3/203.6
 10,124,941 B2 11/2018 Sibley
 D834,819 S 12/2018 Burek
 D878,197 S 3/2020 Griffin
 D887,137 S 6/2020 Burek
 D905,903 S * 12/2020 Ryczek D27/172
 D911,167 S 2/2021 Tsai
 D933,954 S 10/2021 Ludlow
 D941,523 S 1/2022 Elkind
 D945,883 S 3/2022 Griffin

D978,663 S * 2/2023 Griffin D9/432
 D989,618 S * 6/2023 Eales D9/425
 D996,803 S * 8/2023 Jiang D3/294

OTHER PUBLICATIONS

Hinged Tin, available at cannasupplies.ca, date not available [online], site visited Mar. 6, 2024, available from the internet URL: <https://cannasupplies.ca/product/hinged-tin-with-buttons/> (Year: 2024).
 CRATIV Child Resistant Snap Box Edible & Pre-Roll Joint Case, available at biohazardinc.com, date not available [online], site visited Mar. 6, 2024, available from the internet URL: <https://biohazardinc.com/products/child-resistant-snap-box-edible-pre-roll-joint-case-black-plastic-312-count> (Year: 2024).
 nb-pack.en.made-in-china.com, dated Jan. 8, 2024; available from Internet URL: <https://nb-pack.en.made-in-china.com/product/smJrRFZAOQhP/China-Po...tangular-Metal-Tin-Box-Custom-Child-Resistant-Hinged-Tin-Can.html> (10 pages).
 amazon.com, dated Jan. 8, 2024; available from Internet URL: <https://www.amazon.com/RVTUS-Silver-Rectangular-Resistant-Locking/dp/B0BWSQW4JK?th=1> (8 pages).

* cited by examiner

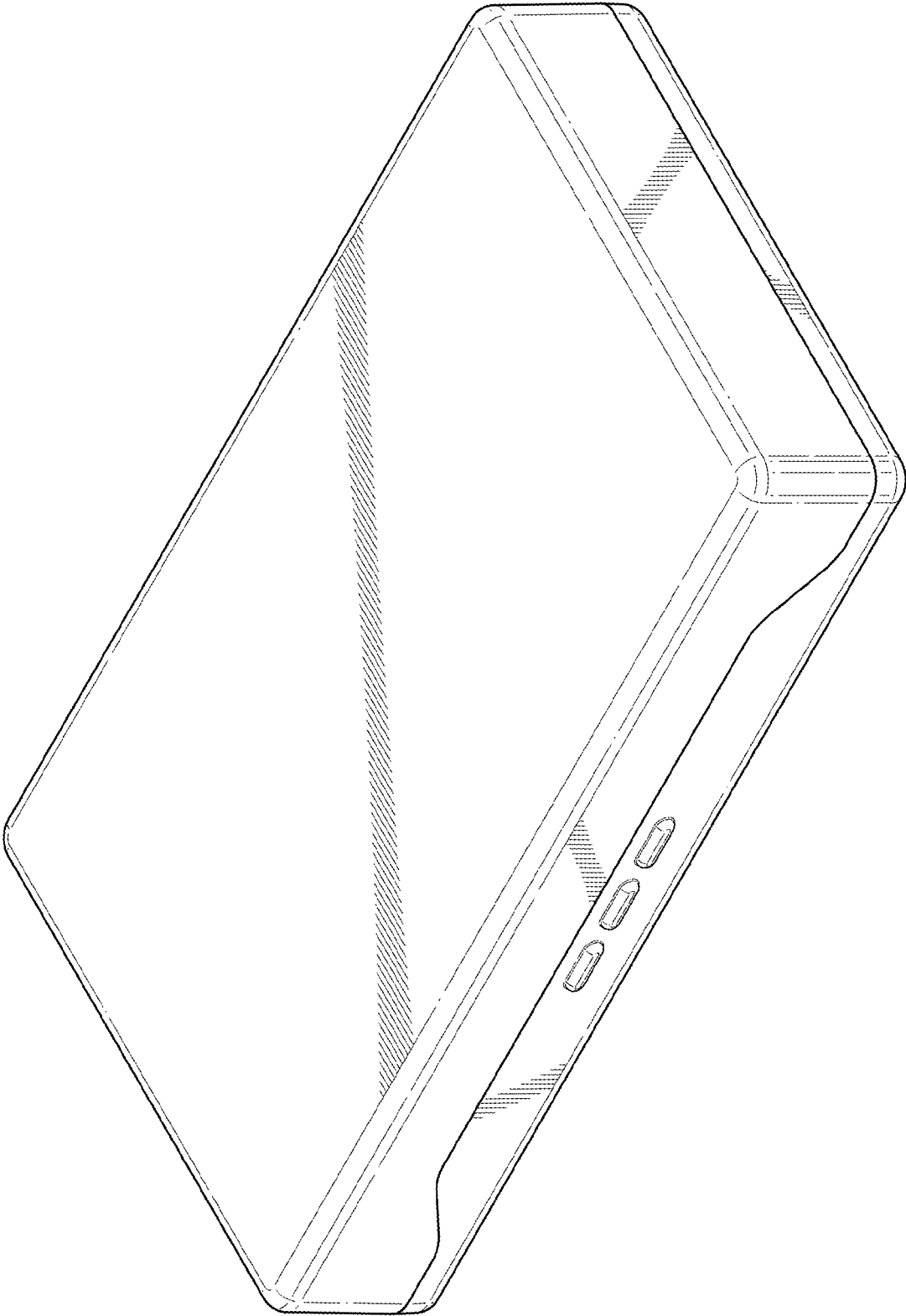


FIG. 1

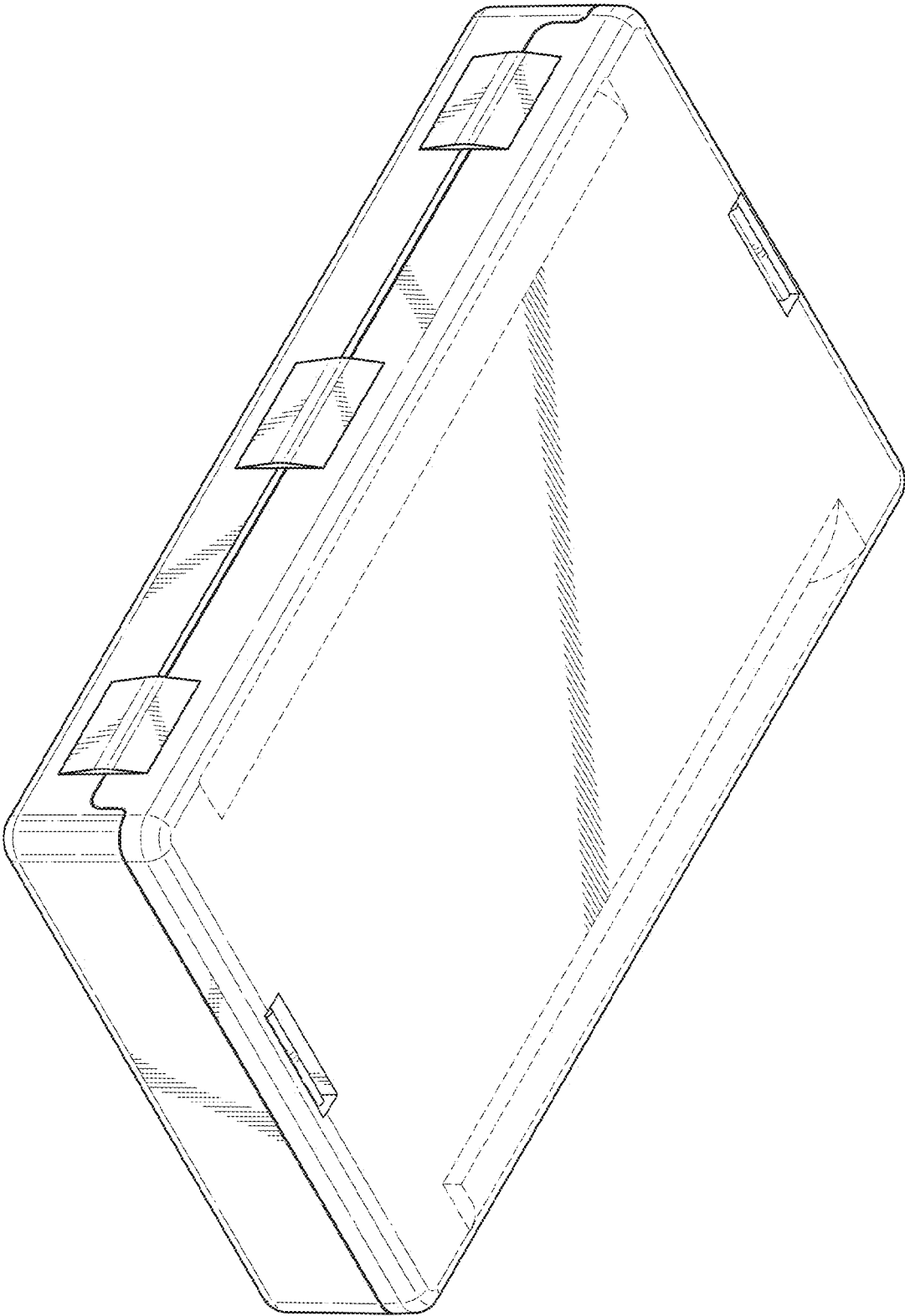


FIG. 2

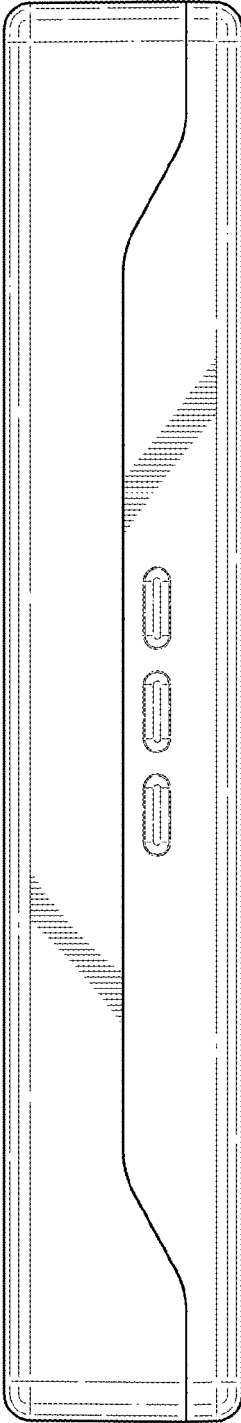


FIG. 3

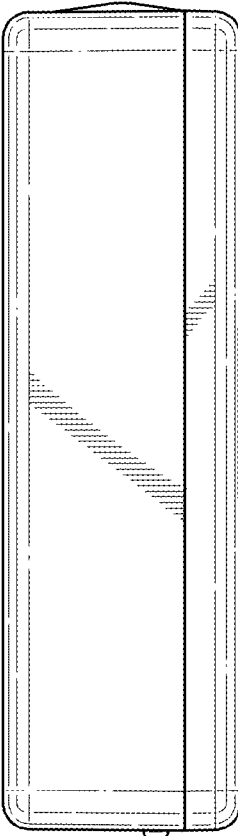


FIG. 4

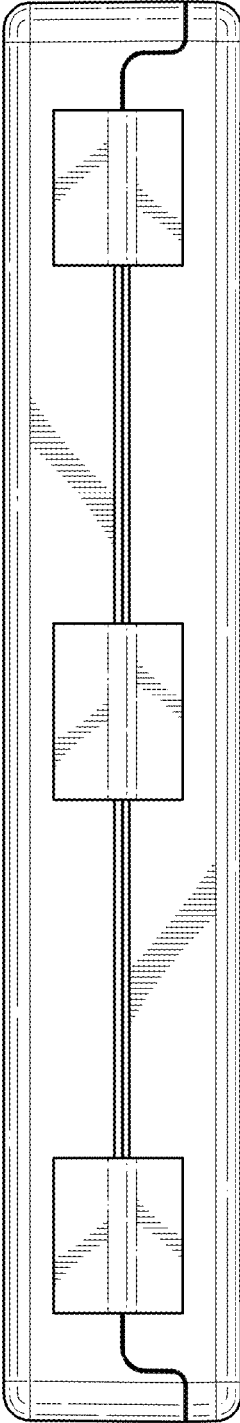


FIG. 5

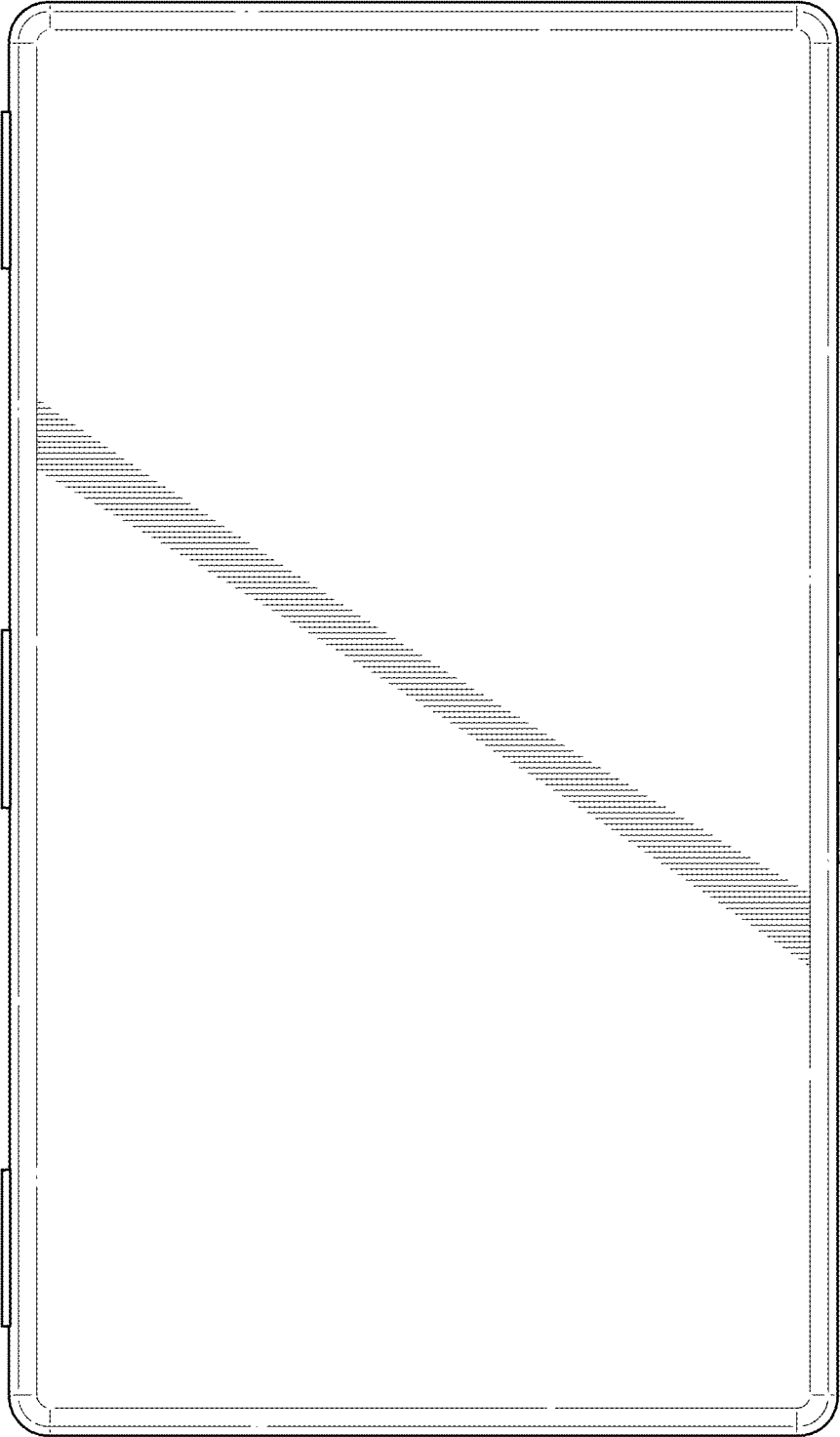


FIG. 6

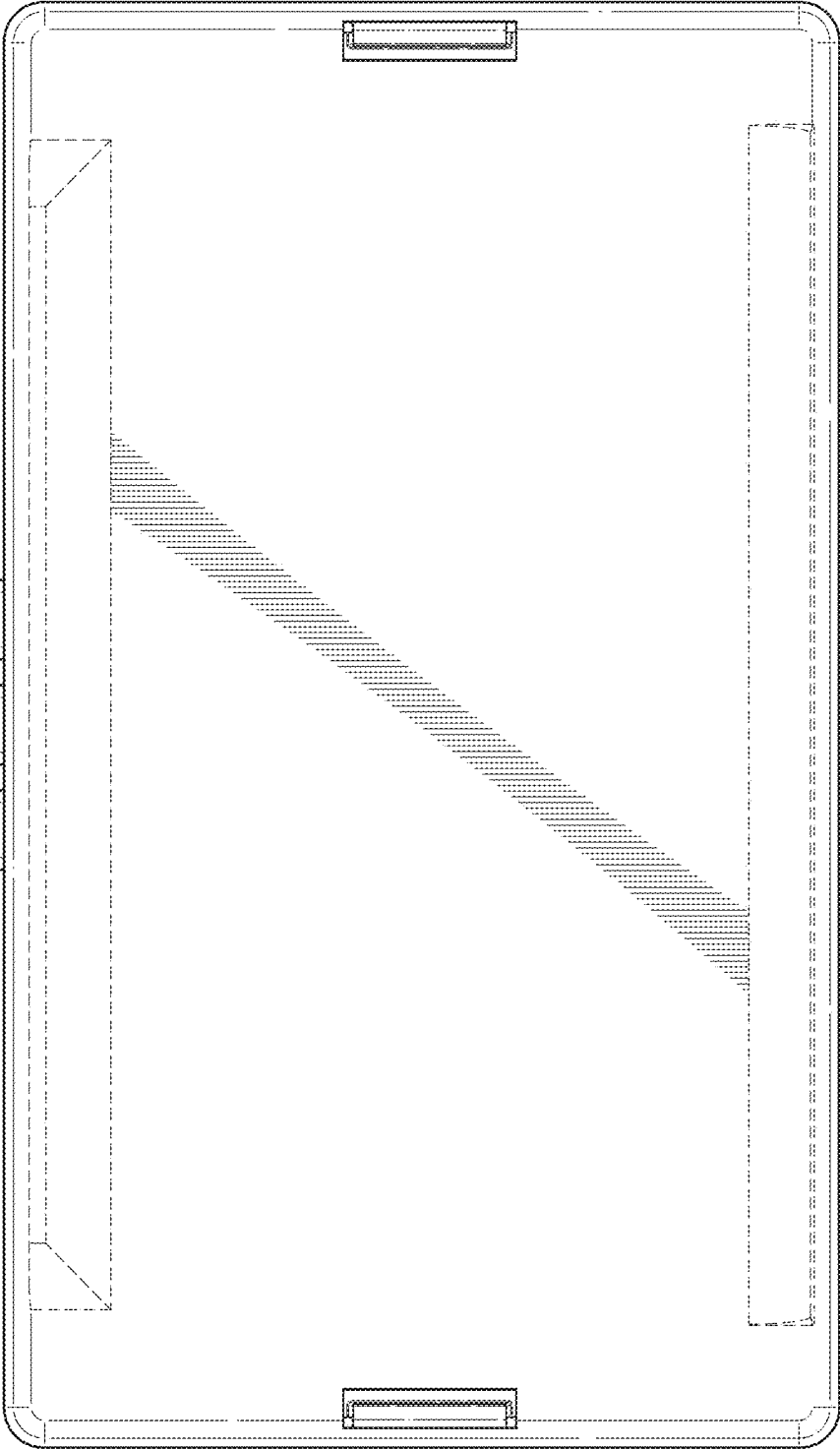


FIG. 7

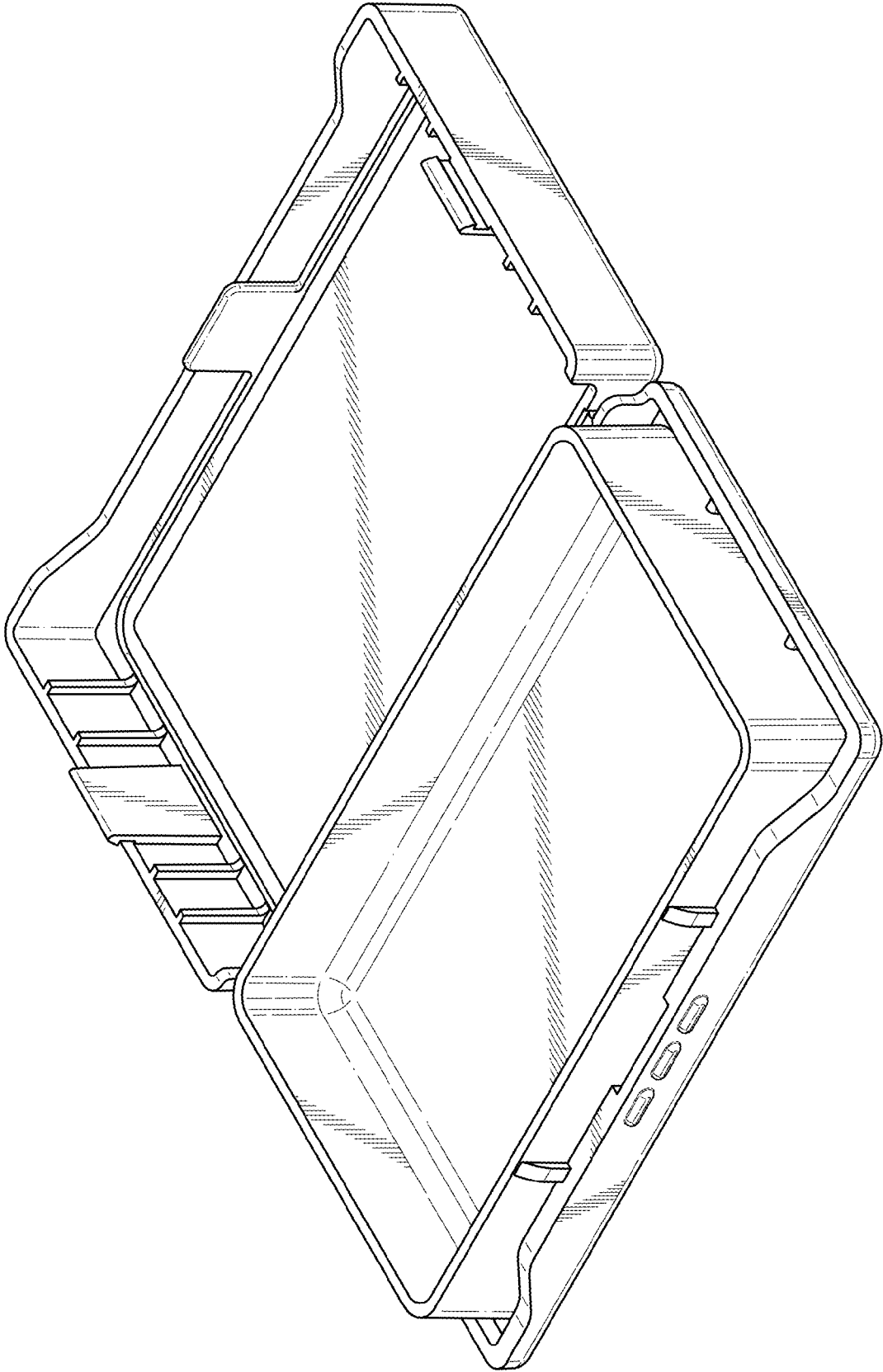


FIG. 8

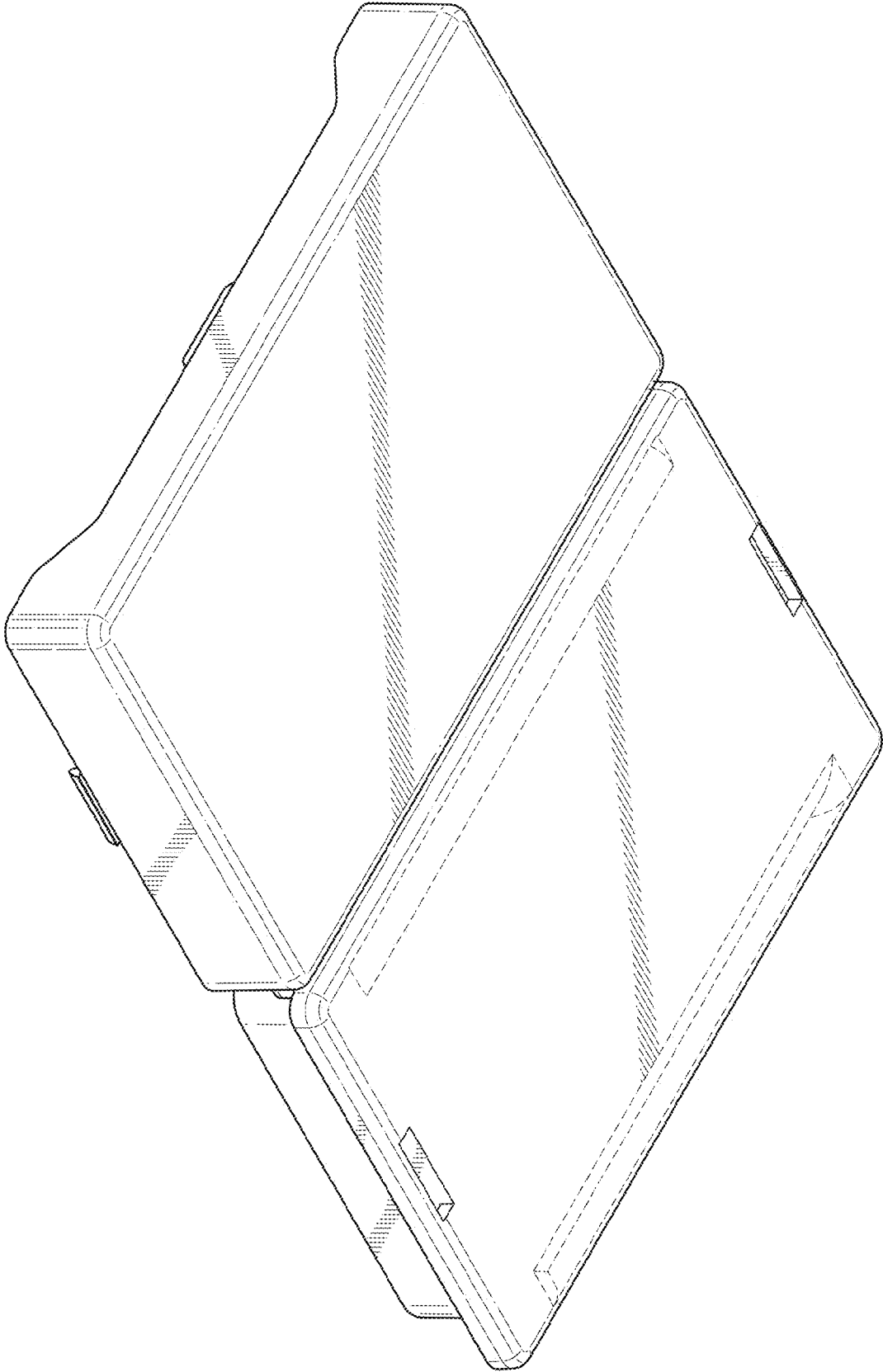


FIG. 9

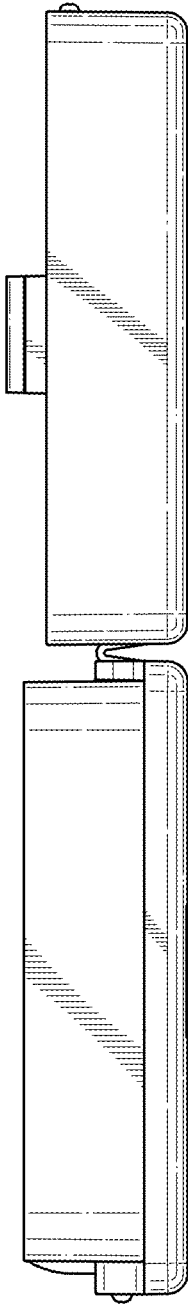


FIG. 10

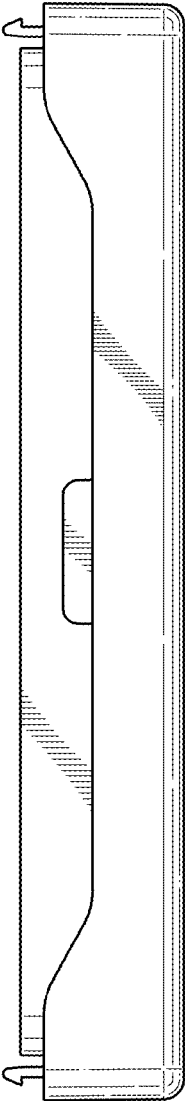


FIG. 11

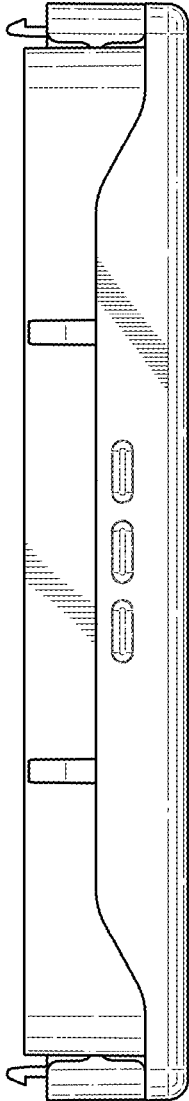


FIG. 12

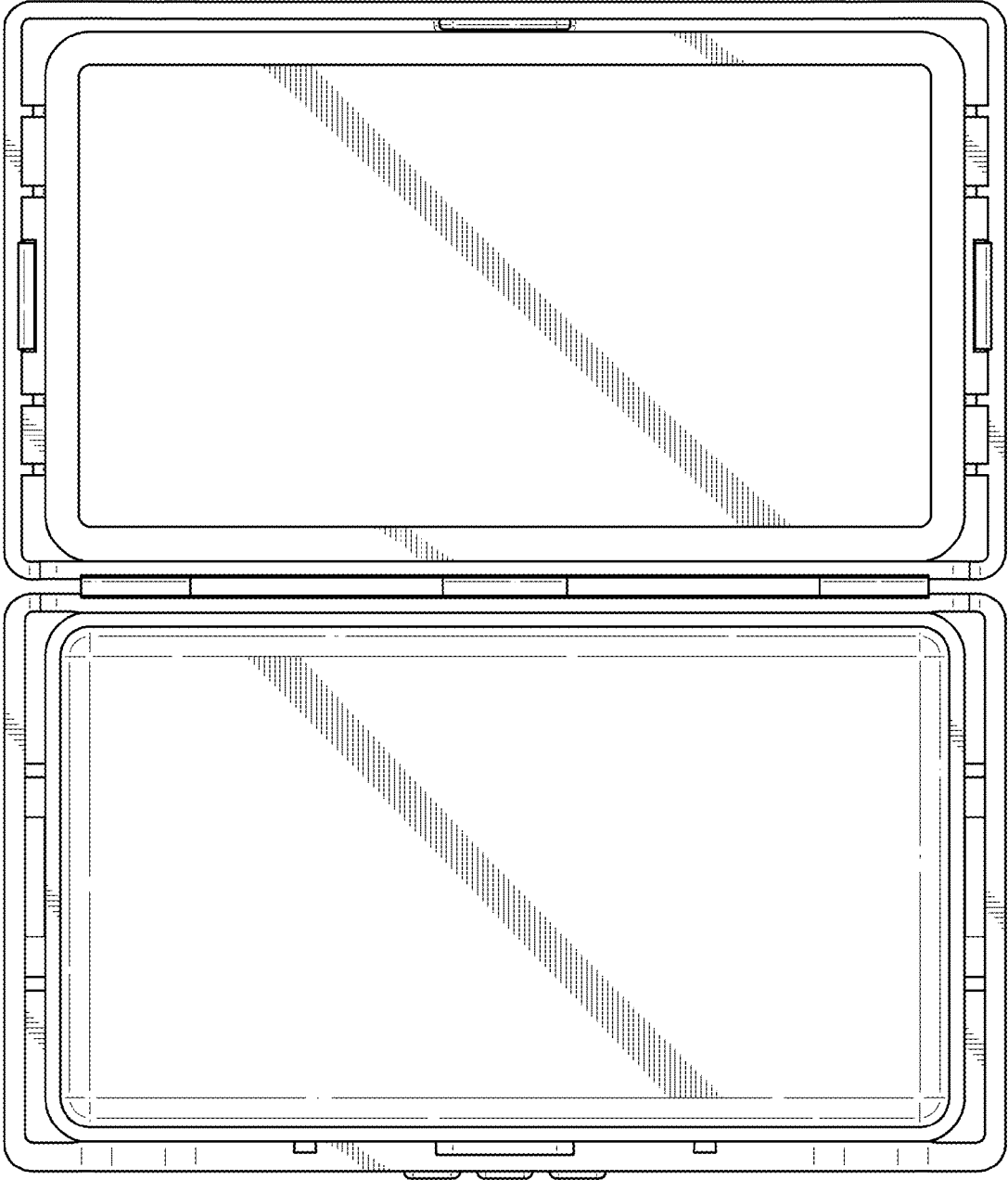


FIG. 13

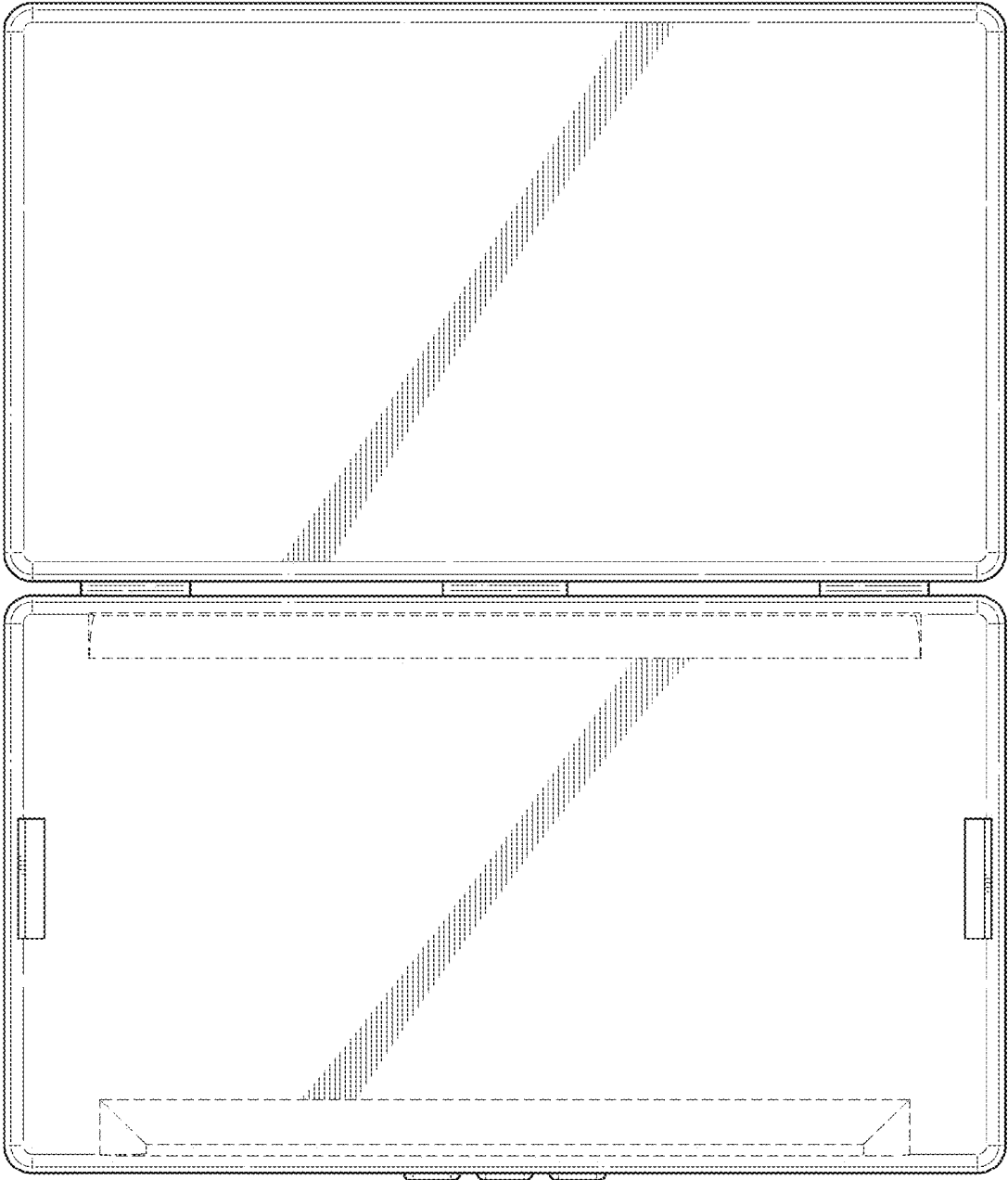


FIG. 14