



US00D994615S

(12) **United States Design Patent**
Choi

(10) **Patent No.:** **US D994,615 S**

(45) **Date of Patent:** **** Aug. 8, 2023**

- (54) **ELECTRICAL CONNECTOR**
- (71) Applicant: **YEONHO MS CO., LTD.**, Gwangju (KR)
- (72) Inventor: **Sung Wook Choi**, Seoul (KR)
- (73) Assignee: **YEONHO MS CO., LTD.**, Gwangju (KR)
- (**) Term: **15 Years**
- (21) Appl. No.: **29/800,742**
- (22) Filed: **Jul. 23, 2021**
- (30) **Foreign Application Priority Data**
Apr. 26, 2021 (KR) 30-2021-0020025
- (51) **LOC (14) Cl.** **13-03**
- (52) **U.S. Cl.**
USPC **D13/147**
- (58) **Field of Classification Search**
USPC D13/154, 146, 147, 123, 133,
D13/137.1–139.8, 110, 159, 184, 199,
D13/112, 101, 113–116, 122, 152, 156,
D13/151; D8/354, 356; D14/433
CPC H01R 2201/00; H01R 2201/02; H01R
2201/04; H01R 2201/06; H01R 2201/08;
H01R 2201/10; H01R 2201/12; H01R
2201/14; H01R 2201/16; H01R 2201/18;
H01R 2201/20; H01R 2201/22; H01R
2201/24; H01R 2201/26; H01R 24/62;
H01R 9/03; H01R 9/15; H01R 12/88;
H01R 12/89; H01R 13/26; H01R
13/62983; H01R 13/62994; H01R 13/659;
H01R 24/40; H01R 12/774; H01R 9/05
See application file for complete search history.

D533,507	S	*	12/2006	Suzuki	D13/147
D561,699	S	*	2/2008	Moritake	D13/147
D564,970	S	*	3/2008	Higuchi	D13/147
D606,495	S	*	12/2009	Hamauchi	D13/147
D607,410	S	*	1/2010	Ikari	D13/147
D628,164	S	*	11/2010	Mashima	D13/147
D629,759	S	*	12/2010	Hara	D13/147
D641,322	S	*	7/2011	Kurachi	D13/147
D645,824	S	*	9/2011	Kurachi	D13/147
D645,825	S	*	9/2011	Kurachi	D13/147
D647,057	S	*	10/2011	Lee	D13/147
D654,029	S	*	2/2012	Ozeki	D13/147
D669,860	S	*	10/2012	Sasaki	D13/147
D690,270	S	*	9/2013	Ozeki	D13/147
D697,484	S	*	1/2014	Kawakami	D13/147
D704,143	S	*	5/2014	Yoshisuji	D13/147
D705,739	S	*	5/2014	Yoshisuji	D13/147
D753,603	S	*	4/2016	Yokoo	D13/147
D755,725	S	*	5/2016	Honda	D13/147
D845,248	S	*	4/2019	Kitagawa	D13/147
D906,983	S	*	1/2021	Manba	D13/147

(Continued)

Primary Examiner — Bridget L Eland
(74) *Attorney, Agent, or Firm* — Ostrolenk Faber LLP

(57) **CLAIM**

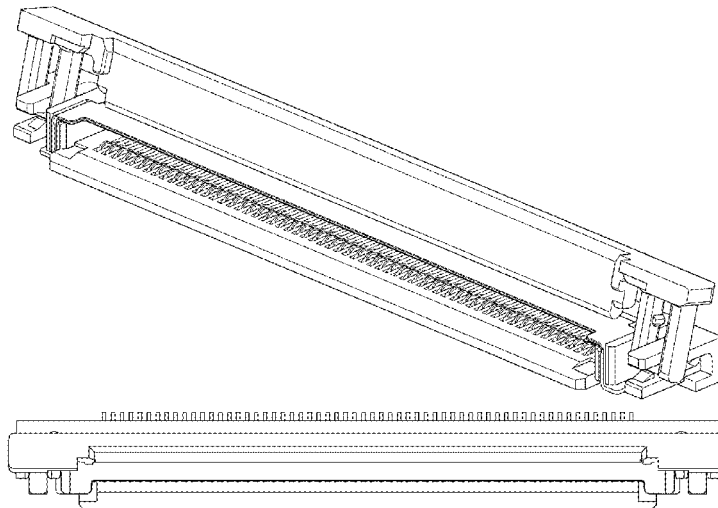
The ornamental design for an electrical connector, as shown and described.

DESCRIPTION

FIG. 1 is a perspective view of an electrical connector showing my new design;
FIG. 2 is a front view thereof;
FIG. 3 is a rear view thereof;
FIG. 4 is a left side view thereof;
FIG. 5 is a right side view thereof;
FIG. 6 is a top view thereof; and,
FIG. 7 is a bottom view thereof.

1 Claim, 6 Drawing Sheets

- (56) **References Cited**
U.S. PATENT DOCUMENTS
D472,219 S * 3/2003 Miura D13/147
D531,582 S * 11/2006 Suzuki D13/147



(56)

References Cited

U.S. PATENT DOCUMENTS

D941,244 S * 1/2022 Manba D13/133
2006/0019529 A1* 1/2006 Ko H01R 13/6275
439/497
2018/0069334 A1* 3/2018 Li H01R 12/716

* cited by examiner

FIG. 1

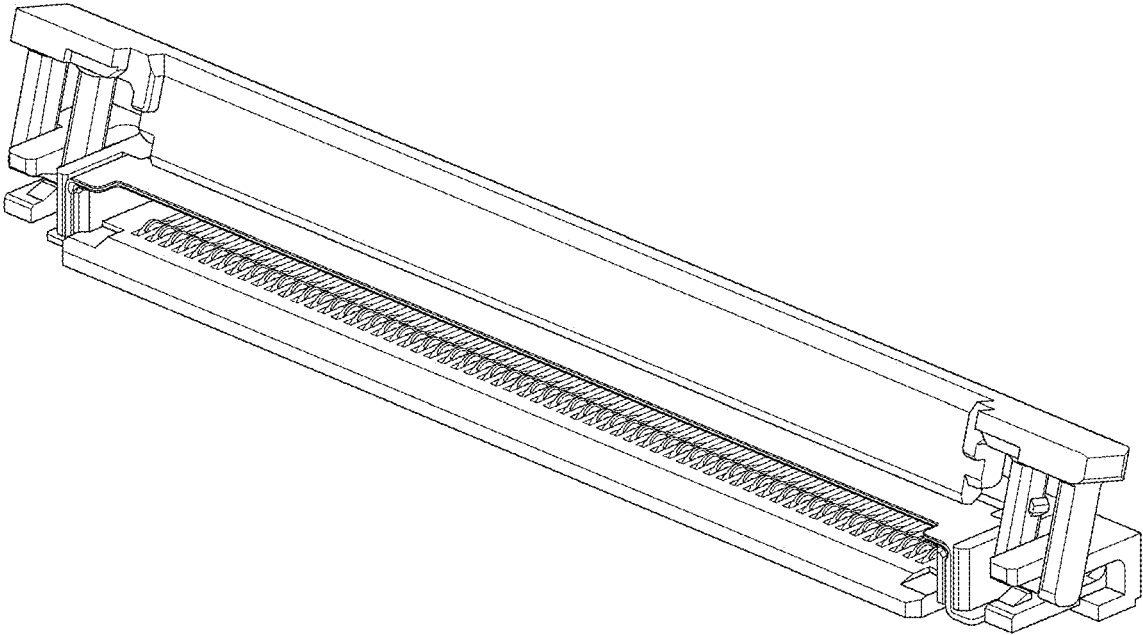


FIG. 2

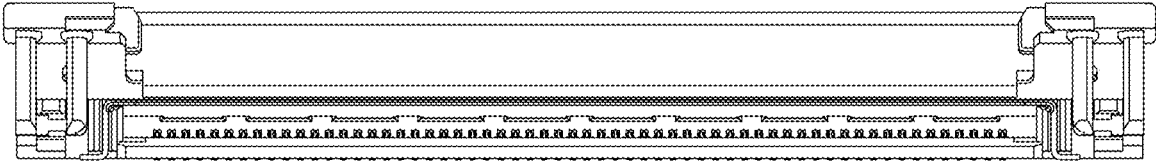


FIG. 3

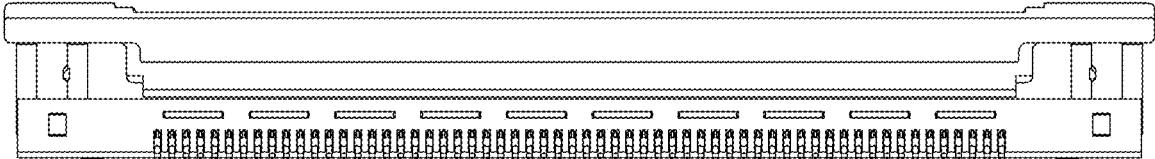


FIG. 4

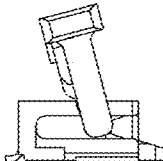


FIG. 5

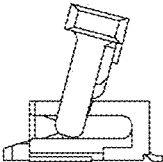


FIG. 6

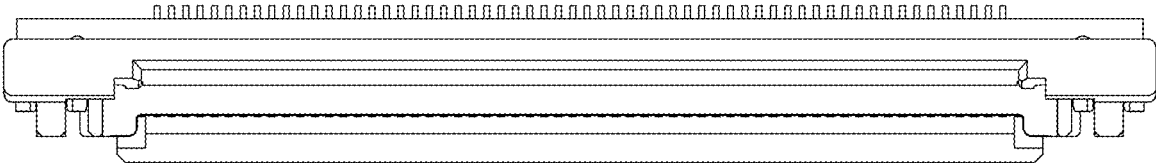


FIG. 7

