



US00D635142S

(12) **United States Design Patent**
Borislow

(10) **Patent No.:** **US D635,142 S**

(45) **Date of Patent:** **** *Mar. 29, 2011**

(54) **USB DEVICE FOR FACILITATING VOIP CALLS**

(75) Inventor: **Daniel M. Borislow**, Palm Beach, FL (US)

(73) Assignee: **YMax Communications Corp.**, West Palm Beach, FL (US)

(*) Notice: This patent is subject to a terminal disclaimer.

(**) Term: **14 Years**

(21) Appl. No.: **29/345,097**

(22) Filed: **Oct. 9, 2009**

Related U.S. Application Data

(63) Continuation-in-part of application No. 29/302,696, filed on Jan. 22, 2008, now Pat. No. Des. 603,864.

(51) **LOC (9) Cl.** **14-02**

(52) **U.S. Cl.** **D14/435.1**

(58) **Field of Classification Search** D14/356, D14/411, 433, 435.1, 436, 137, 155, 167, D14/168, 203.1–203.8, 240, 242, 299, 480.1–480.7, D14/484.1, 140, 218, 358, 217, 238.1; D3/201, D3/273; D13/107, 108, 149, 184, 168; 710/300, 710/301; 439/131, 135–147; 361/679.31, 361/679.33, 679.4, 752; 711/100, 115; 360/69; 379/220.01, 221.01–221.02, 25, 93.09, 93.15, 379/93.14, 156, 900; 455/550.1, 557
See application file for complete search history.

(56) **References Cited**

U.S. PATENT DOCUMENTS

1,226,727	A	5/1917	Wachtel
D248,470	S	7/1978	Talesfore
D257,345	S	10/1980	Levy
D264,347	S	5/1982	Peroni
D269,088	S	5/1983	Genaro et al.

D273,295	S	4/1984	Stewart
4,475,784	A *	10/1984	Lukawich 439/138
D280,317	S	8/1985	Boyd et al.
D281,600	S	12/1985	Claxton et al.
D291,310	S	8/1987	Ogura
D314,382	S	2/1991	Schied et al.
D321,174	S	10/1991	Tsuchiya
D339,807	S *	9/1993	Tattari et al. D14/240
D341,363	S *	11/1993	Chambers D14/240
5,371,349	A	12/1994	Kimura
D366,878	S *	2/1996	Wakabayashi et al. D14/242
5,515,515	A	5/1996	Kennedy et al.
D371,054	S	6/1996	Henderson
5,574,625	A *	11/1996	Ohgami et al. 361/679.09
5,574,859	A *	11/1996	Yeh 710/300
D376,146	S *	12/1996	Totsch D14/155
D383,732	S	9/1997	Haley et al.
D412,326	S	7/1999	Gianfagna et al.
D416,004	S	11/1999	Tanimura
6,005,774	A	12/1999	Chiba et al.
6,059,583	A	5/2000	Croft et al.
6,065,076	A	5/2000	Sorenson

(Continued)

Primary Examiner — Cathron C Brooks
Assistant Examiner — Karen E Kearney
(74) *Attorney, Agent, or Firm* — Arnold & Porter LLP

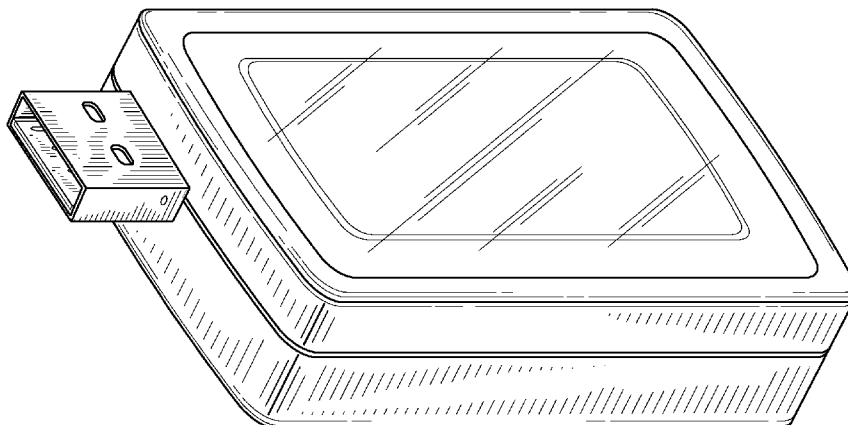
(57) **CLAIM**

The ornamental design for a USB device for facilitating VoIP calls, as shown and described.

DESCRIPTION

FIG. 1 is a top left perspective view of a USB device for facilitating VoIP calls, showing my new design;
FIG. 2 is a top view thereof;
FIG. 3 is a bottom view thereof;
FIG. 4 is a left side view thereof;
FIG. 5 is a right side view thereof;
FIG. 6 is a front view thereof;
FIG. 7 is a rear view thereof; and,
FIG. 8 is a top right perspective view thereof.

1 Claim, 6 Drawing Sheets



US D635,142 S

Page 2

U.S. PATENT DOCUMENTS							
				7,249,959	B2 *	7/2007	Pettersson et al. 439/142
D432,122	S	10/2000	Richter	D555,158	S	11/2007	Lo
6,167,183	A	12/2000	Swain	D556,211	S	11/2007	Howard
D435,841	S *	1/2001	Thousand D14/168	D558,460	S	1/2008	Yu et al.
6,217,351	B1	4/2001	Fung et al.	D559,249	S	1/2008	Takei
D441,735	S	5/2001	Katayama	D563,093	S *	3/2008	Nussberger D3/201
D445,422	S	7/2001	Hsin	7,338,328	B2	3/2008	Krieger et al.
6,297,448	B1	10/2001	Hara	D565,978	S	4/2008	Stevens et al.
D454,130	S	3/2002	Do et al.	D569,837	S	5/2008	Baik et al.
D463,426	S *	9/2002	Cheng D14/480.1	D570,844	S	6/2008	Liu et al.
6,567,273	B1	5/2003	Liu et al.	D575,760	S	8/2008	Kim et al.
6,665,201	B1	12/2003	Spencer et al.	7,407,393	B2	8/2008	Ni et al.
6,676,420	B1	1/2004	Liu et al.	D577,353	S	9/2008	Kim et al.
D486,479	S	2/2004	Chung	D577,703	S	9/2008	Lee et al.
D486,824	S	2/2004	Chung	D577,704	S	9/2008	Park et al.
D487,086	S	2/2004	Chung	D579,930	S	11/2008	Maskatia
D487,458	S	3/2004	Gentil et al.	D580,931	S	11/2008	Chang et al.
6,705,890	B2	3/2004	Kitou et al.	7,452,231	B2	11/2008	Wan
D490,402	S	5/2004	Jung et al.	D583,342	S	12/2008	Kim et al.
D491,563	S	6/2004	Sato et al.	D583,345	S	12/2008	Kim et al.
6,772,233	B2	8/2004	Iida et al.	D584,711	S	1/2009	Kim et al.
6,804,749	B2	10/2004	Chien et al.	D584,738	S	1/2009	Kim et al.
6,808,400	B2	10/2004	Tu	D587,265	S	2/2009	Maiers et al.
D502,173	S	2/2005	Jung et al.	D587,668	S	3/2009	Bang et al.
6,908,038	B1	6/2005	Le	D592,649	S *	5/2009	L'Henaff et al. D14/240
D509,214	S *	9/2005	Chung D14/240	D595,223	S *	6/2009	Yamamoto et al. D13/108
D511,344	S	11/2005	Takei	D599,795	S *	9/2009	Lindley D14/358
D511,770	S	11/2005	Chung	D603,864	S *	11/2009	Borislow D14/435.1
D514,103	S	1/2006	Huang et al.	D606,549	S *	12/2009	He D14/480.7
D517,065	S	3/2006	Ko et al.	D610,538	S *	2/2010	Wu et al. D13/103
D522,520	S	6/2006	Hsu	2001/0053634	A1	12/2001	Camacho
7,104,816	B1	9/2006	Wang	2002/0083239	A1	6/2002	Iida et al.
7,121,846	B2	10/2006	Katayanagi	2003/0045176	A1	3/2003	Liu
D532,785	S	11/2006	Lo et al.	2003/0063196	A1	4/2003	Palatov et al.
D532,791	S	11/2006	Kim	2003/0093606	A1	5/2003	Mambakkam et al.
7,151,673	B2	12/2006	Le et al.	2005/0107137	A1	5/2005	Byun et al.
D535,281	S	1/2007	Yang	2005/0161513	A1	7/2005	Huang et al.
D537,036	S	2/2007	Chen	2005/0210168	A1	9/2005	Chen et al.
D537,088	S	2/2007	Liu	2006/0208066	A1	9/2006	Finn et al.
D540,203	S	4/2007	Jeon	2007/0265031	A1	11/2007	Koizumi et al.
D541,785	S	5/2007	Hwang et al.	2007/0287512	A1	12/2007	Kilpi et al.
D543,876	S	6/2007	Kalis et al.	2008/0144270	A1	6/2008	Dal Porto et al.
D543,981	S	6/2007	Diebel				
D545,311	S	6/2007	Wai				

* cited by examiner

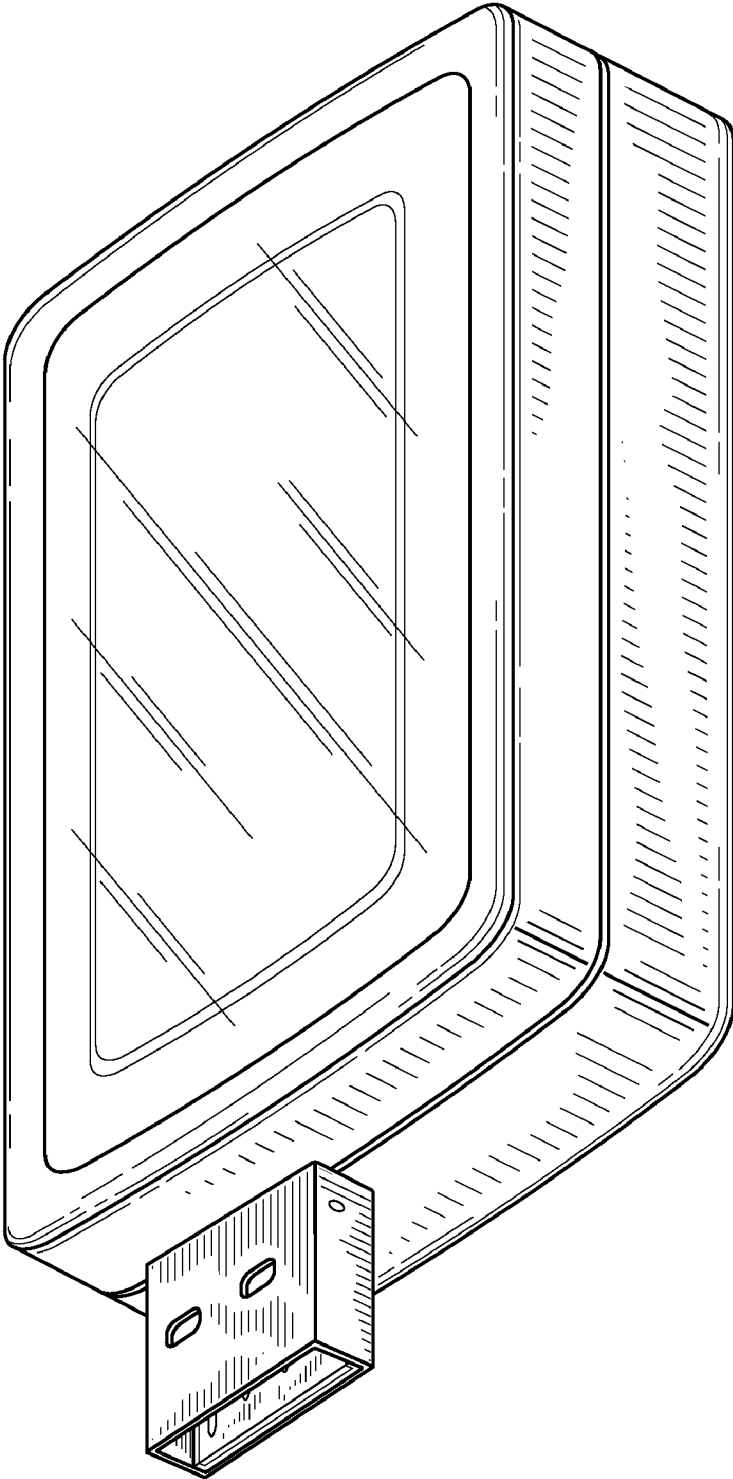


FIG. 1

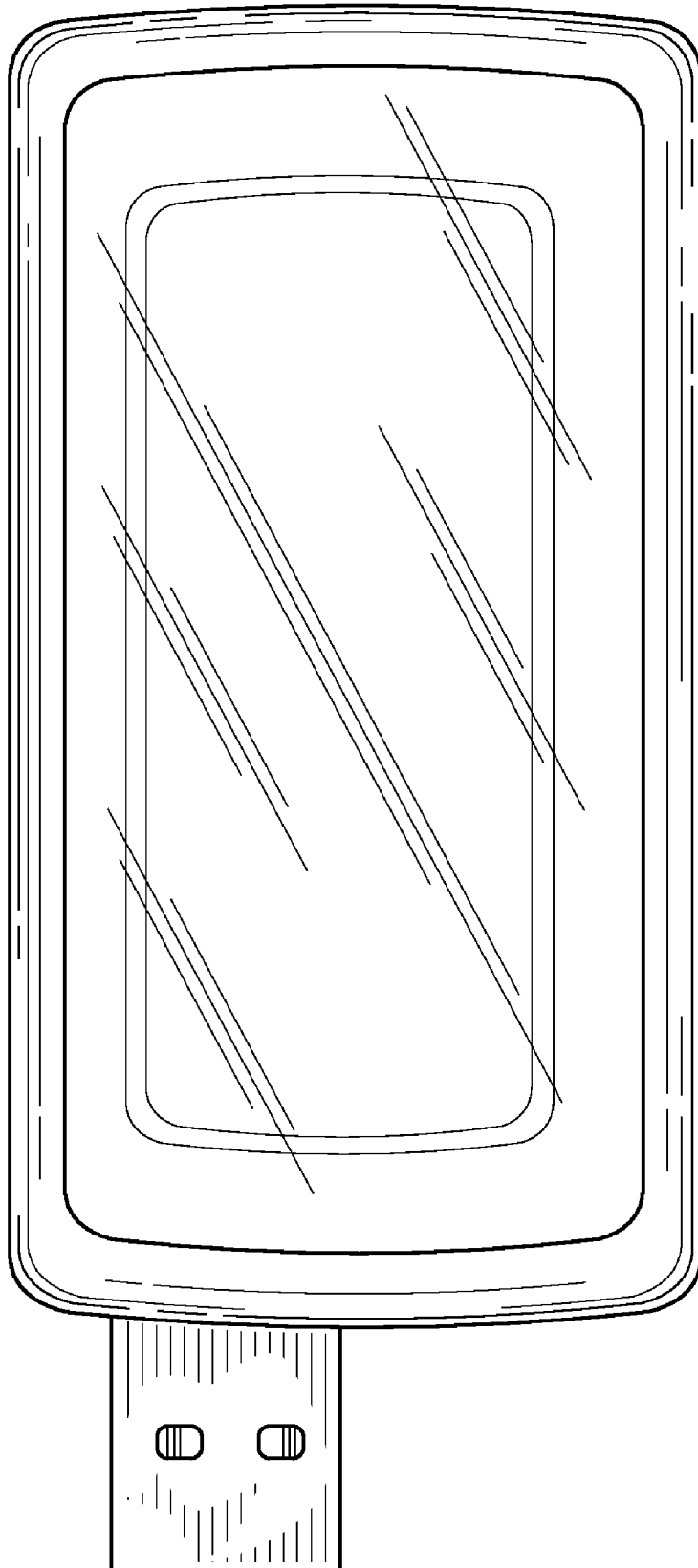


FIG. 2

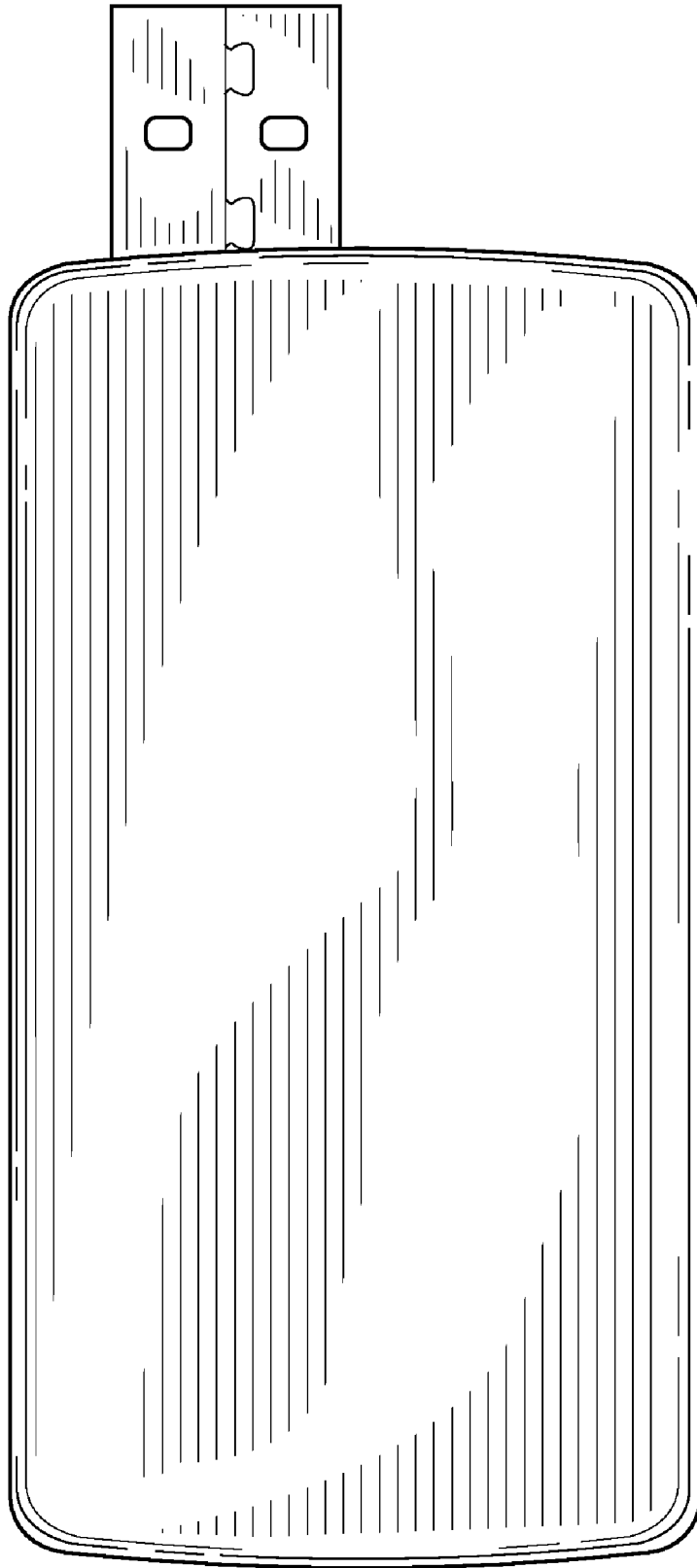


FIG. 3

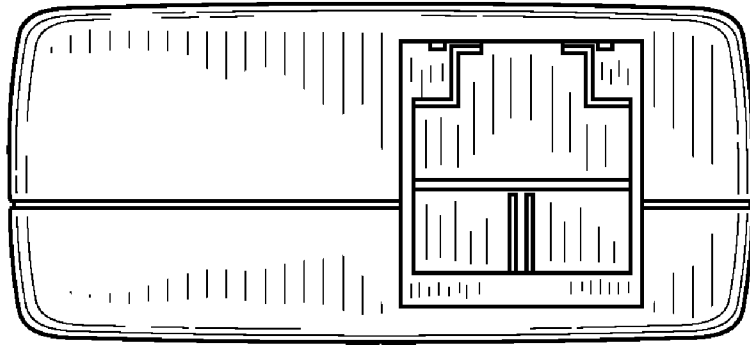


FIG. 5

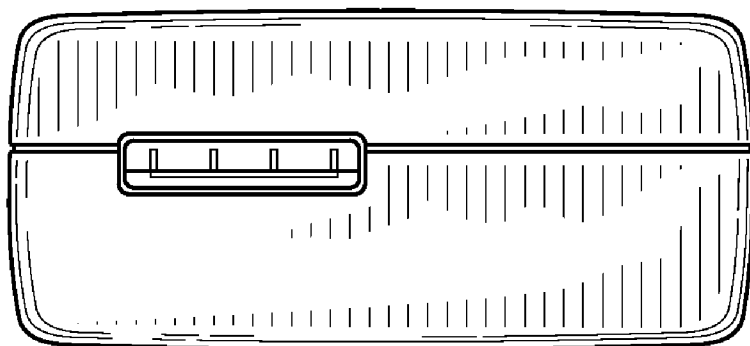


FIG. 4

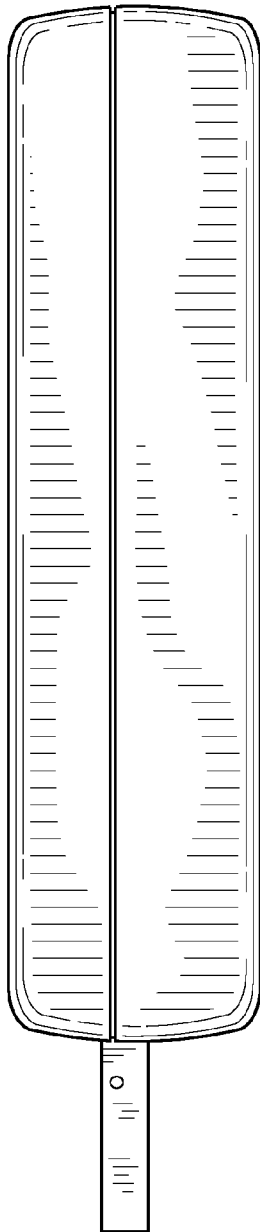


FIG. 6

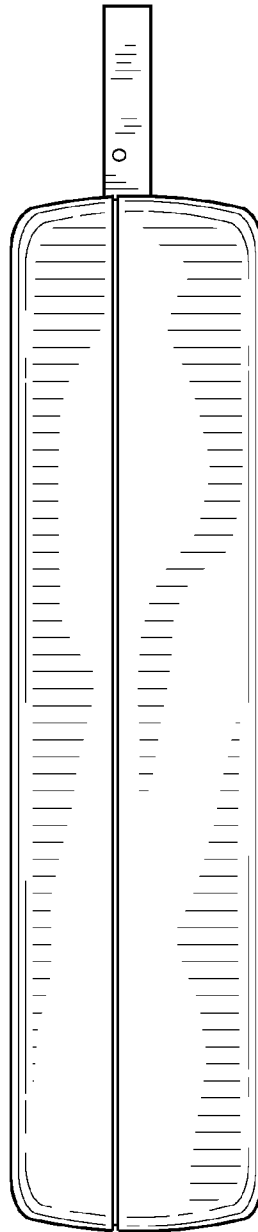


FIG. 7

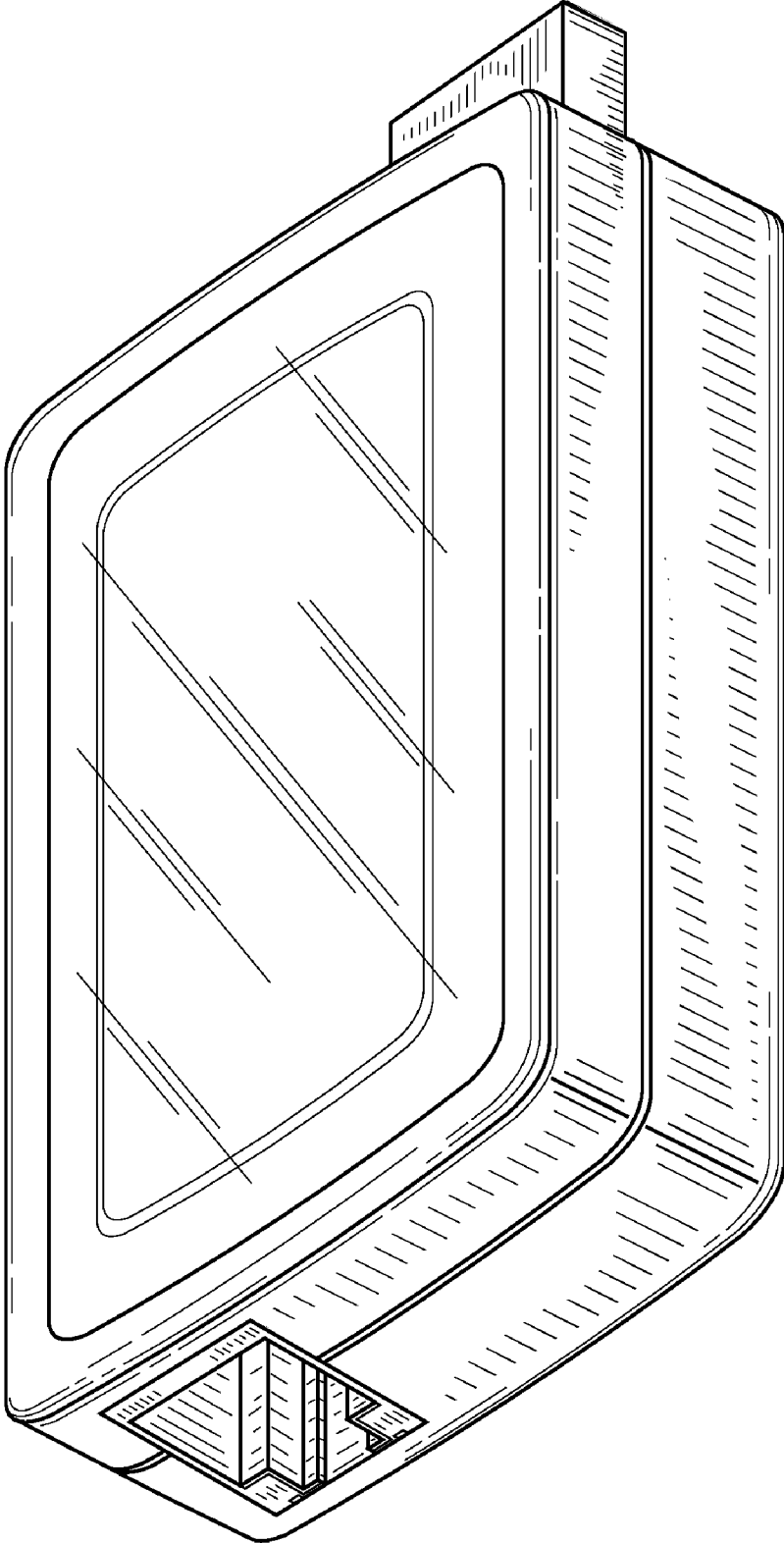


FIG. 8