

(19) World Intellectual Property Organization
International Bureau



(43) International Publication Date
9 March 2006 (09.03.2006)

PCT

(10) International Publication Number
WO 2006/026010 A3

(51) International Patent Classification:
H01L 21/336 (2006.01) H01L 29/10 (2006.01)
H01L 29/78 (2006.01)

(74) Agents: TROP, Timothy, N. et al.; TROP, PRUNER & HU, P.C., 1616 S. Voss Rd., Suite 750, Houston, Texas 77057-2631 (US).

(21) International Application Number:
PCT/US2005/027102

(81) Designated States (unless otherwise indicated, for every kind of national protection available): AE, AG, AL, AM, AT, AU, AZ, BA, BB, BG, BR, BW, BY, BZ, CA, CH, CN, CO, CR, CU, CZ, DE, DK, DM, DZ, EC, EE, EG, ES, FI, GB, GD, GE, GH, GM, HR, HU, ID, IL, IN, IS, JP, KE, KG, KM, KP, KR, KZ, LC, LK, LR, LS, LT, LU, LV, MA, MD, MG, MK, MN, MW, MX, MZ, NA, NG, NI, NO, NZ, OM, PG, PH, PL, PT, RO, RU, SC, SD, SE, SG, SK, SL, SM, SY, TJ, TM, TN, TR, TT, TZ, UA, UG, US, UZ, VC, VN, YU, ZA, ZM, ZW.

(22) International Filing Date: 29 July 2005 (29.07.2005)

(25) Filing Language: English

(26) Publication Language: English

(30) Priority Data:
10/925,566 25 August 2004 (25.08.2004) US

(71) Applicant (for all designated States except US): INTEL CORPORATION [US/US]; 2200 Mission College Boulevard, Santa Clara, California 95052 (US).

(84) Designated States (unless otherwise indicated, for every kind of regional protection available): ARIPO (BW, GH, GM, KE, LS, MW, MZ, NA, SD, SL, SZ, TZ, UG, ZM, ZW), Eurasian (AM, AZ, BY, KG, KZ, MD, RU, TJ, TM), European (AT, BE, BG, CH, CY, CZ, DE, DK, EE, ES, FI, FR, GB, GR, HU, IE, IS, IT, LT, LU, LV, MC, NL, PL, PT, RO, SE, SI, SK, TR), OAPI (BF, BJ, CF, CG, CI, CM, GA, GN, GQ, GW, ML, MR, NE, SN, TD, TG).

(72) Inventors; and

(75) Inventors/Applicants (for US only): LINDERT, Nick [US/US]; 16827 NW ARIZONA DR, BEAVERTON, Oregon 97006 (US). DATTA, Suman [IN/US]; 16659 NW TALKINGSTICK WAY, BEAVERTON, Oregon 97006 (US). KAVALIEROS, Jack [US/US]; 14260 NW BELLE COURT, PORTLAND, Oregon 97229 (US). DOCZY, Mark [US/US]; 2922 NW NORWALK PLACE, BEAVERTON, Oregon 97006 (US). METZ, Matthew [US/US]; 3136 NE 13TH AVE., HILLSBORO, Oregon 97124 (US). BRASK, Justin [US/US]; 12748 NW BAYONNE LANE, Portland, Oregon 97229 (US). CHAU, Robert [US/US]; 8875 SW 171ST AVENUE, BEAVERTON, Oregon 97007 (US). BOHR, Mark [US/US]; 19475 SW SUNCREST LANE, ALOHOA, Oregon 97007 (US). MURTHY, Anand [IN/US]; 10934 N.W. LUCERNE COURT, PORTLAND, Oregon 97229 (US).

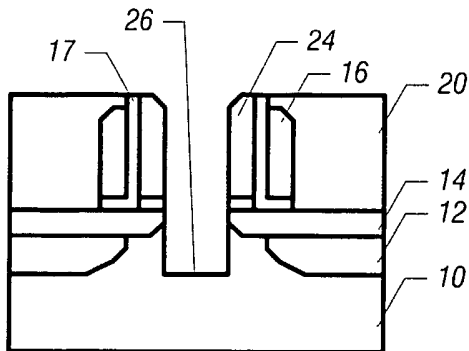
Published:

- with international search report
- before the expiration of the time limit for amending the claims and to be republished in the event of receipt of amendments

(88) Date of publication of the international search report:
26 October 2006

For two-letter codes and other abbreviations, refer to the "Guidance Notes on Codes and Abbreviations" appearing at the beginning of each regular issue of the PCT Gazette.

(54) Title: FORMING ABRUPT SOURCE DRAIN METAL GATE TRANSISTORS



(57) Abstract: A gate structure may be utilized as a mask to form source and drain regions. Then the gate structure may be removed to form a gap and spacers may be formed in the gap to define a trench. In the process of forming a trench into the substrate, a portion of the source drain region is removed. Then the substrate is filled back up with an epitaxial material and a new gate structure is formed thereover. As a result, more abrupt source drain junctions may be achieved.

WO 2006/026010 A3

INTERNATIONAL SEARCH REPORT

Inter application No
PCT/US2005/027102

A. CLASSIFICATION OF SUBJECT MATTER
 INV. H01L21/336 H01L29/78 H01L29/10

According to International Patent Classification (IPC) or to both national classification and IPC

B. FIELDS SEARCHED

Minimum documentation searched (classification system followed by classification symbols)
 H01L

Documentation searched other than minimum documentation to the extent that such documents are included in the fields searched

Electronic data base consulted during the international search (name of data base and, where practical, search terms used)
 EPO-Internal, PAJ

C. DOCUMENTS CONSIDERED TO BE RELEVANT

Category*	Citation of document, with indication, where appropriate, of the relevant passages	Relevant to claim No.
X	US 2002/037619 A1 (SUGIHARA KOHEI ET AL) 28 March 2002 (2002-03-28) paragraphs [0100] - [0104], [0106], [0109], [0113] - [0115]; figures 1-12	1-16
X	PATENT ABSTRACTS OF JAPAN vol. 2000, no. 06, 22 September 2000 (2000-09-22) -& JP 2000 077658 A (TOSHIBA CORP), 14 March 2000 (2000-03-14) abstract; figures	1-16
X	US 2002/001930 A1 (LEE JUNG HO) 3 January 2002 (2002-01-03) paragraphs [0021] - [0025], [0028], [0031], [0032]; figures 2a-2f	1-16
	----- -/--	

Further documents are listed in the continuation of Box C.

See patent family annex.

* Special categories of cited documents :

- *A* document defining the general state of the art which is not considered to be of particular relevance
- *E* earlier document but published on or after the international filing date
- *L* document which may throw doubts on priority claim(s) or which is cited to establish the publication date of another citation or other special reason (as specified)
- *O* document referring to an oral disclosure, use, exhibition or other means
- *P* document published prior to the international filing date but later than the priority date claimed

- *T* later document published after the international filing date or priority date and not in conflict with the application but cited to understand the principle or theory underlying the invention
- *X* document of particular relevance; the claimed invention cannot be considered novel or cannot be considered to involve an inventive step when the document is taken alone
- *Y* document of particular relevance; the claimed invention cannot be considered to involve an inventive step when the document is combined with one or more other such documents, such combination being obvious to a person skilled in the art.
- *8* document member of the same patent family

Date of the actual completion of the international search

11 August 2006

Date of mailing of the international search report

21/08/2006

Name and mailing address of the ISA/

European Patent Office, P.B. 5818 Patentlaan 2
 NL - 2280 HV Rijswijk
 Tel. (+31-70) 340-2040, Tx. 31 651 epo nl,
 Fax: (+31-70) 340-3016

Authorized officer

Ott, A

INTERNATIONAL SEARCH REPORT

Intern. application No
PCT/US2005/027102

C(Continuation). DOCUMENTS CONSIDERED TO BE RELEVANT		
Category*	Citation of document, with indication, where appropriate, of the relevant passages	Relevant to claim No.
A	EP 1 391 939 A (SONY CORPORATION) 25 February 2004 (2004-02-25) paragraphs [0048], [0049]; figures 2f,2g -----	5,6

INTERNATIONAL SEARCH REPORT

Intern'l application No
PCT/US2005/027102

Patent document cited in search report	Publication date	Patent family member(s)	Publication date
US 2002037619 A1	28-03-2002	JP 2002100762 A	05-04-2002
JP 2000077658 A	14-03-2000	NONE	
US 2002001930 A1	03-01-2002	KR 2002002093 A	09-01-2002
EP 1391939 A	25-02-2004	WO 02101835 A1	19-12-2002
		JP 2002353445 A	06-12-2002
		TW 560069 B	01-11-2003
		US 2004009644 A1	15-01-2004