



US00D748929S

(12) **United States Design Patent**
Liber

(10) **Patent No.:** **US D748,929 S**

(45) **Date of Patent:** **** Feb. 9, 2016**

(54) **COLLAPSIBLE CHANGING MAT**
(71) Applicant: **Erich Liber**, Denver, CO (US)
(72) Inventor: **Erich Liber**, Denver, CO (US)

(**) Term: **14 Years**
(21) Appl. No.: **29/482,911**

(22) Filed: **Feb. 24, 2014**
(51) **LOC (10) Cl.** **06-09**
(52) **U.S. Cl.**

USPC **D6/595**
(58) **Field of Classification Search**
USPC D6/349, 355, 375, 512, 595, 596, 601,
D6/611, 604, 715, 716, 716.1; D21/803,
D21/804, 805, 809; D24/183-185, 234;
5/401, 417, 419, 420, 600, 625,
5/630-636, 638, 639, 646, 652, 653, 655,
5/655.4, 690, 703, 730, 933, 946, 947;
128/202.18, 845; 297/180.11, 393,
297/397, 452.26, 452.48, 452.62, 482;
441/127; 602/13; D30/118
CPC A47G 9/10; A47G 9/1009; A47G 9/1018;
A47G 9/1027; A47G 9/1036; A47G 9/1045;
A47G 9/1063; A47G 9/1072; A47G 9/1081;
A47G 9/109

See application file for complete search history.

(56) **References Cited**

U.S. PATENT DOCUMENTS

4,466,146	A *	8/1984	Regan	5/98.3
5,439,128	A *	8/1995	Fishman	220/8
5,662,065	A *	9/1997	Bandimere et al.	119/28.5
5,881,402	A *	3/1999	Devino et al.	4/494
D451,975	S *	12/2001	Gordon	D21/803
6,408,463	B1 *	6/2002	Palacio	5/424
7,032,258	B2 *	4/2006	O'Hanlon	4/487

D605,817	S *	12/2009	LeCoq	D30/129
8,434,178	B2 *	5/2013	Sobran et al.	5/739
8,479,334	B1 *	7/2013	Leach	5/655
2006/0236461	A1 *	10/2006	Ryan	5/655
2007/0163733	A1 *	7/2007	Phillips	160/351
2008/0180818	A1 *	7/2008	Losee	359/803
2008/0216752	A1 *	9/2008	Song	119/28.5
2009/0106894	A1 *	4/2009	Yeo	5/93.1
2011/0209716	A1 *	9/2011	Scarsbrook	128/872
2011/0248040	A1 *	10/2011	McGregor	220/666
2011/0303659	A1 *	12/2011	Perlman	220/8
2012/0167312	A1 *	7/2012	Sobran et al.	5/739
2013/0092205	A1 *	4/2013	Leung et al.	135/90
2013/0277364	A1 *	10/2013	Kusuma et al.	220/8

* cited by examiner

Primary Examiner — Barbara Fox

Assistant Examiner — Jennifer L Rempfer

(74) *Attorney, Agent, or Firm* — William W. Cochran;
Cochran Freund & Young LLC

(57) **CLAIM**

The ornamental design for a collapsible changing mat, as shown and described.

DESCRIPTION

FIG. 1 is a top isometric view of a collapsible changing mat showing the new design.

FIG. 2 is a top isometric view thereof in a partially collapsed position.

FIG. 3 is a top isometric view thereof in a collapsed position.

FIG. 4 is a top view thereof.

FIG. 5 is a bottom view thereof.

FIG. 6 is a back view thereof.

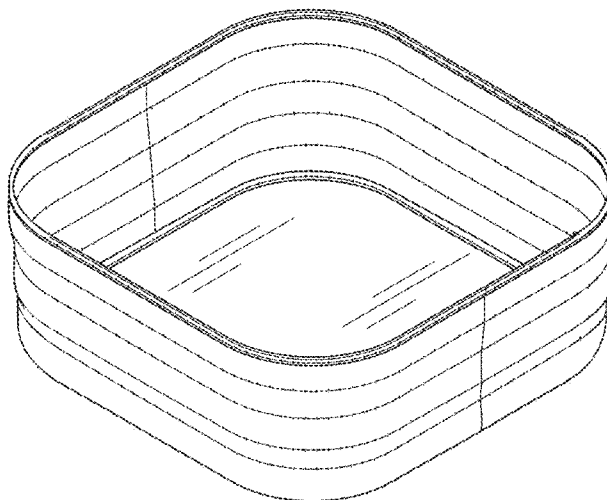
FIG. 7 is a front view thereof.

FIG. 8 is a left side view thereof.

FIG. 9 is a right view thereof; and,

FIG. 10 is a sectional view thereof taken from line 10-10 on FIG. 4.

1 Claim, 8 Drawing Sheets



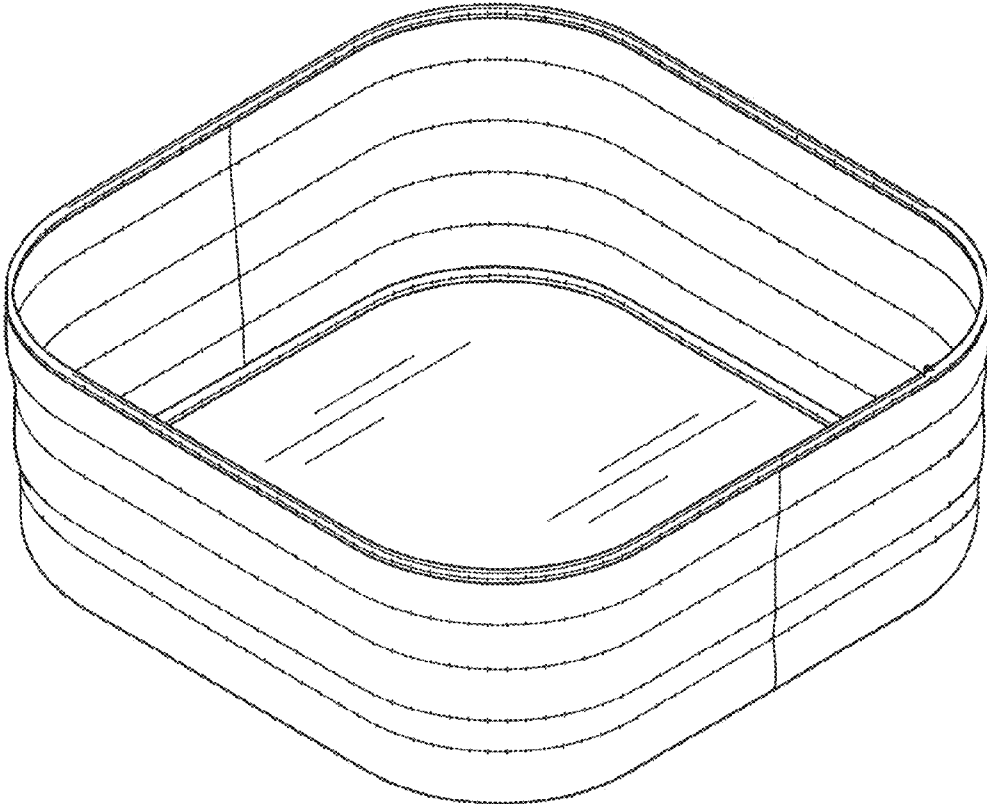


FIG. 1

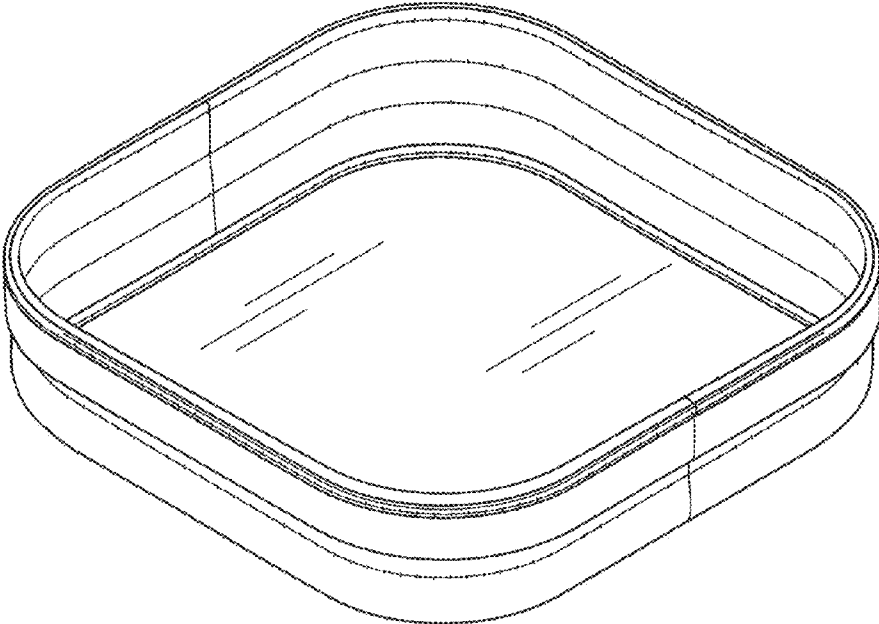


FIG. 2

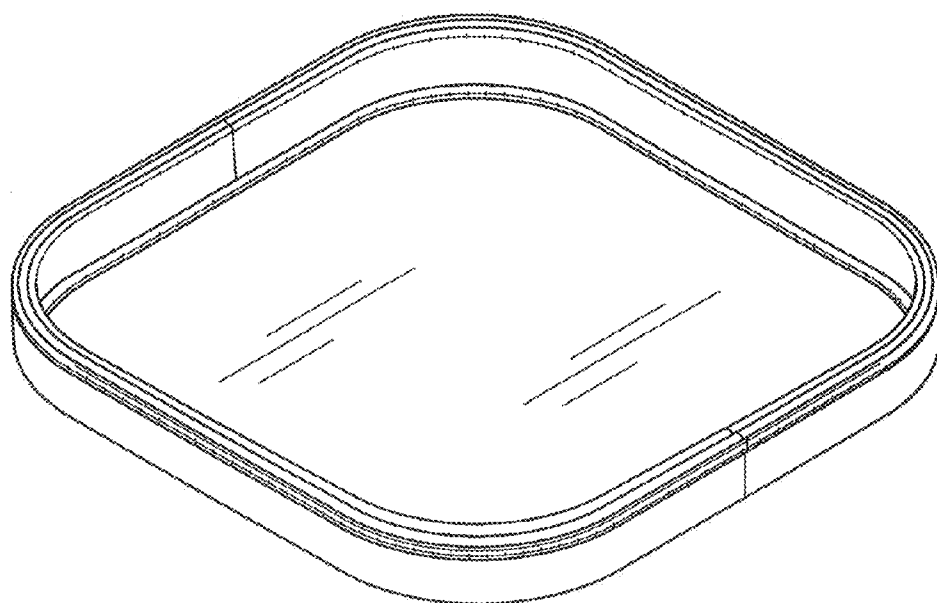


FIG. 3

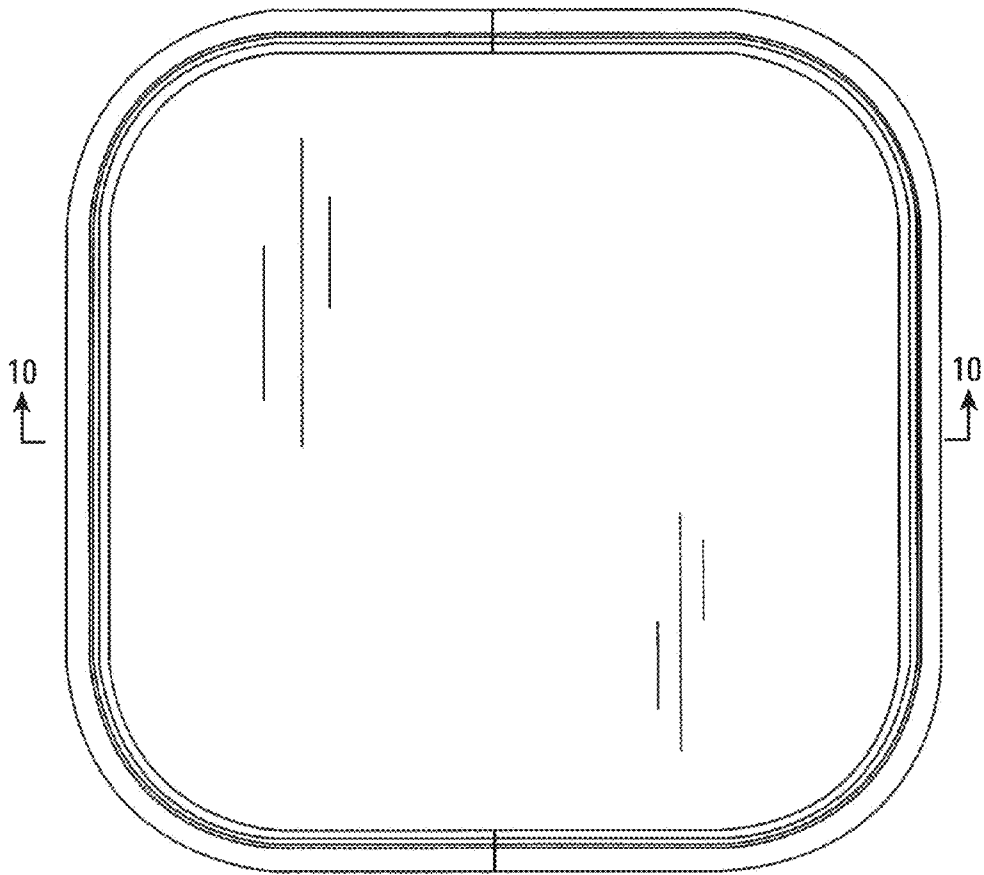


FIG. 4

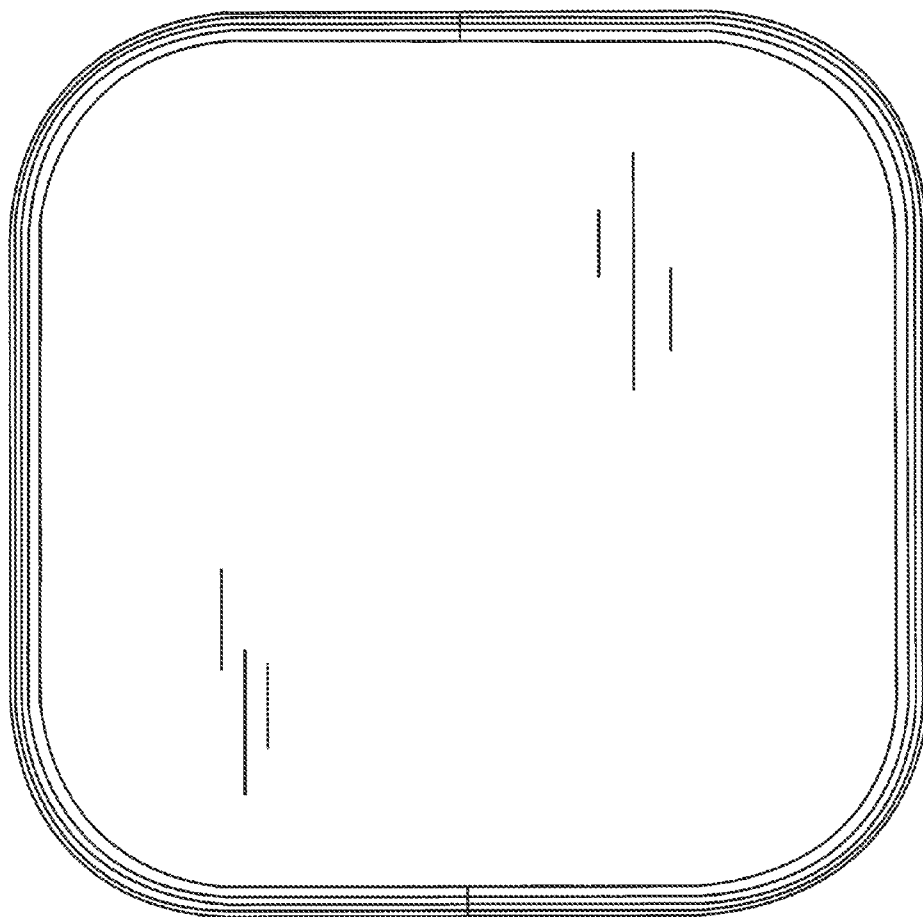


FIG. 5

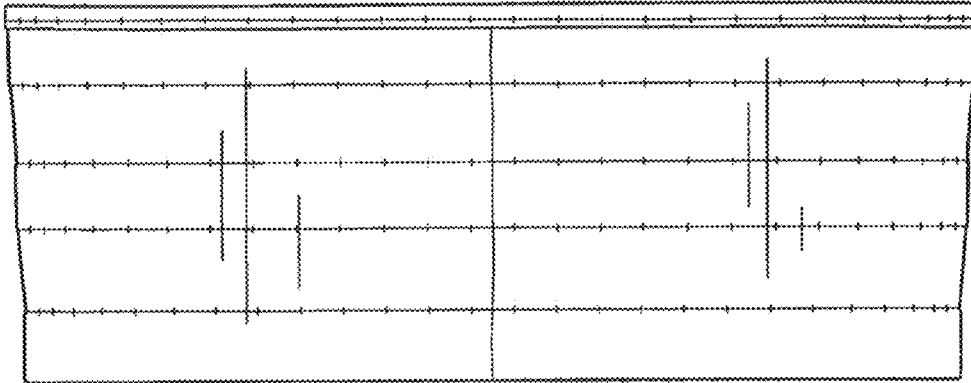


FIG. 6

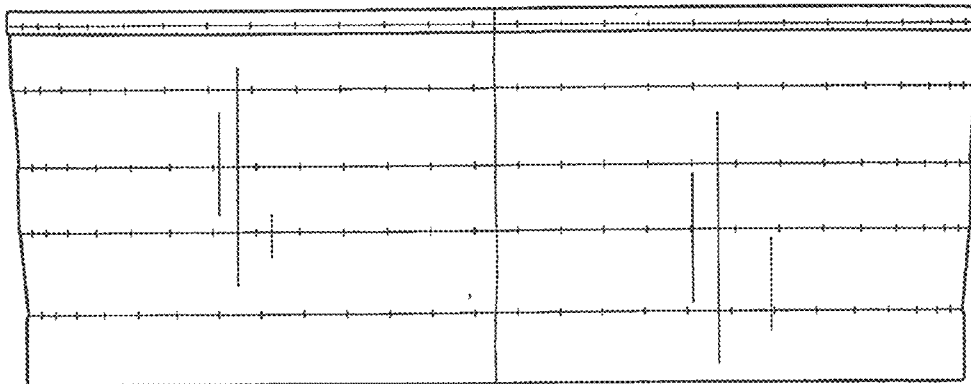


FIG. 7

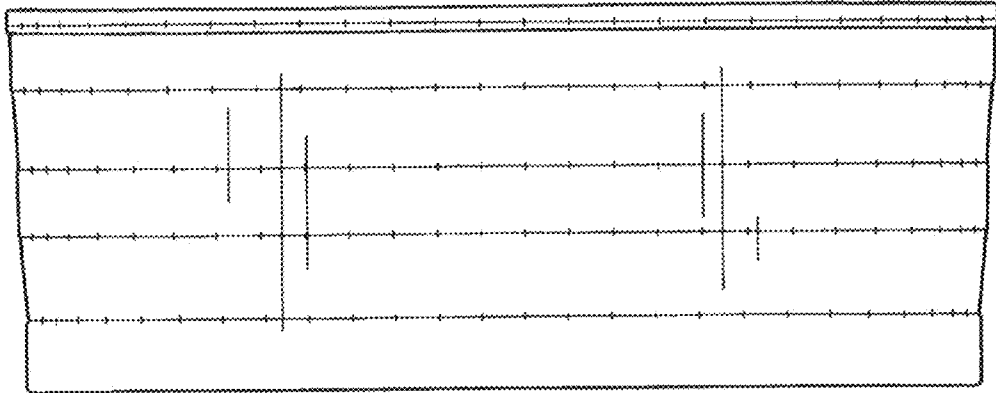


FIG. 8

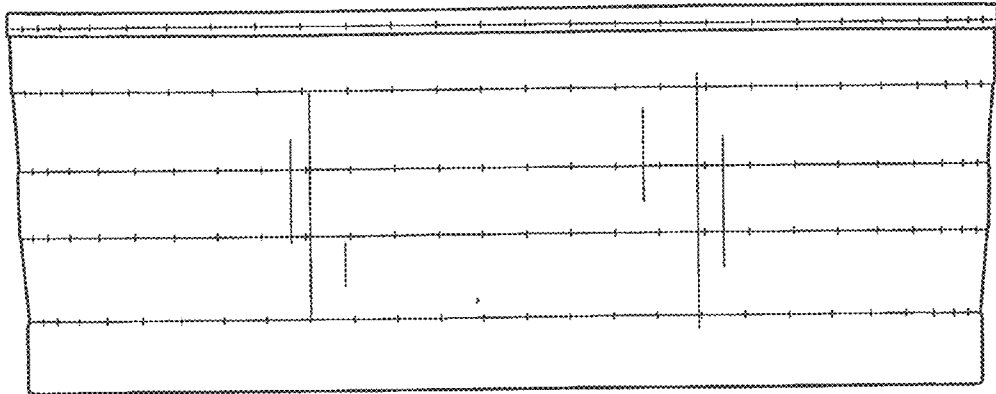


FIG. 9

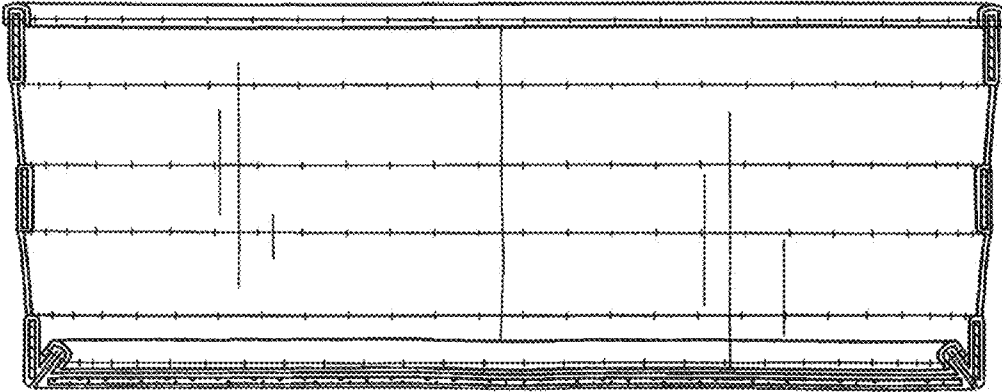


FIG. 10