



US00D391018S

United States Patent [19] Zito

[11] Patent Number: Des. 391,018

[45] Date of Patent: **Feb. 17, 1998

[54] **FINE-TOOTH COMB**

[75] Inventor: **Alejandro Marcelo Zito**, Buenos Aires, Argentina

[73] Assignee: **Chemotecnica Sintyal S.A.**, Capiatal Federal, Argentina

[**] Term: **14 Years**

[21] Appl. No.: **57,098**

[22] Filed: **Jul. 16, 1996**

[30] **Foreign Application Priority Data**

Jan. 16, 1996 [AR] Argentina 63092

[51] **LOC (6) Cl.** **28-03**

[52] **U.S. Cl.** **D28/30**

[58] **Field of Search** D28/21, 25, 30, D28/31; D30/159; 132/219, 125, 149, 150, 152, 153, 154; 119/625, 626, 630, 631, 632, 633

[56] **References Cited**

U.S. PATENT DOCUMENTS

D. 142,930	11/1945	Adler	D28/31
D. 199,718	12/1964	Adler	D28/31
D. 318,141	7/1991	Owen et al.	D28/30
D. 334,996	4/1993	Ward	D28/30
D. 351,928	10/1994	Wadr	D28/30
D. 353,915	12/1994	Lanne	D28/31 X
D. 365,662	12/1995	Leman	D28/30 X
4,671,303	6/1987	Saferstein et al.	132/152

FOREIGN PATENT DOCUMENTS

8203974 11/1982 WIPO 132/219

OTHER PUBLICATIONS

Hong Kong Enterprise Jun., 1992, p. 416—comb No. DCB1343 in top row, Jun. 1992.

Primary Examiner—Ted Shooman
Assistant Examiner—C. Tuttle
Attorney, Agent, or Firm—Birch, Stewart, Kolasch & Birch, LLP

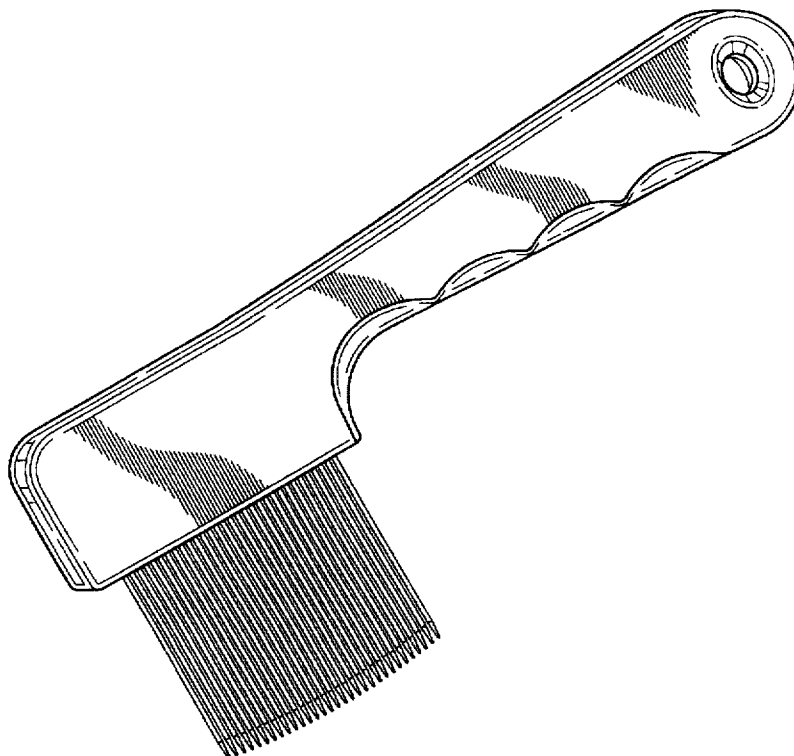
[57] **CLAIM**

The ornamental design for a fine-tooth comb, as shown and described.

DESCRIPTION

FIG. 1 is a top, front and right side perspective view of a fine-tooth comb showing my new design;
FIG. 2 is an exploded right side elevational view, the left-side being a mirror image thereof;
FIG. 3 is a bottom plan view of the head and handle of the comb with the teeth removed for clarity of disclosure;
FIG. 4 is a bottom plan view of the teeth shown separately for clarity of disclosure;
FIG. 5 is a front elevational view of the assembled design;
FIG. 6 is a rear elevational view of the assembled design; and,
FIG. 7 is a top plan view of the comb of the present invention.

1 Claim, 2 Drawing Sheets



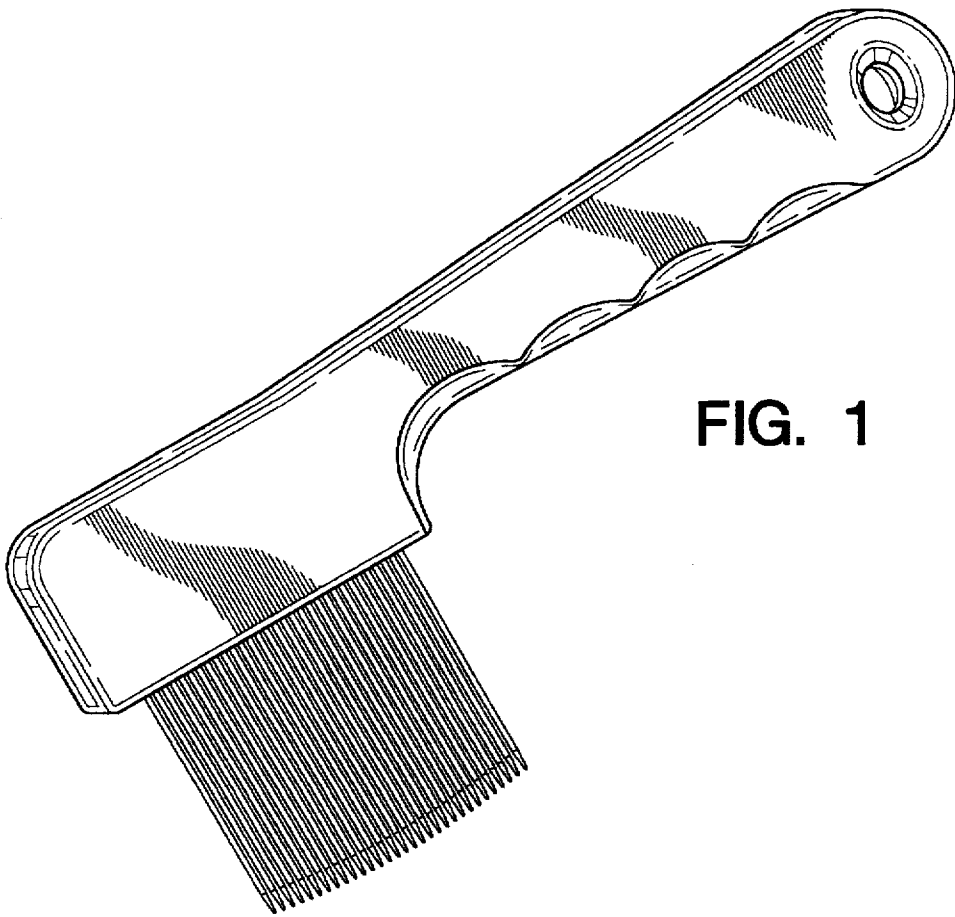


FIG. 1

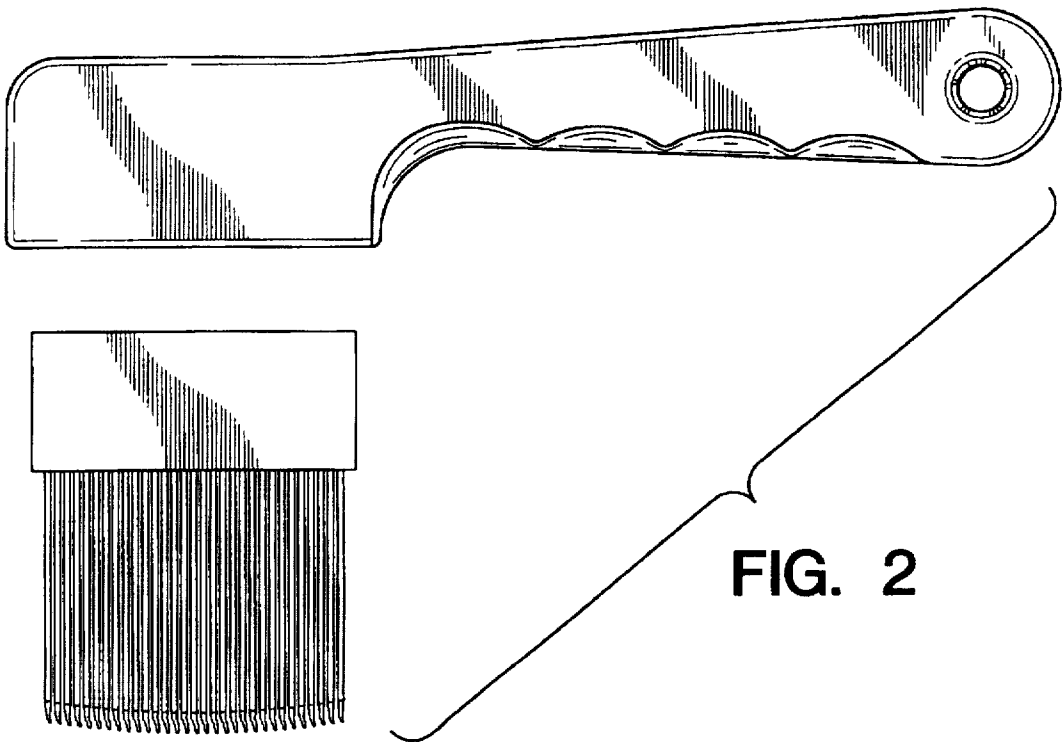


FIG. 2

FIG. 3



FIG. 4

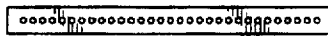


FIG. 5



FIG. 6

FIG. 7

