

[54] FOOD AND BEVERAGE CADDY

[75] Inventor: James A. McCaffrey, Norcross, Ga.

[73] Assignee: Diversified Plastics Products Inc., Norcross, Ga.

[**] Term: 14 Years

[21] Appl. No.: 4,064

[22] Filed: Jan. 17, 1979

[51] Int. Cl. D7-99

[52] U.S. Cl. D7/70; D7/38

[58] Field of Search D7/76, 37, 38, 70, 71; D6/199, 93; 211/88; 297/194

[56] References Cited

U.S. PATENT DOCUMENTS

D. 153,348	4/1949	Gainsbro	D6/199
D. 199,498	11/1964	MacKay	D7/38 X
D. 200,547	3/1965	MacKay	D7/38
D. 229,361	11/1973	Bennett	D6/199 X
D. 248,909	8/1978	Frazian	D7/71 X
D. 251,229	3/1979	Wooters	D7/38
3,135,392	6/1964	Elkins	D7/38 X

OTHER PUBLICATIONS

Infant's & Children's Review, May, 1964, p. 162, "Krib--Kaddie", top left panel.

Rubbermaid Brochure, ©1976, Items #2050, #2051, Cup Holder.

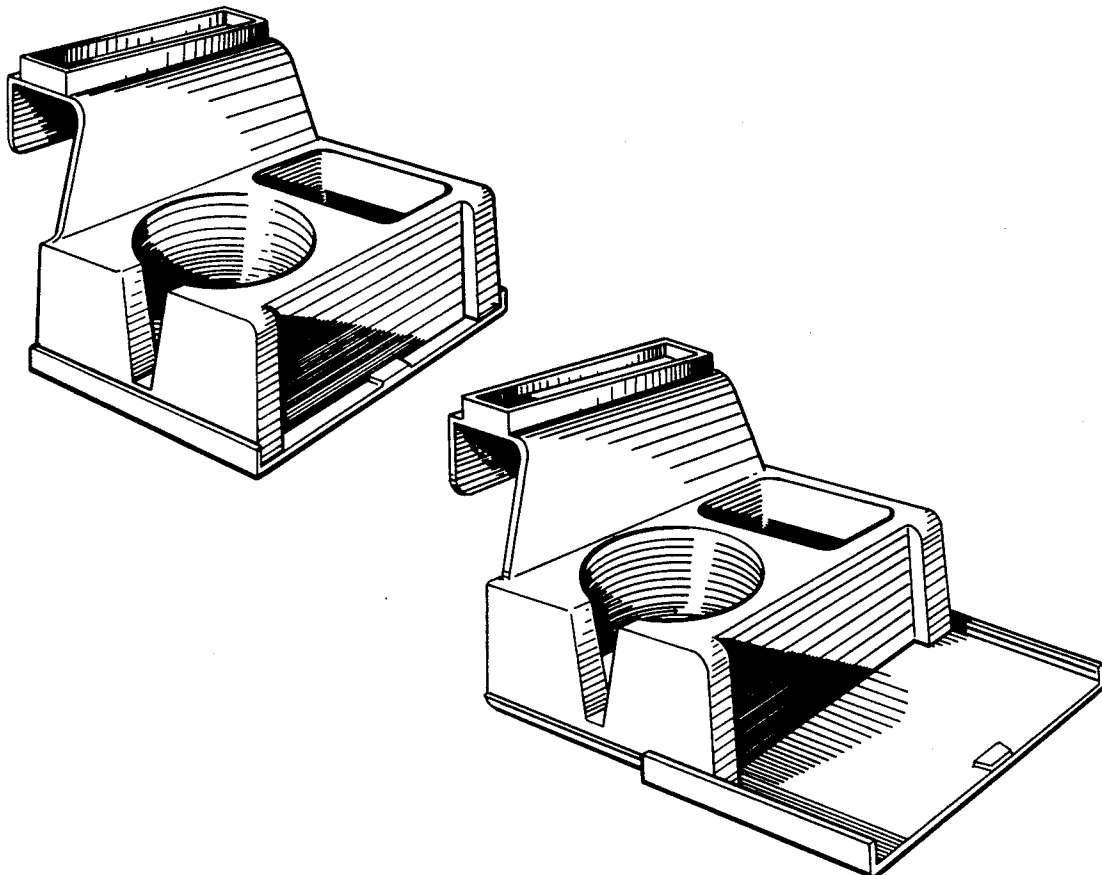
Primary Examiner—Winifred E. Herrmann
Attorney, Agent, or Firm—William H. Logsdon

[57] CLAIM

The ornamental design for a food and beverage caddy, substantially as shown and described.

DESCRIPTION

FIG. 1 is a perspective view of a food and beverage caddy showing my new design;
 FIG. 2 is a top view thereof;
 FIG. 3 is a left-side view thereof;
 FIG. 4 is a right-side view thereof;
 FIG. 5 is a front elevation thereof;
 FIG. 6 is a rear elevation thereof;
 FIG. 7 is a bottom view thereof;
 FIG. 8 is a perspective view thereof, with the tray being shown in an open position;
 FIG. 9 is a rear elevation of FIG. 8;
 FIG. 10 is a front elevation of FIG. 8;
 FIG. 11 is a left-side view of FIG. 8;
 FIG. 12 is a right-side view of FIG. 8;
 FIG. 13 is a top plan view of FIG. 8; and
 FIG. 14 is a bottom plan view of FIG. 8.



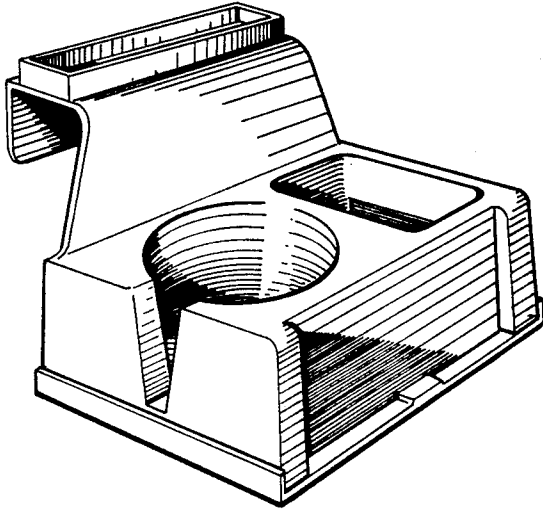


FIG. 1

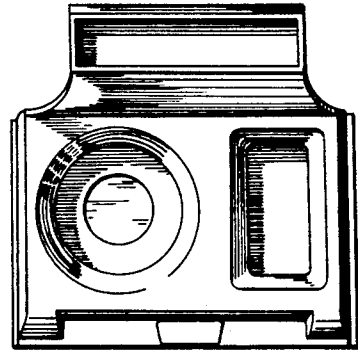


FIG. 2

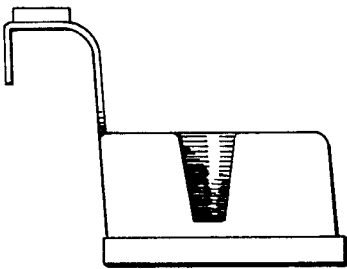


FIG. 3

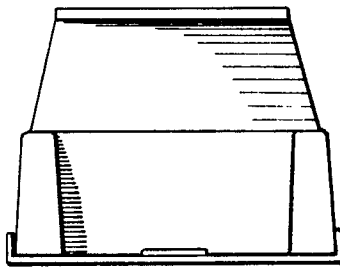


FIG. 5

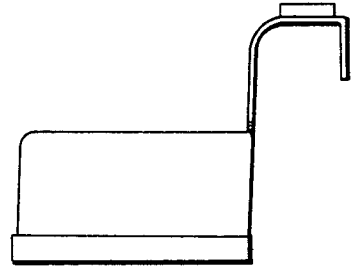


FIG. 4

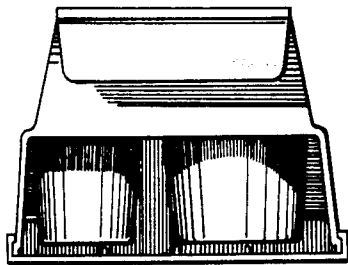


FIG. 6

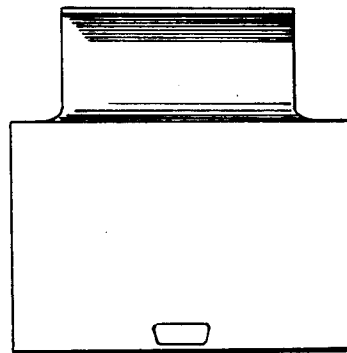


FIG. 7

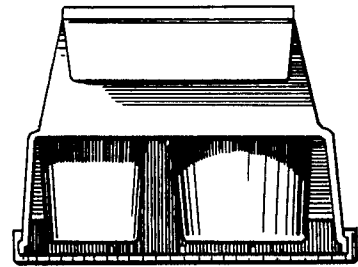
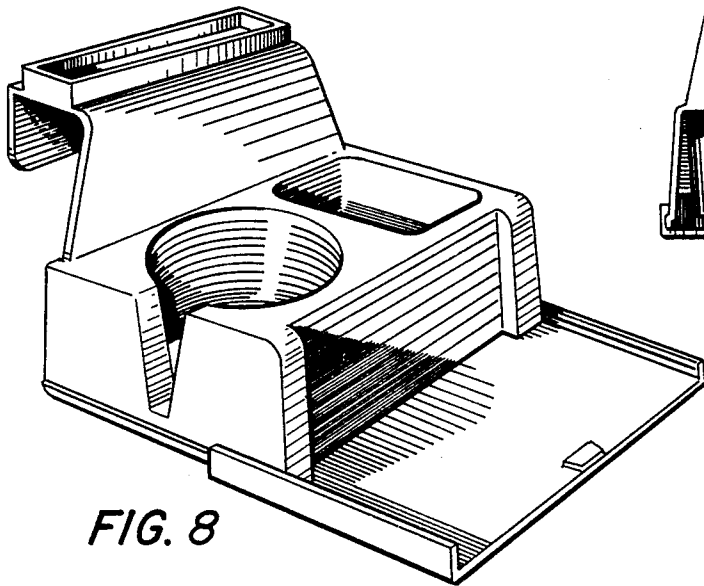


FIG. 9

FIG. 8

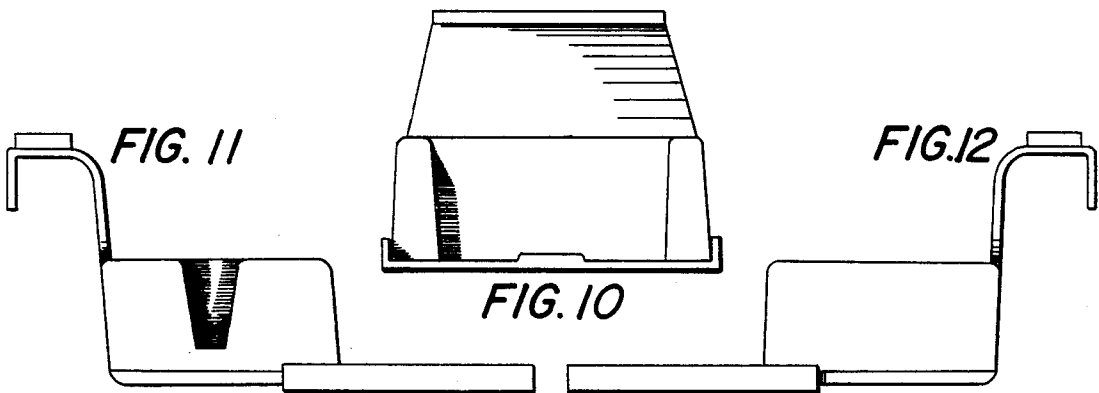


FIG. 11

FIG. 10

FIG. 12

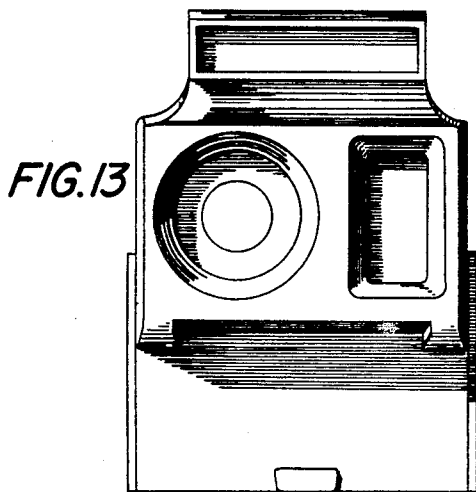


FIG. 13

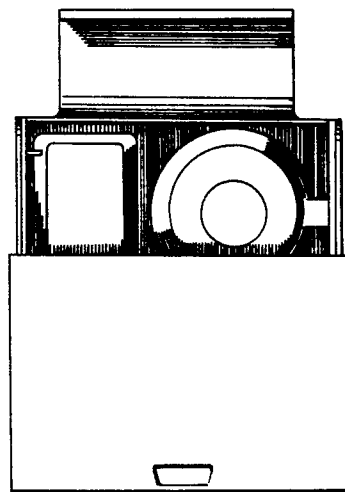


FIG. 14