



US00D658804S

(12) **United States Design Patent**
Starck

(10) **Patent No.:** **US D658,804 S**

(45) **Date of Patent:** **** May 1, 2012**

(54) **LIGHTING DEVICE**

(75) Inventor: **Philippe Starck**, Brescia (IT)

(73) Assignee: **FLOS S.p.A.**, Brescia (IT)

(**) Term: **14 Years**

(21) Appl. No.: **29/376,761**

(22) Filed: **Oct. 12, 2010**

(30) **Foreign Application Priority Data**

Apr. 12, 2010 (IT) BS201000019

(51) **LOC (9) Cl.** **26-01**

(52) **U.S. Cl.** **D26/93**

(58) **Field of Classification Search** D26/24,
D26/26, 67, 93, 90, 94, 107, 104, 105, 106,
D26/110, 118; 362/3, 153, 186, 217, 255,
362/257, 277, 317, 351, 353, 362, 363, 382,
362/431, 433, 458, 806

See application file for complete search history.

(56) **References Cited**

U.S. PATENT DOCUMENTS

D468,854 S * 1/2003 Chen D26/93
D539,970 S * 4/2007 Waldmann D26/107

D556,362 S * 11/2007 Pfund et al. D26/94
D641,915 S * 7/2011 Waldmann D26/90
D643,144 S * 8/2011 Waldmann D26/93

* cited by examiner

Primary Examiner — Brian N Vinson

(74) *Attorney, Agent, or Firm* — Birch, Stewart, Kolasch & Birch, LLP

(57) **CLAIM**

The ornamental design for a lighting device, as shown and described.

DESCRIPTION

FIG. 1 is a perspective view of a lighting device showing my new design;

FIG. 2 is a front elevational view thereof;

FIG. 3 is a left elevational view thereof;

FIG. 4 is a rear elevational view showing hitch thereof;

FIG. 5 is a right side elevational view thereof;

FIG. 6 is a top plan view thereof;

FIG. 7 is a bottom plan view thereof; and,

FIG. 8 is an enlarged fragmentary elevational view of the top portion visible in FIG. 4, with the remainder omitted for clarity of illustration.

The broken-line disclosure is understood to represent portions of the article in which the claimed design is embodied, but which forms no part of the claimed design.

1 Claim, 8 Drawing Sheets



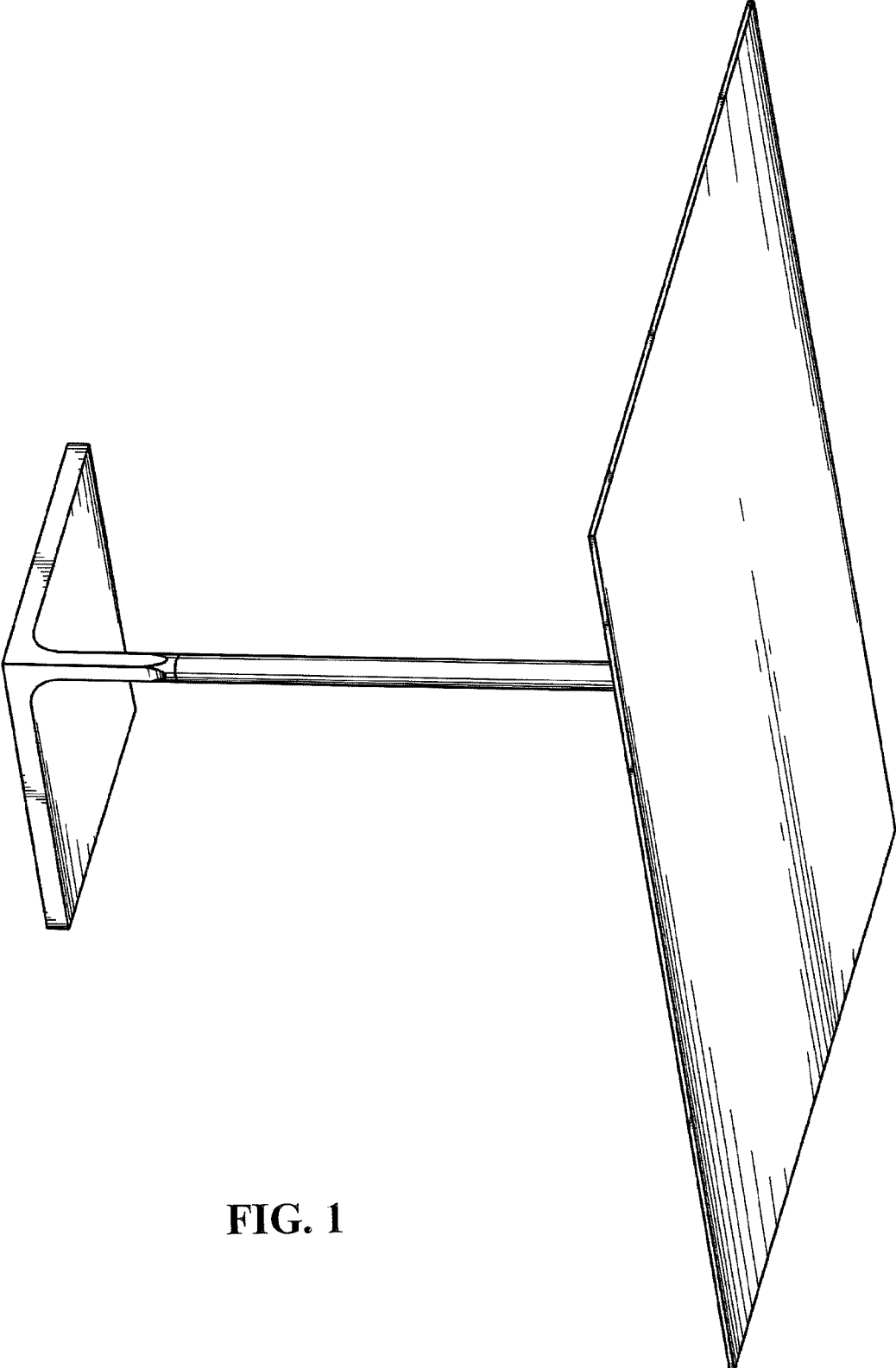


FIG. 1

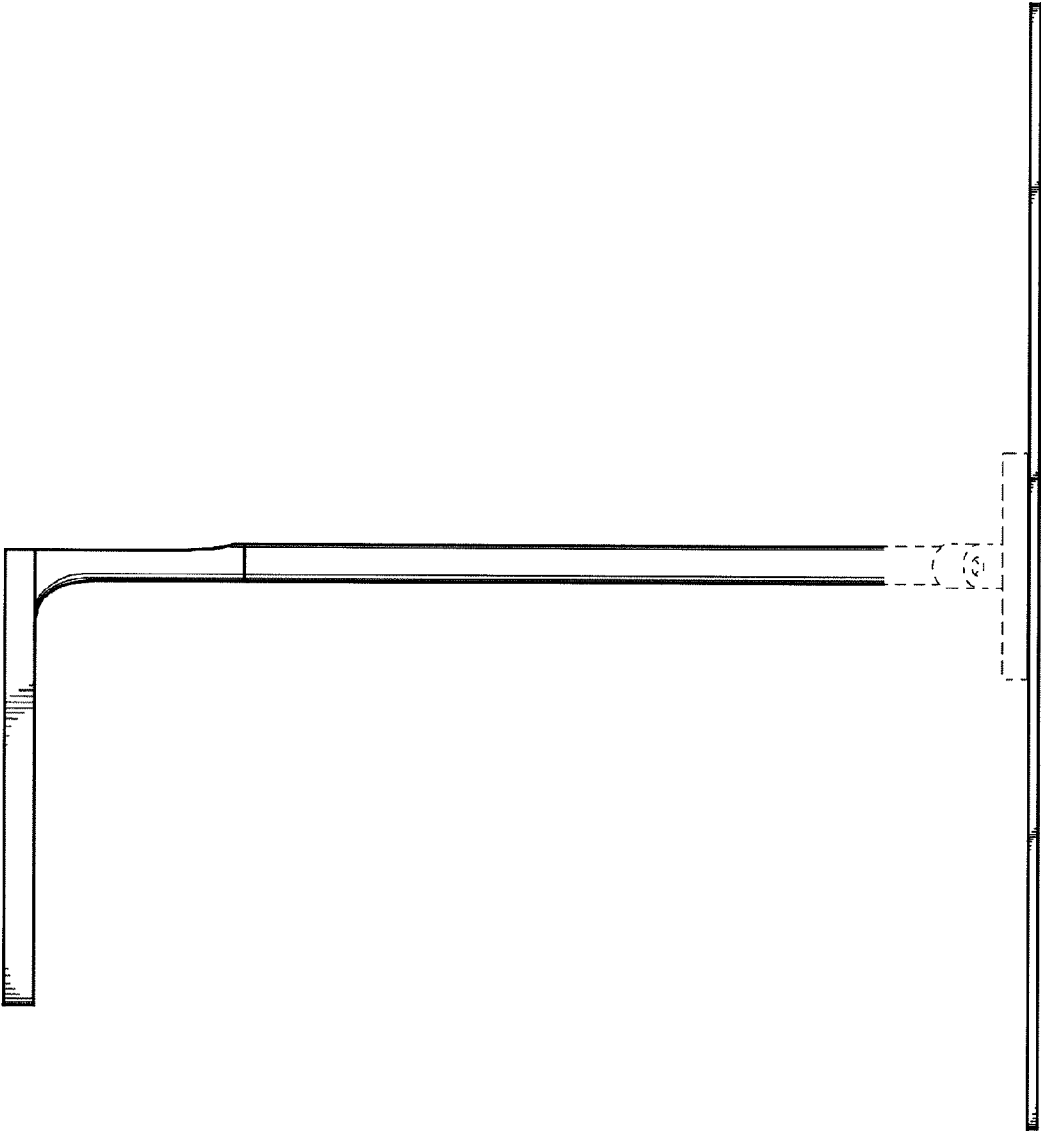


FIG. 2

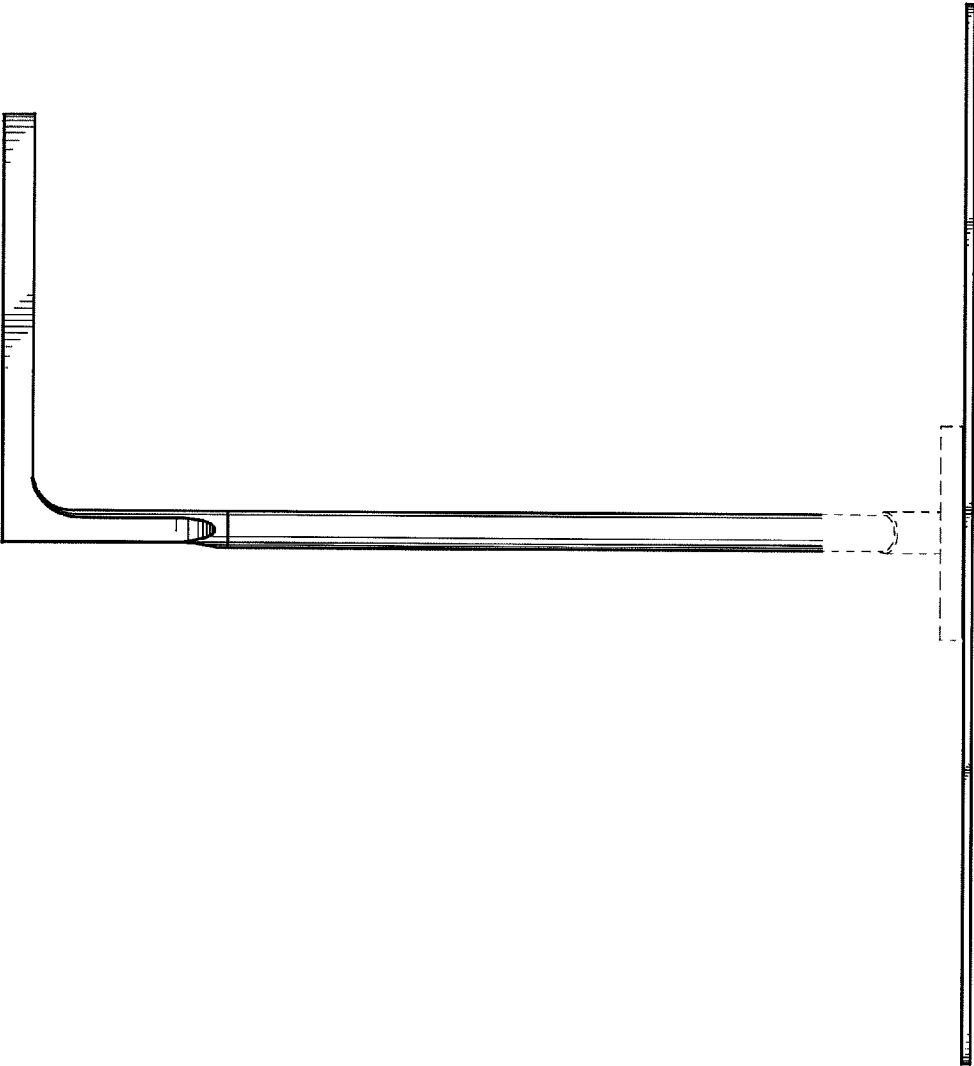


FIG. 3

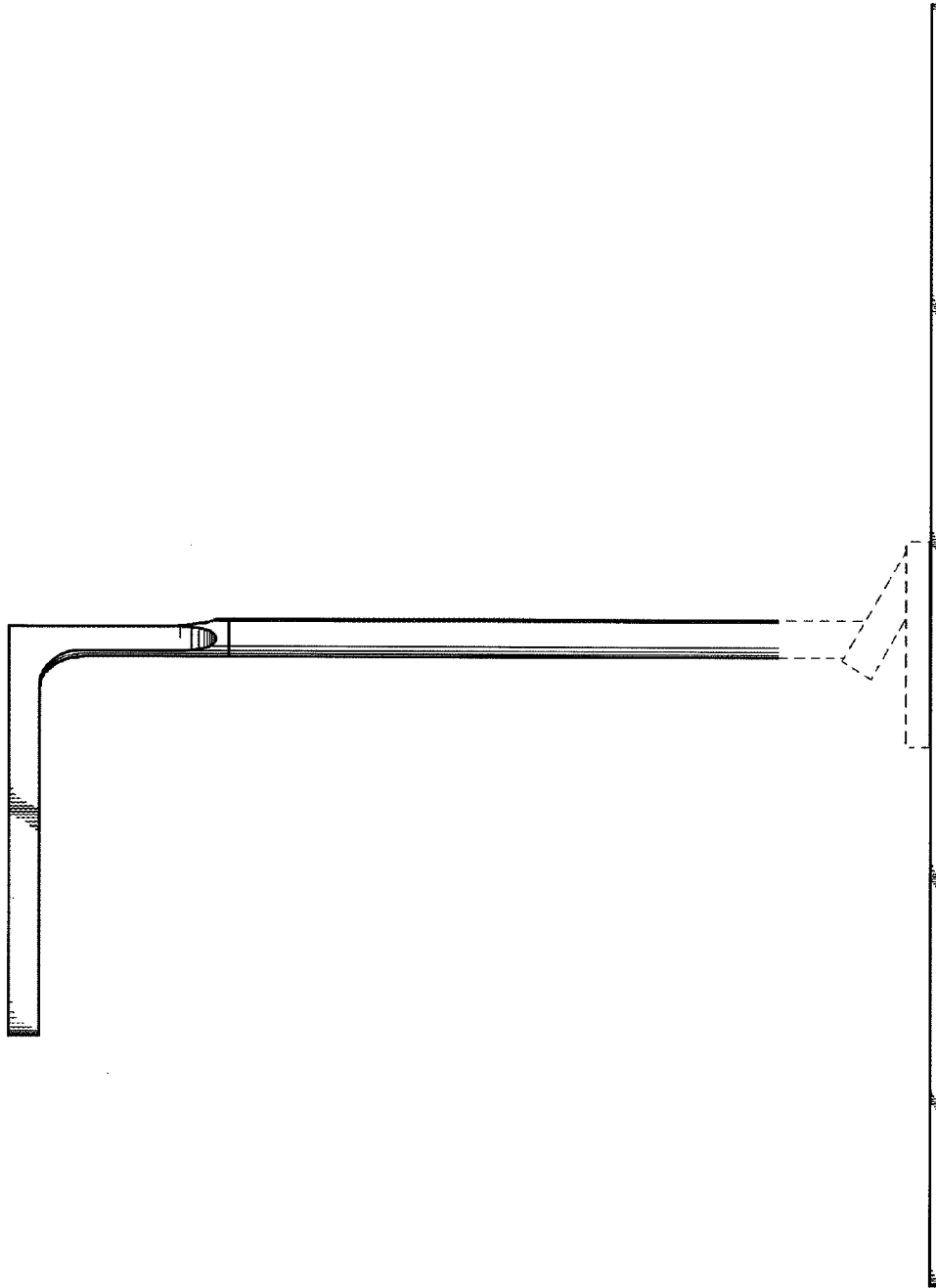


FIG. 4

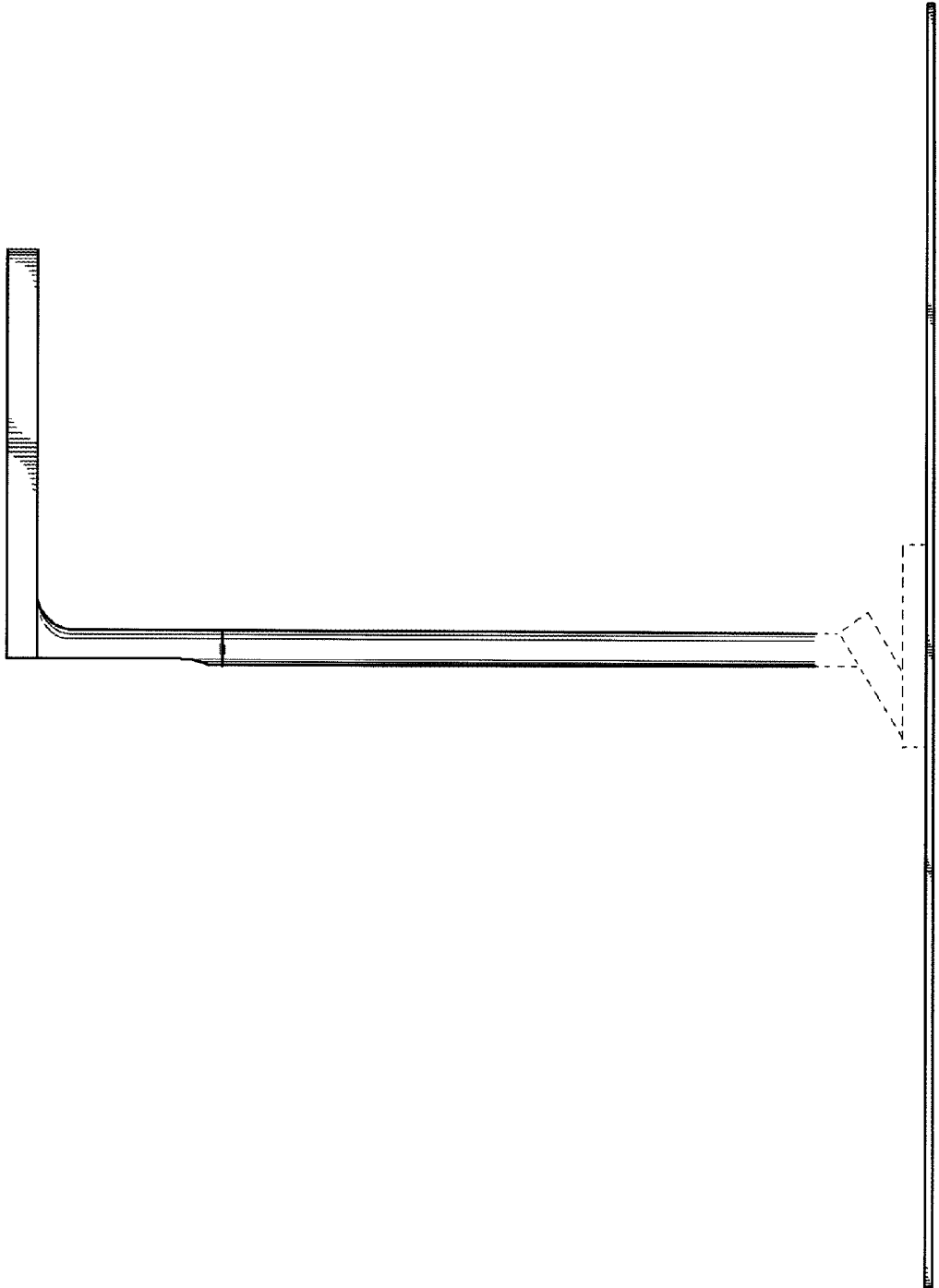


FIG. 5

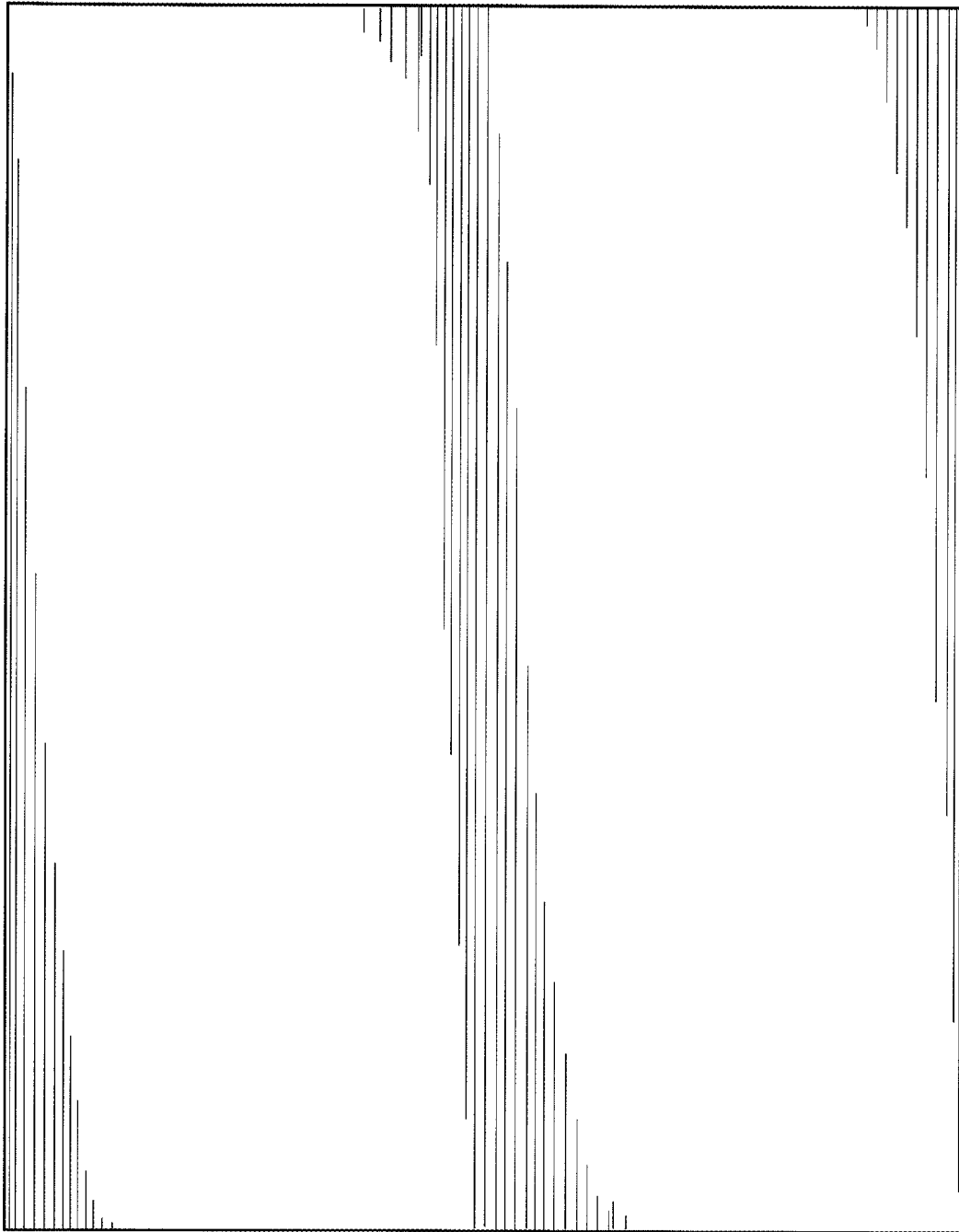


FIG. 6

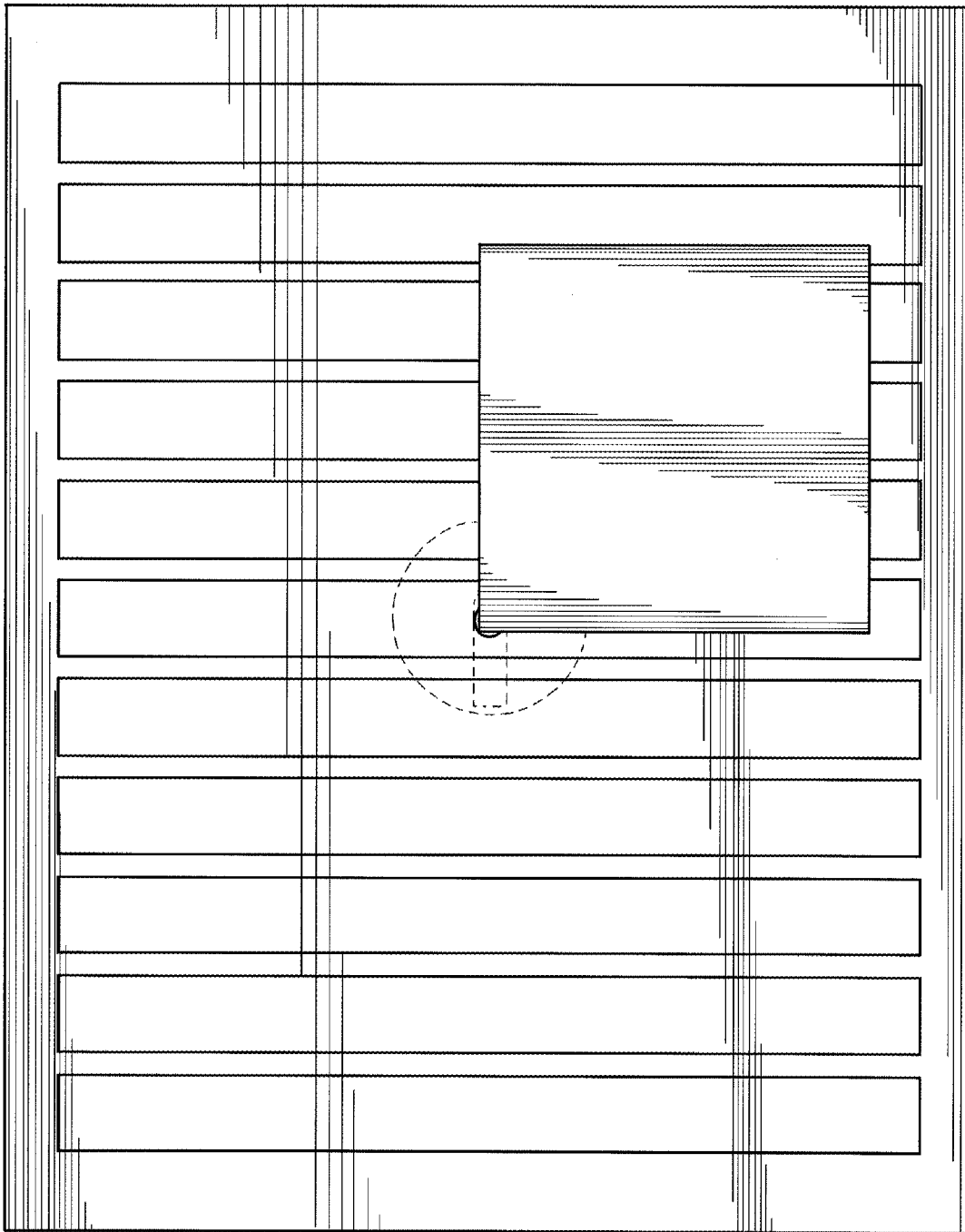


FIG. 7

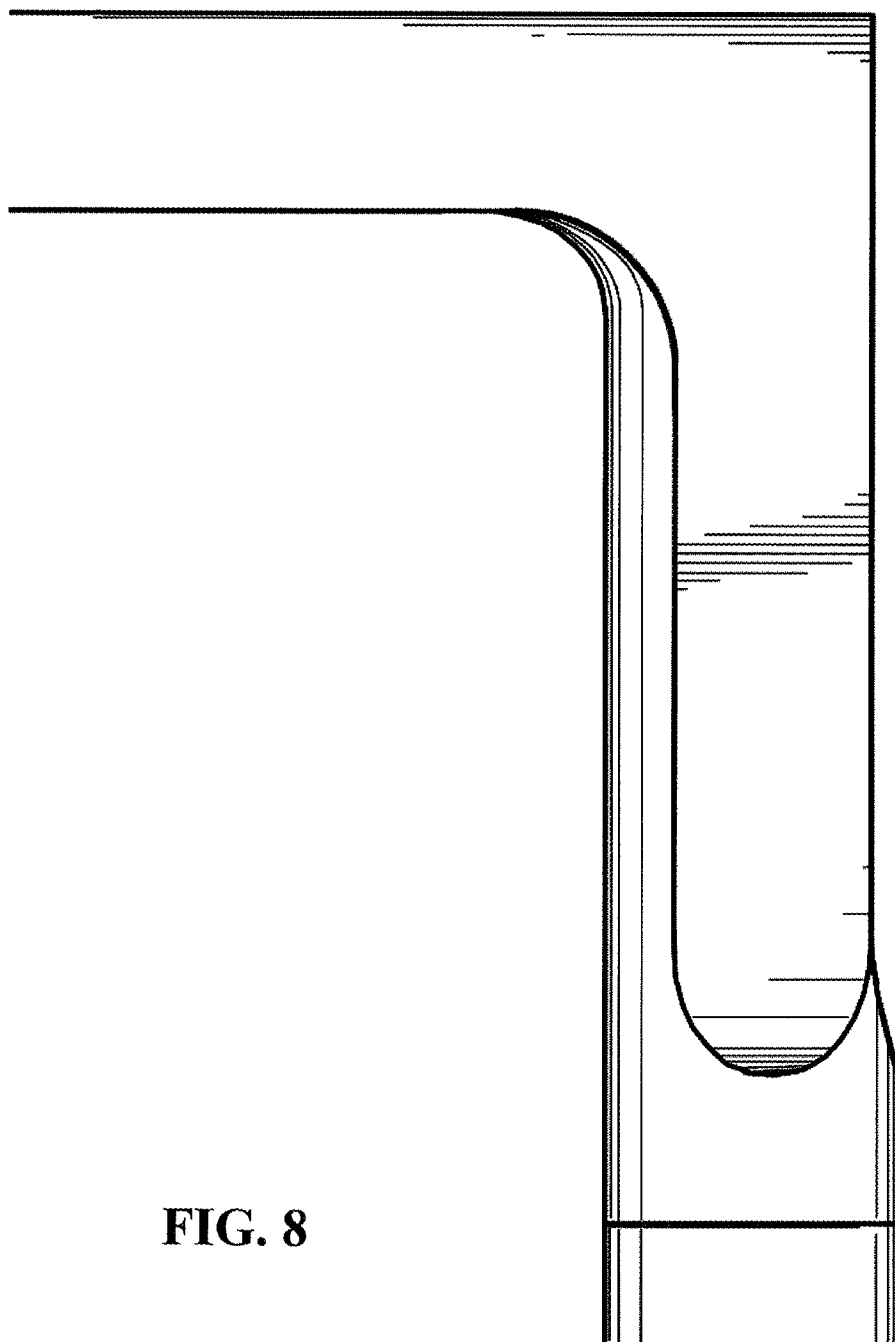


FIG. 8