

(19) World Intellectual Property Organization  
International Bureau



(43) International Publication Date  
15 September 2005 (15.09.2005)

PCT

(10) International Publication Number  
WO 2005/084321 A3

(51) International Patent Classification:  
B05D 5/12 (2006.01)

(74) Agents: RONDEAU, George, C., Jr. et al.; 2600 Century Square, 1501 Fourth Avenue, Seattle, WA 98101-1688 (US).

(21) International Application Number:  
PCT/US2005/006674

(22) International Filing Date: 1 March 2005 (01.03.2005)

(25) Filing Language: English

(26) Publication Language: English

(30) Priority Data:  
60/549,322 1 March 2004 (01.03.2004) US

(81) Designated States (unless otherwise indicated, for every kind of national protection available): AE, AG, AL, AM, AT, AU, AZ, BA, BB, BG, BR, BW, BY, BZ, CA, CH, CN, CO, CR, CU, CZ, DE, DK, DM, DZ, EC, EE, EG, ES, FI, GB, GD, GE, GH, GM, HR, HU, ID, IL, IN, IS, JP, KE, KG, KP, KR, KZ, LC, LK, LR, LS, LT, LU, LV, MA, MD, MG, MK, MN, MW, MX, MZ, NA, NI, NO, NZ, OM, PG, PH, PL, PT, RO, RU, SC, SD, SE, SG, SK, SL, SM, SY, TJ, TM, TN, TR, TT, TZ, UA, UG, US, UZ, VC, VN, YU, ZA, ZM, ZW.

(71) Applicant (for all designated States except US):  
NOVINIUM, INC. [US/US]; 22019 70th Avenue South, Kent, WA 98032 (US).

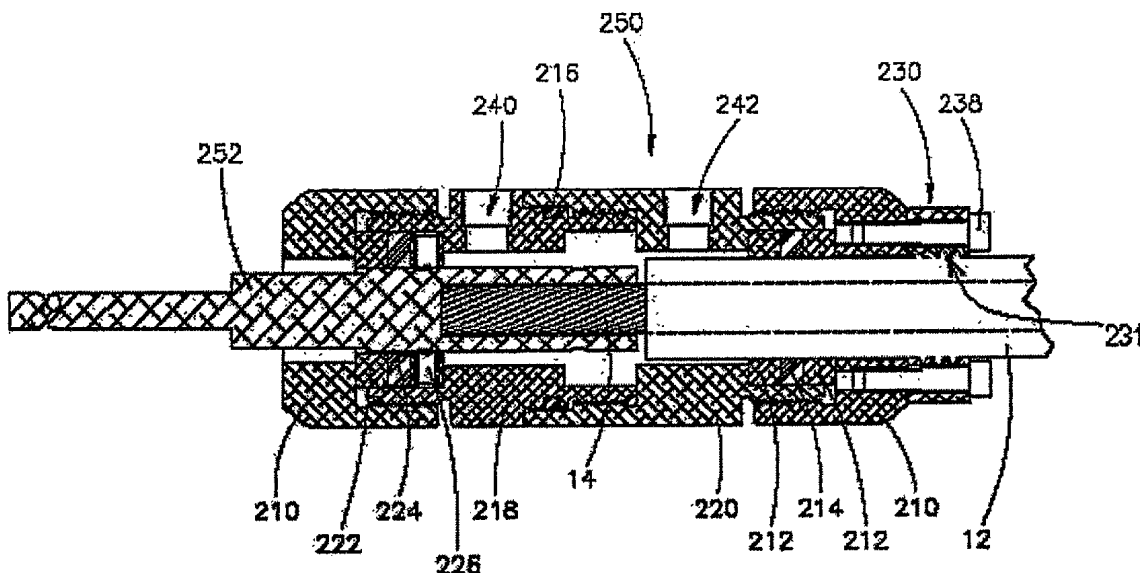
(84) Designated States (unless otherwise indicated, for every kind of regional protection available): ARIPO (BW, GH, GM, KE, LS, MW, MZ, NA, SD, SL, SZ, TZ, UG, ZM, ZW), Eurasian (AM, AZ, BY, KG, KZ, MD, RU, TJ, TM), European (AT, BE, BG, CH, CY, CZ, DE, DK, EE, ES, FI, FR, GB, GR, HU, IE, IS, IT, LT, LU, MC, NL, PL, PT, RO, SE, SI, SK, TR), OAPI (BF, BJ, CF, CG, CI, CM, GA, GN, GQ, GW, ML, MR, NE, SN, TD, TG).

(72) Inventors; and

(75) Inventors/Applicants (for US only): BERTINI, Glen, J. [US/US]; 2816 Galleon CT NE, Tacoma, WA 98422-1969 (US). THEIMER, Antony, Roy [US/US]; 2724 Alpine Drive SE, Auburn, WA 98002 (US).

[Continued on next page]

(54) Title: METHOD FOR TREATING ELECTRICAL CABLE AT SUSTAINED ELEVATED PRESSURE



(57) Abstract: A method for enhancing the dielectric properties of an electrical cable segment having a central stranded conductor encased in a polymeric insulation jacket and an interstitial void volume in the region of the conductor, including filling the interstitial void volume with a dielectric property-enhancing fluid at a pressure below the elastic limit of the polymeric insulation jacket, and confining the fluid within the interstitial void volume at a residual pressure greater than about 50 psig, with the pressure being imposed along the entire length of the segment but below the elastic limit of the polymeric insulation jacket. Preferably, the residual pressure is sufficient to expand the interstitial void volume along the entire length of the cable segment by at least 5%.

WO 2005/084321 A3



**Published:**

— *with international search report*

**(88) Date of publication of the international search report:**

19 March 2009

**INTERNATIONAL SEARCH REPORT**

International application No.

PCT/US05/06674

**A. CLASSIFICATION OF SUBJECT MATTER**

IPC: **B05D 5/12**( 2006.01)

USPC: 427/117,118,120

According to International Patent Classification (IPC) or to both national classification and IPC

**B. FIELDS SEARCHED**

Minimum documentation searched (classification system followed by classification symbols)

U.S. : 427/117,118,120

Documentation searched other than minimum documentation to the extent that such documents are included in the fields searched

Electronic data base consulted during the international search (name of data base and, where practicable, search terms used)

Please See Continuation Sheet

**C. DOCUMENTS CONSIDERED TO BE RELEVANT**

Category *	Citation of document, with indication, where appropriate, of the relevant passages	Relevant to claim No.
Y	US 6,162,491 A (BERTINI) 19 DECEMBER 2000 (19.12.2000), ABSTRACT AND COL. 1, LINES 15-55)	1-33
Y	US 4,766,011 A (VINCENT ET AL.) 23 AUGUST 1988 (23.08.1988), ABSTRACT AND COL. 3, LINES 23-35)	1-33
Y	US 6,350,947 A (BERTINI ET AL.) 26 FEBRUARY 2002 (26.02.2002), ABSTRACT, COL. 2, LINES 23-28 AND COL. 5, LINES 25-55)	1-33
Y	US 4,372,988 A (BAHDER) 08 FEBRUARY 1983 (08.02.1983), ABSTRACT AND COL. 4, LINES 20-48)	1-33
Y	US 5,372,841 A (KLEYER ET AL.) 13 DECEMBER 1994 (13.12.1994), ABSTRACT, COL. 2, LINES 45-60, COL. 3, LINES 20-30, COL. 7, LINES 45-65 AND COL. 10, LINES	1-33
A	US 6,610,932 A (VAN DEN BERG ET AL.) 26 AUGUST 2003 (26.08.1993) ENTIRE REFERENCE	1-33

Further documents are listed in the continuation of Box C.

See patent family annex.

\* Special categories of cited documents:

"A" document defining the general state of the art which is not considered to be of particular relevance

"E" earlier application or patent published on or after the international filing date

"L" document which may throw doubts on priority claim(s) or which is cited to establish the publication date of another citation or other special reason(as specified)

"O" document referring to an oral disclosure, use, exhibition or other means

"P" document published prior to the international filing date but later than the priority date claimed

"T" later document published after the international filing date or priority date and not in conflict with the application but cited to understand the principle or theory underlying the invention

"X" document of particular relevance; the claimed invention cannot be considered novel or cannot be considered to involve an inventive step when the document is taken alone

"Y" document of particular relevance; the claimed invention cannot be considered to involve an inventive step when the document is combined with one or more other such documents, such combination being obvious to a person skilled in the art

"&" document member of the same patent family

Date of the actual completion of the international search

21 May 2008 (21.05.2008)

Date of mailing of the international search report

**30 MAY 2008**

Name and mailing address of the ISA/US

Mail Stop PCT, Attn: ISA/US  
Commissioner for Patents  
P.O. Box 1450  
Alexandria, Virginia 22313-1450

Facsimile No. (571) 273-3201

Authorized officer

Timothy H Meeks

Telephone No. 571-272-1700



**INTERNATIONAL SEARCH REPORT**

International application No.

PCT/US05/06674

Continuation of B. FIELDS SEARCHED Item 3:

EASTS SEARCH: CABLE, SEALANT, ENCAPSULANT, ENHANCING, ENHANCEMENT, PRESSURE, JACKET, INTERSTICIAL, INTERSTICES