



US00D620751S

(12) **United States Design Patent**
Cline et al.

(10) **Patent No.:** **US D620,751 S**

(45) **Date of Patent:** **** Aug. 3, 2010**

(54) **APPLIANCE WITH A WINDOW**

(75) Inventors: **Wyatt A. Cline**, Saint Joseph, MI (US);
Jason S. Lind, Benton Harbor, MI (US);
John W. McConnell, Chicago, IL (US)

(73) Assignee: **Whirlpool Corporation**, Benton Harbor, MI (US)

(**) Term: **14 Years**

(21) Appl. No.: **29/351,462**

(22) Filed: **Dec. 7, 2009**

Related U.S. Application Data

(63) Continuation-in-part of application No. 29/327,514, filed on Nov. 7, 2008.

(51) **LOC (9) Cl.** **07-02**

(52) **U.S. Cl.** **D7/405**

(58) **Field of Classification Search** D7/339–341,
D7/346–349, 402, 405, 406, 351; 126/21 A,
126/21 R, 39 B, 273 A; 219/391–394

See application file for complete search history.

(56) **References Cited**

U.S. PATENT DOCUMENTS

D375,867	S	*	11/1996	Sparks	D7/340
D379,734	S	*	6/1997	Baldwin	D7/405
D429,953	S	*	8/2000	Orzel et al.	D7/405
D462,867	S	*	9/2002	Resuello et al.	D7/349
D464,229	S	*	10/2002	Baldwin et al.	D7/340
D468,585	S	*	1/2003	Resuello et al.	D7/405
D468,962	S	*	1/2003	Jones et al.	D7/405
D470,720	S	*	2/2003	Jones et al.	D7/405
D477,177	S	*	7/2003	Jeong	D7/340
D505,825	S	*	6/2005	Vetter	D7/340
D510,226	S	*	10/2005	Vetter	D7/340
D510,227	S	*	10/2005	Baldwin	D7/340

(Continued)

Primary Examiner—T. Chase Nelson

Assistant Examiner—Mark Cavanna

(74) *Attorney, Agent, or Firm*—Tara M. Hartman; McGarry Bair P.C.

(57) **CLAIM**

The ornamental design for an appliance with a window, as shown and described.

DESCRIPTION

FIG. 1 is a front-perspective view of a first embodiment of an ornamental design for an appliance with a window illustrated in the environment of a range with an upper door and lower drawer;

FIG. 2 is a front-view of the first embodiment of the appliance of FIG. 1;

FIG. 3 is a right-side view of the first embodiment of the appliance of FIG. 1, with the left side being identical;

FIG. 4 is a top view of the first embodiment of the appliance of FIG. 1;

FIG. 5 is a front-perspective view of a second embodiment of an ornamental design for an appliance with a window illustrated in the environment of a range with upper and lower doors;

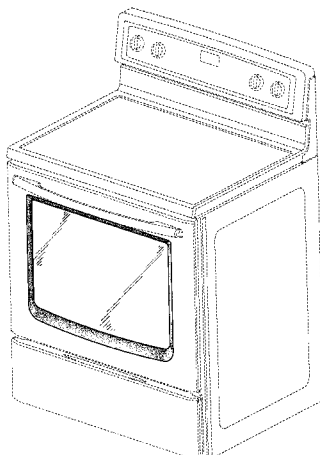
FIG. 6 is a front-view of the second embodiment of the appliance of FIG. 5;

FIG. 7 is a right-side view of the second embodiment of the appliance of FIG. 5, with the left side being identical; and,

FIG. 8 is a top view of the first embodiment of the appliance of FIG. 5.

The structures depicted by means of broken lines in the figures have been show for illustrative purposes only and form no part of the claimed design. The bottom and rear views of both embodiments form no part of the ornamental design and is not shown.

1 Claim, 8 Drawing Sheets



US D620,751 S

Page 2

U.S. PATENT DOCUMENTS

D511,925 S *	11/2005	Baldwin	D7/340	D527,948 S *	9/2006	Bengtson	D7/405
D511,926 S *	11/2005	Baldwin	D7/340	D530,561 S *	10/2006	Kim	D7/351
D516,862 S *	3/2006	Grutzke et al.	D7/405	D536,207 S *	2/2007	Ostlund et al.	D7/340
D521,805 S *	5/2006	Hessen et al.	D7/405	D539,088 S *	3/2007	Logan et al.	D7/405
D525,476 S *	7/2006	Bengtson et al.	D7/349	D539,591 S *	4/2007	Bengtson et al.	D7/349
D525,477 S *	7/2006	Kim	D7/351	D555,976 S *	11/2007	Baldwin	D7/405
					D564,281 S *	3/2008	Kim	D7/340

* cited by examiner

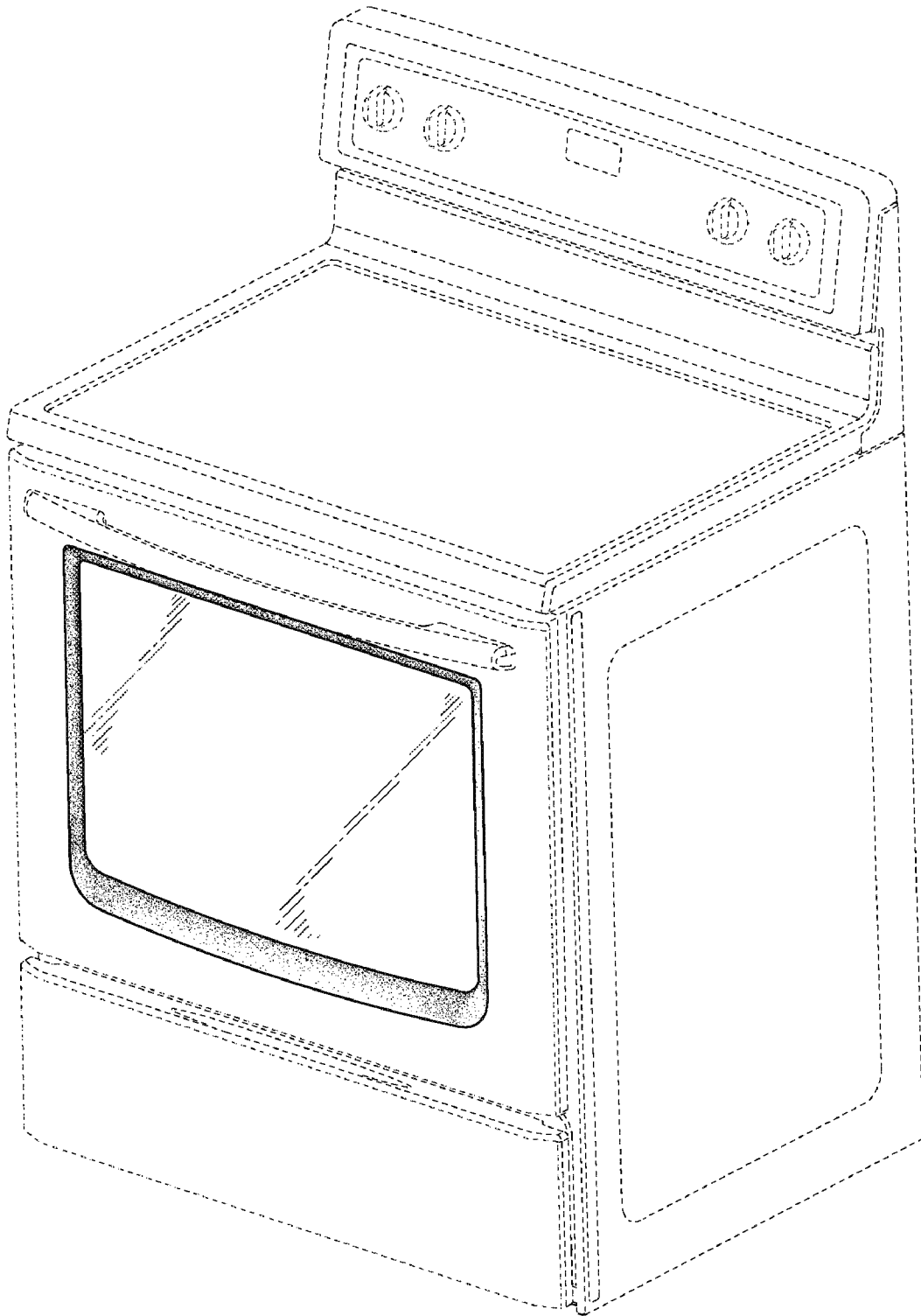


Fig. 1

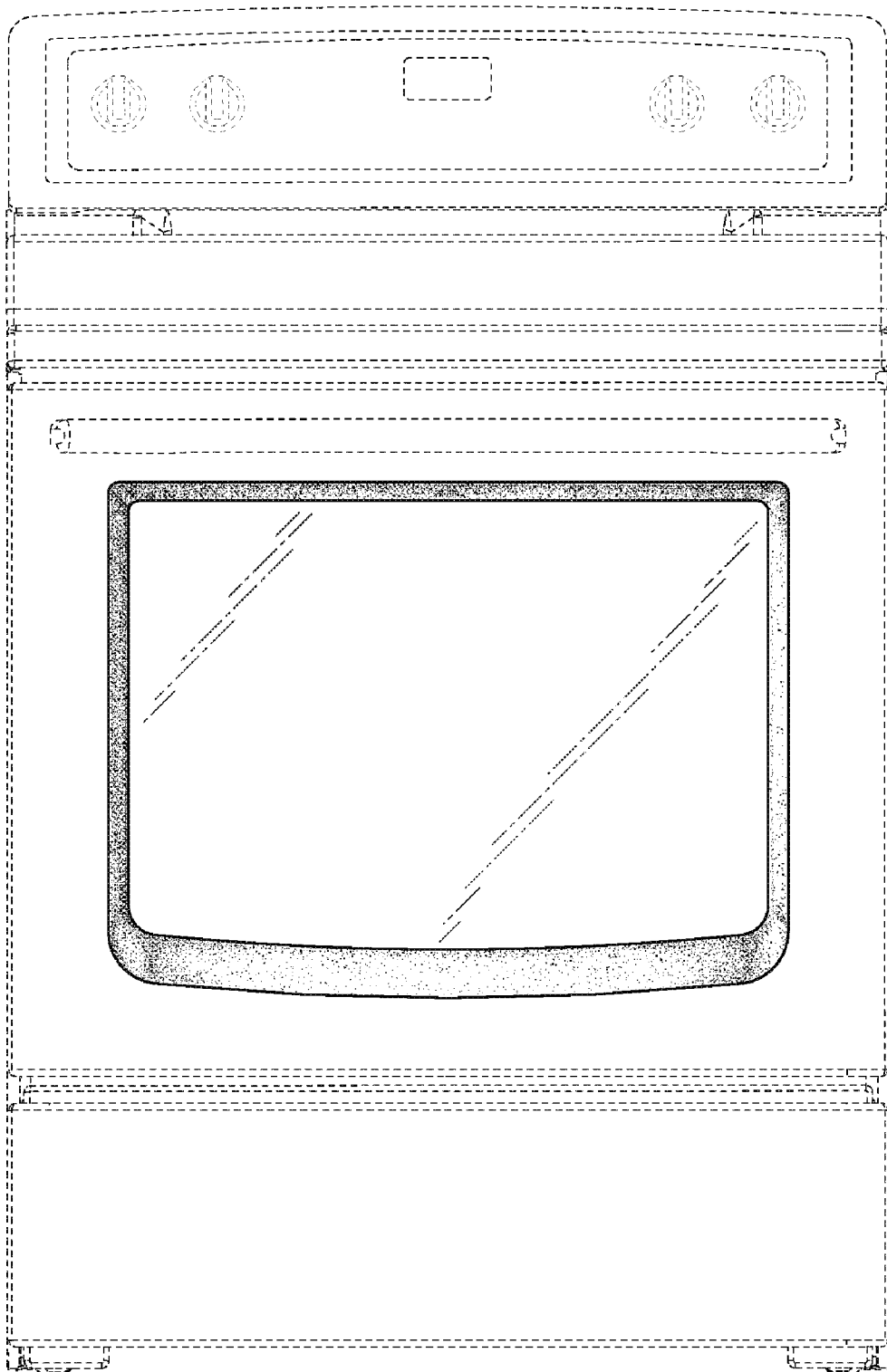


Fig. 2

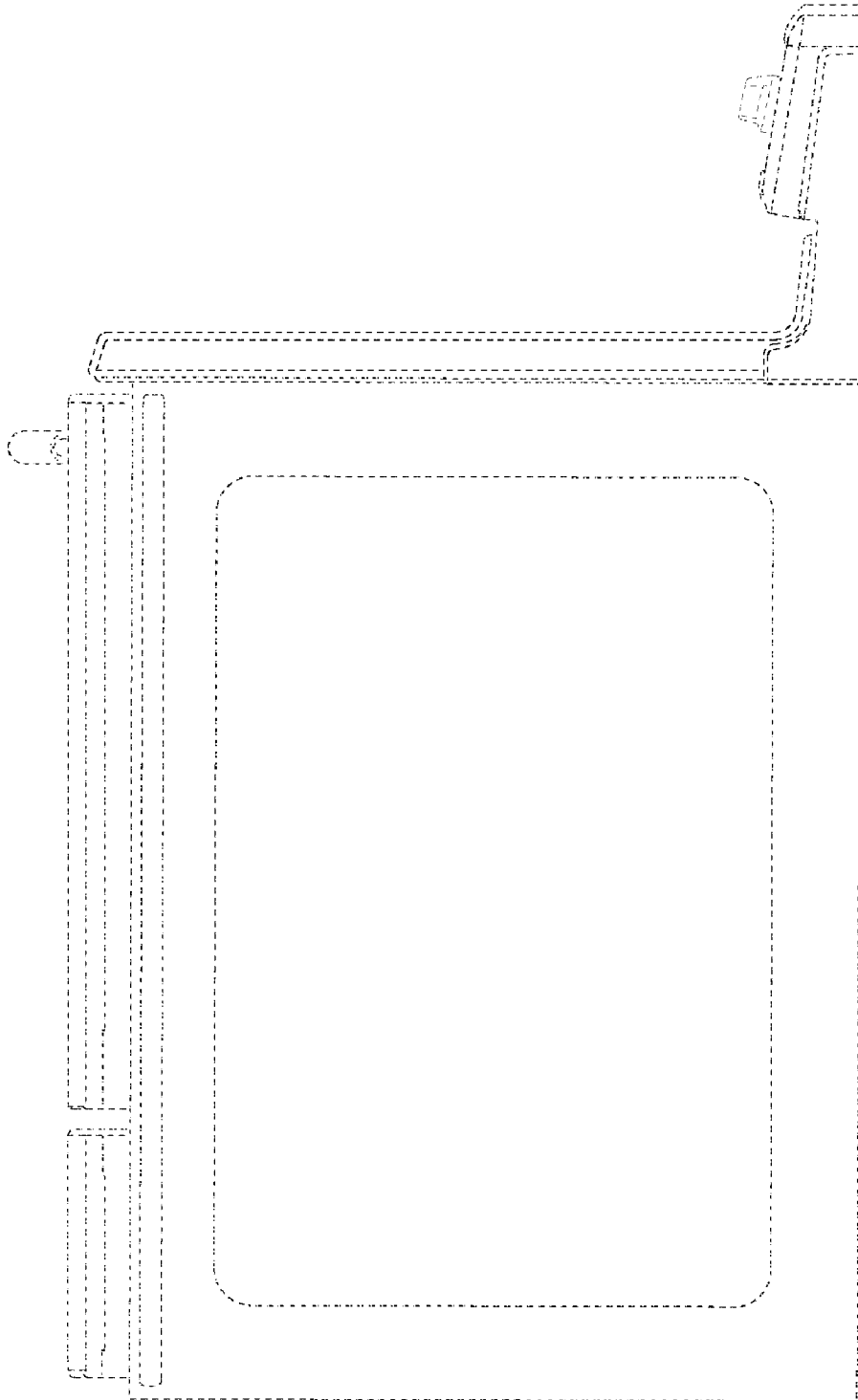


Fig. 3

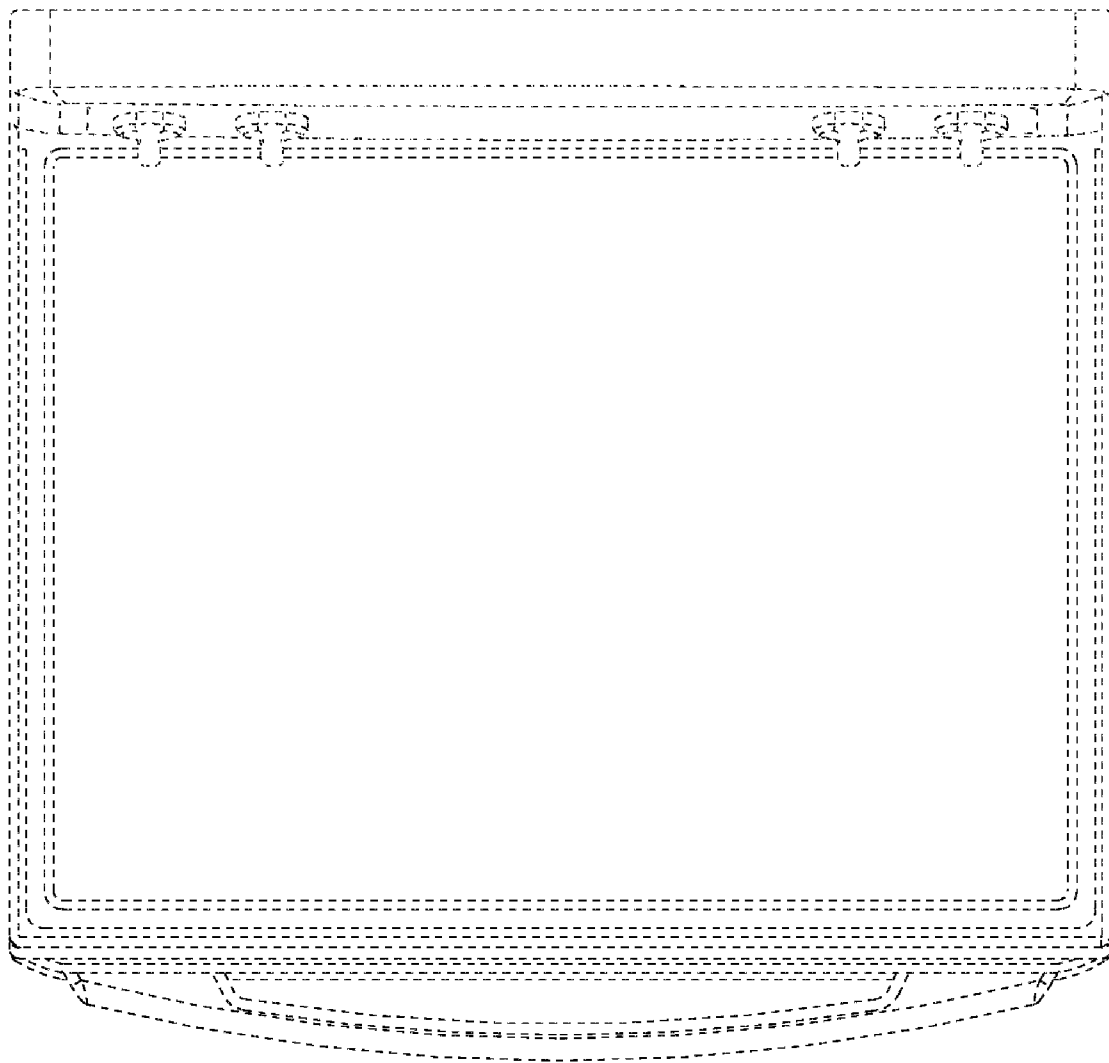


Fig. 4

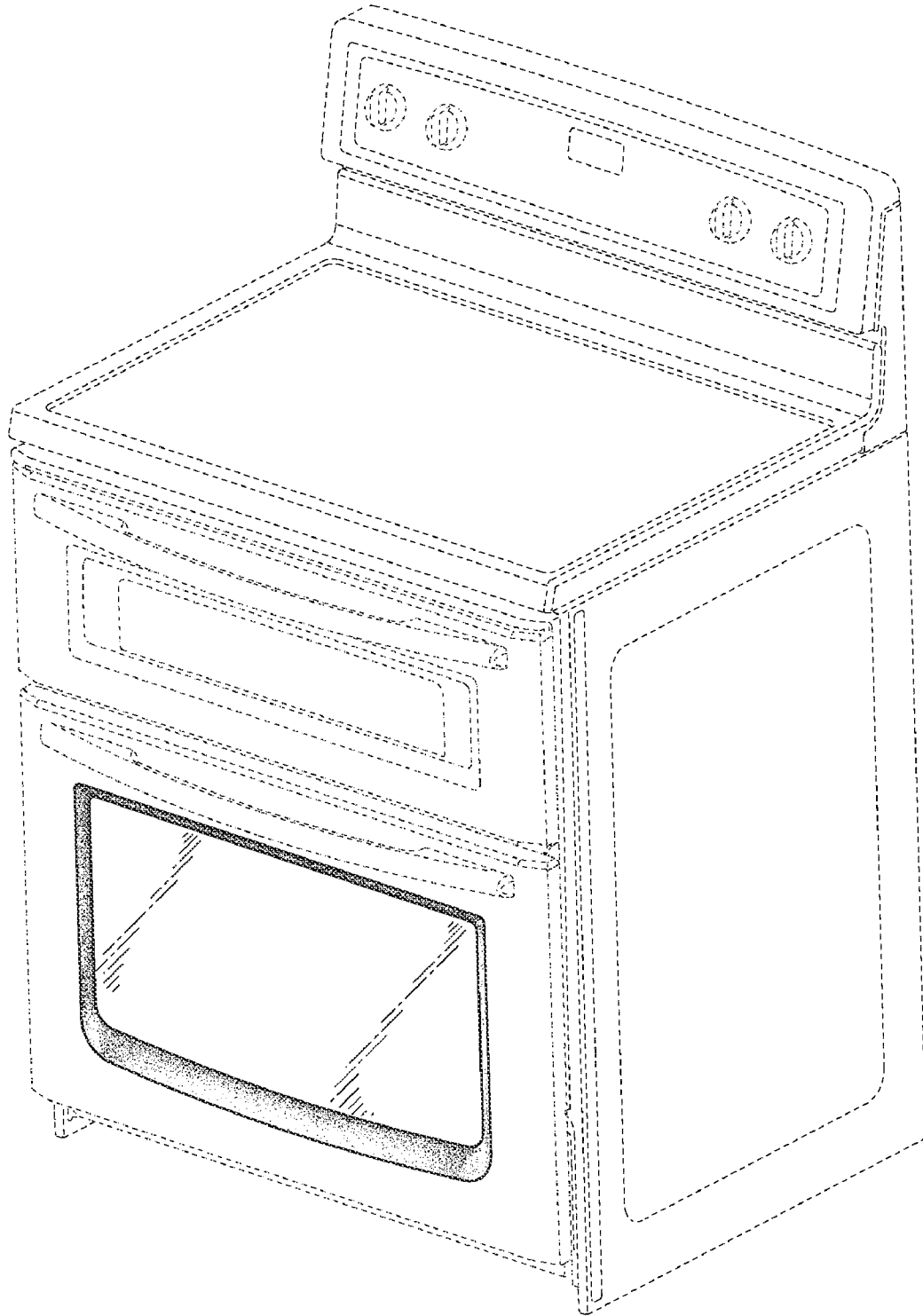


Fig. 5

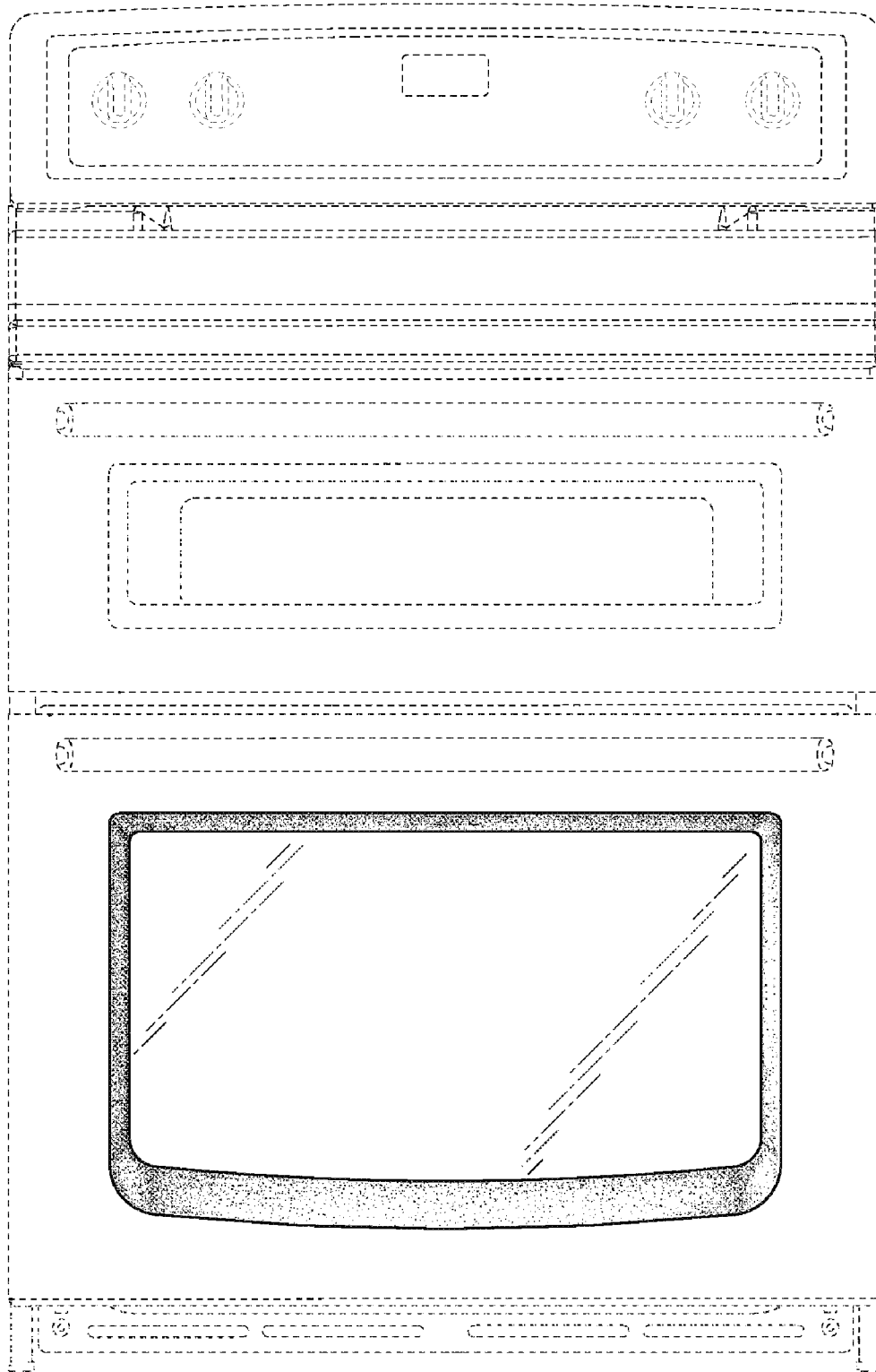


Fig. 6

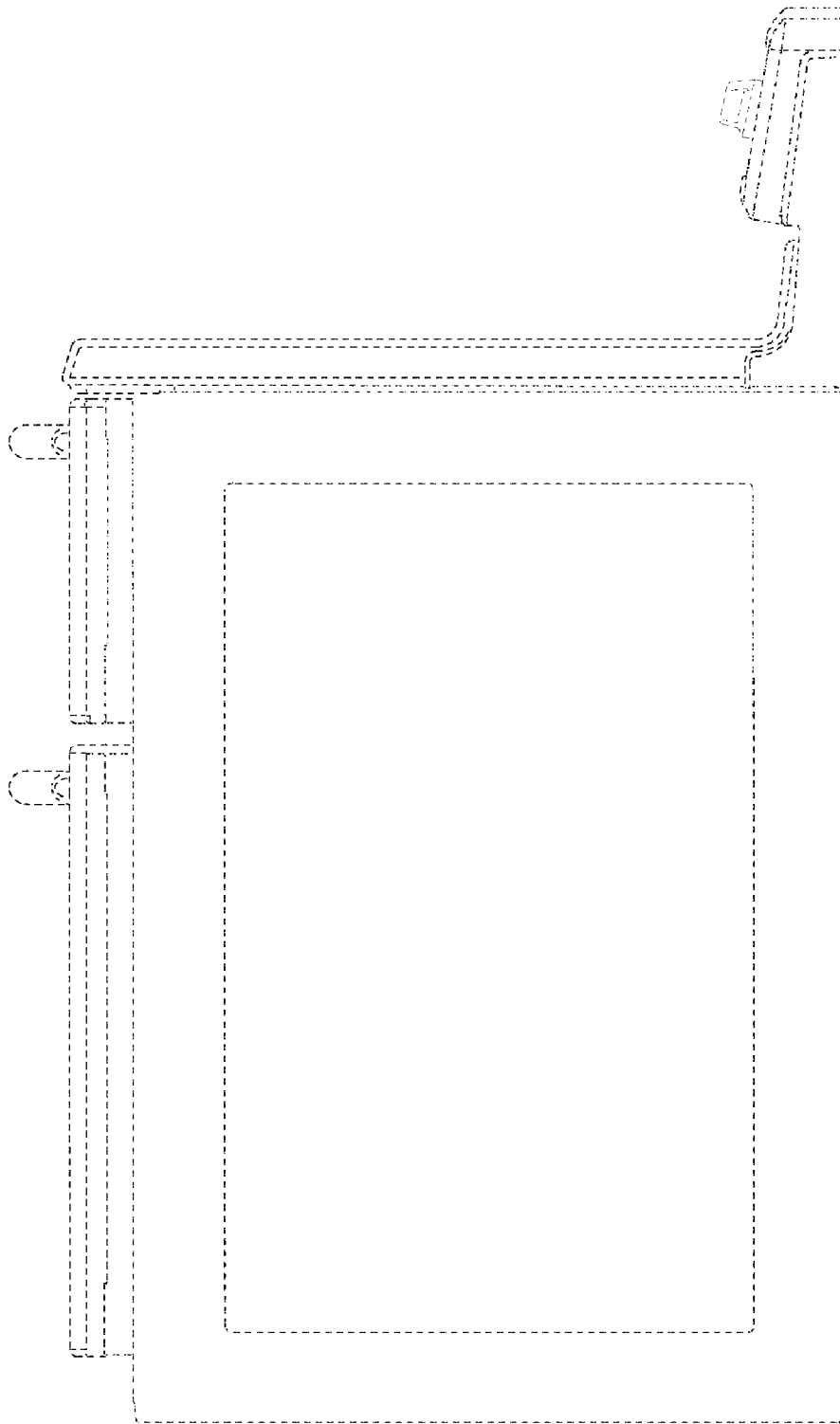


Fig. 7

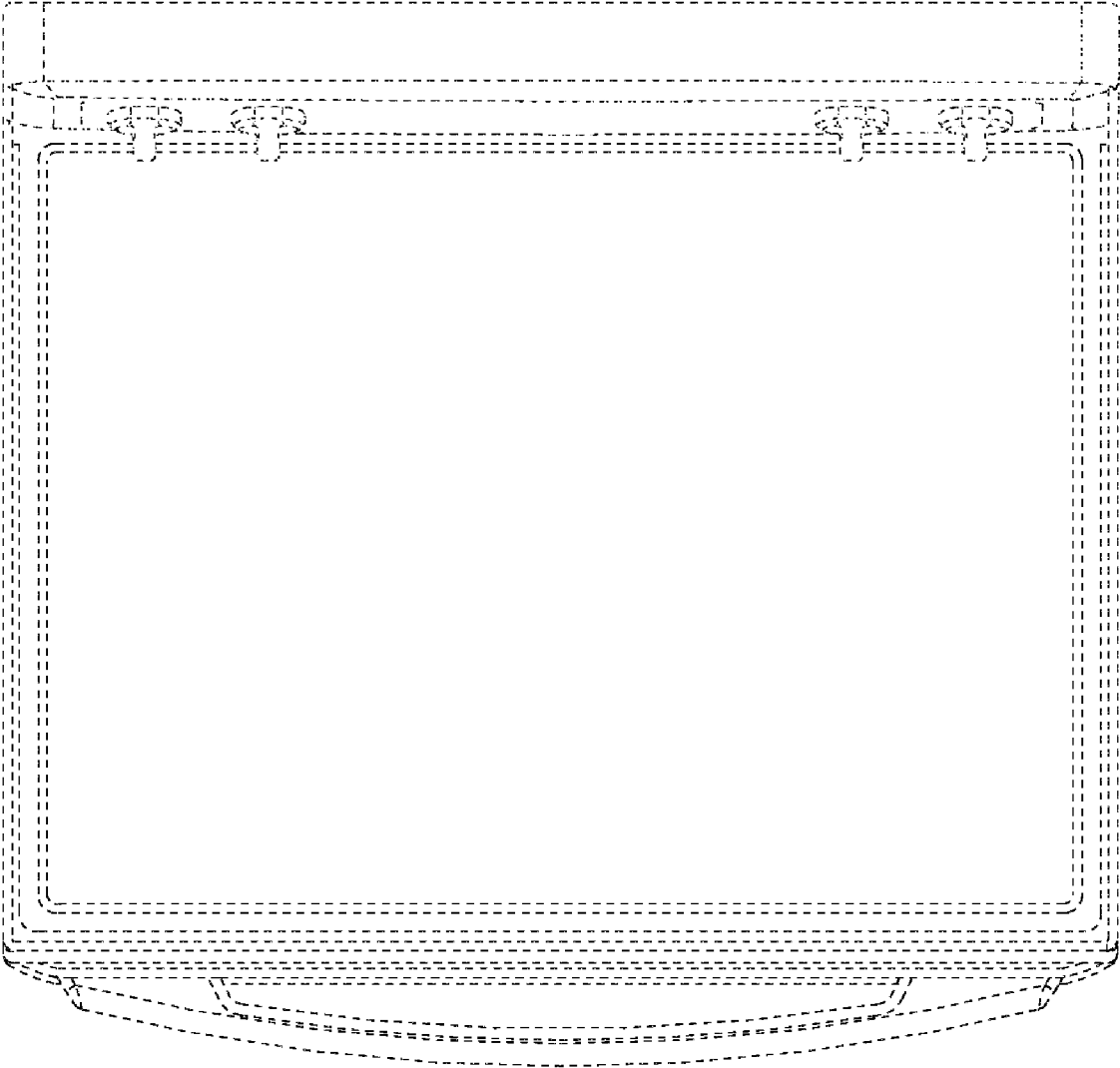


Fig. 8