



(12) **United States Design Patent**
Nara

(10) **Patent No.:** **US D888,253 S**
(45) **Date of Patent:** **** Jun. 23, 2020**

- (54) **MASTICATION MONITORING DEVICE**
- (71) Applicant: **Sharp Kabushiki Kaisha**, Sakai, Osaka (JP)
- (72) Inventor: **Shunsuke Nara**, Sakai (JP)
- (73) Assignee: **Sharp Kabushiki Kaisha**, Sakai, Osaka (JP)
- (**) Term: **15 Years**

D827,143 S * 8/2018 Dayal D24/187
 D832,824 S * 11/2018 Kim D14/223
 D836,194 S * 12/2018 Cindrich D24/141
 (Continued)

FOREIGN PATENT DOCUMENTS

JP D1347547 1/2009
 JP D1524929 6/2015
 (Continued)

OTHER PUBLICATIONS

Counting calories from . . . the ear. Online, published date Nov. 7, 2014. Retrieved on May 28, 2019 from URL: <https://news.yahoo.com/counting-calories-ear-161407510.html>.*

Primary Examiner — Susan Bennett Hattan
Assistant Examiner — Omeed Agilee
 (74) *Attorney, Agent, or Firm* — Nixon & Vanderhye P.C.

- (21) Appl. No.: **29/640,037**
- (22) Filed: **Mar. 12, 2018**
- (30) **Foreign Application Priority Data**
 Sep. 27, 2017 (JP) 2017-021132
- (51) **LOC (12) CL.** **24-02**
- (52) **U.S. CL.**
 USPC **D24/187**
- (58) **Field of Classification Search**
 USPC D24/107, 136, 165–168, 173–175, 186,
 D24/187, 191, 193, 194, 200; D14/188,
 D14/192, 204, 205, 206, 209, 223, 224,
 D14/225, 240
 CPC A61B 5/14552
 See application file for complete search history.

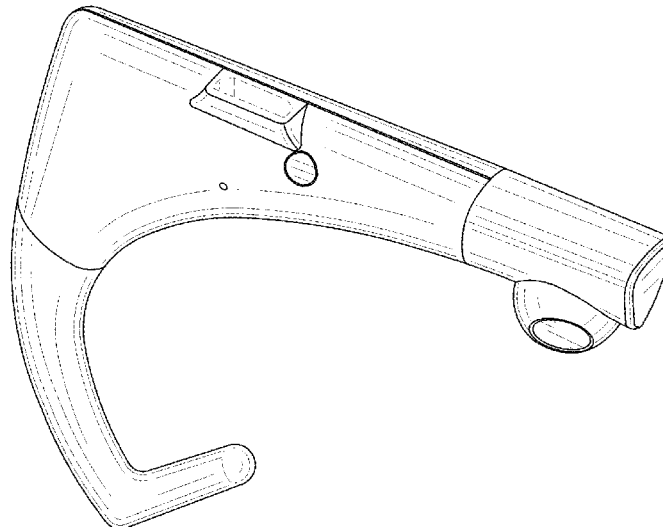
(57) **CLAIM**
 The ornamental design for a mastication monitoring device, as shown and described.

DESCRIPTION

FIG. 1 is a front, left perspective view of a mastication monitoring device in accordance with my new design; FIG. 2 is rotated, rear, left perspective view thereof; FIG. 3 a front elevation view thereof; FIG. 4 is a rear elevation view thereof; FIG. 5 is a top plan view thereof; FIG. 6 is a bottom plan view thereof; FIG. 7 is a right side elevation view thereof; and, FIG. 8 is a left side elevation view thereof. The mastication monitoring device may be hooked on an ear to measure data of mastication frequency and speed. The broken lines in the drawings depict portions of the mastication monitoring device that form no part of the claimed design.

- (56) **References Cited**
U.S. PATENT DOCUMENTS
 D468,299 S * 1/2003 Boesen D14/223
 D530,819 S * 10/2006 Jurkiewicz D24/174
 D565,022 S * 3/2008 Belliveau D14/205
 D575,872 S * 8/2008 Pedersen D24/174
 D603,379 S * 11/2009 Harbeke D14/223
 D681,002 S * 4/2013 Ham D14/205
 D723,171 S * 2/2015 Ilic D24/174
 D762,857 S * 8/2016 Ilic D24/174
 D774,021 S * 12/2016 Pedersen D14/223
 D788,751 S * 6/2017 Pejaudier D14/223
 D797,939 S * 9/2017 Tipsmark D24/174

1 Claim, 6 Drawing Sheets



(56)

References Cited

U.S. PATENT DOCUMENTS

D845,467 S * 4/2019 Henne D24/113
D845,487 S * 4/2019 Zheng D24/174
D847,794 S * 5/2019 Guo D14/223

FOREIGN PATENT DOCUMENTS

JP D1524930 6/2015
JP D1575943 5/2017

* cited by examiner

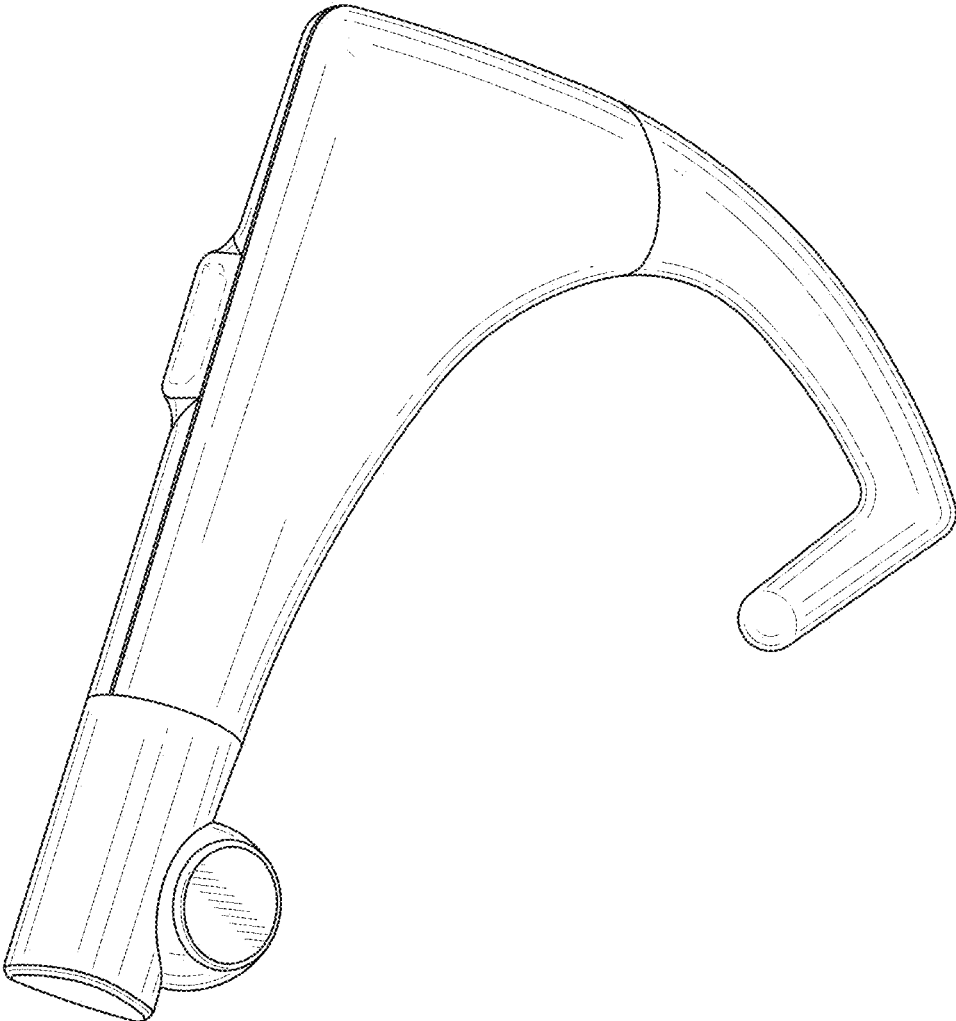


FIG. 1

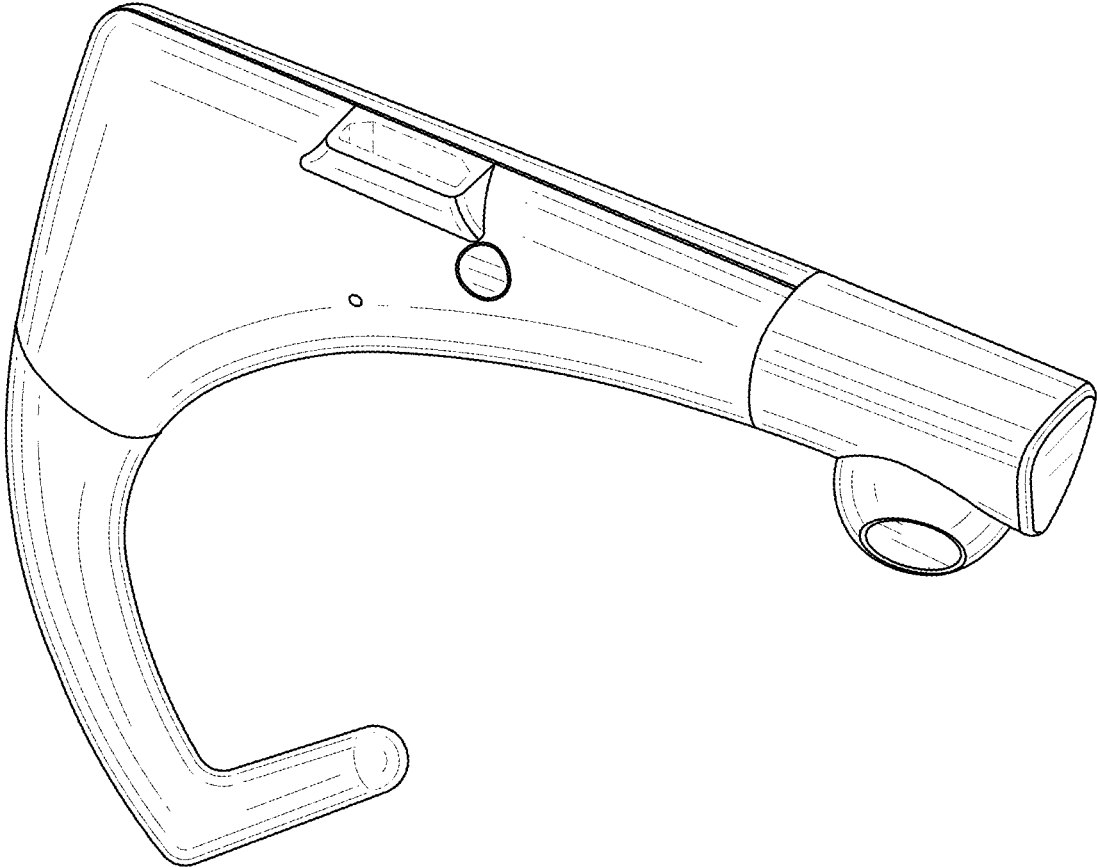


FIG. 2

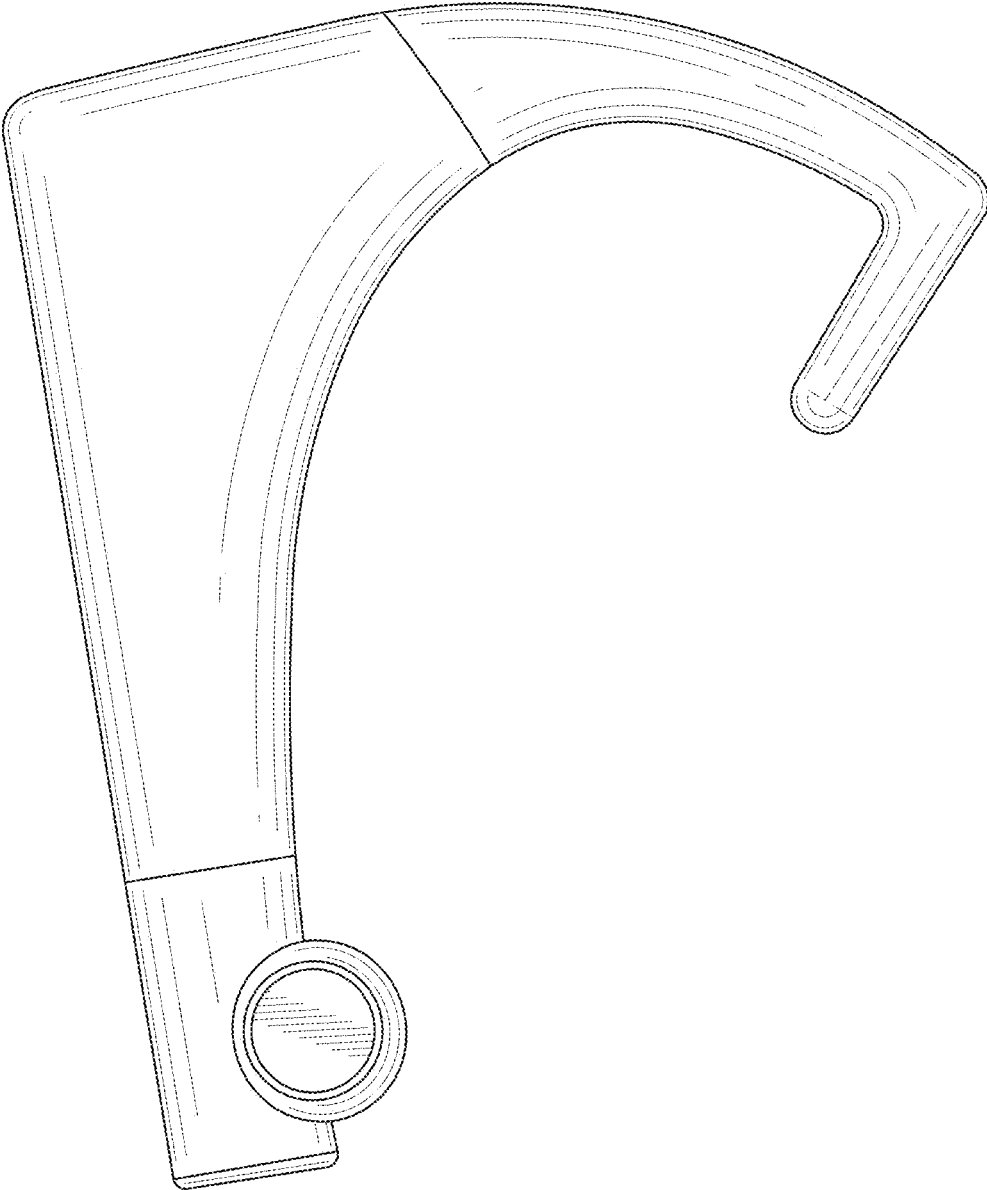


FIG. 3

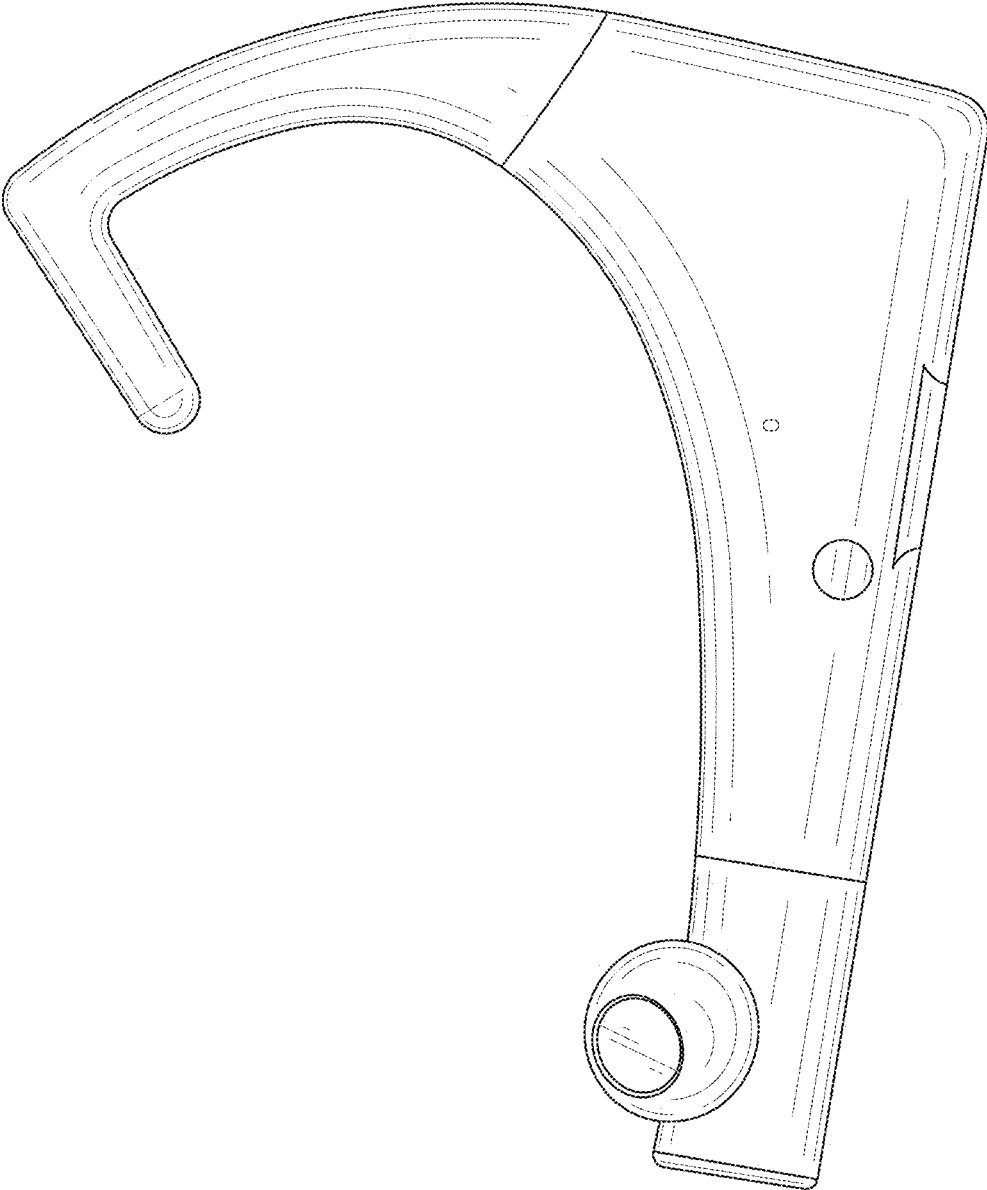


FIG. 4

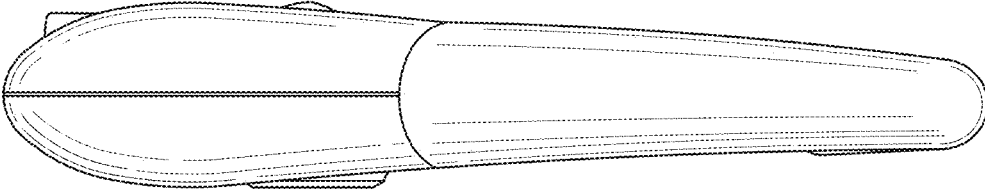


FIG. 5

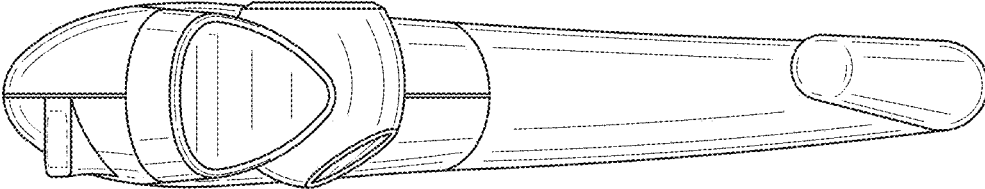


FIG. 6

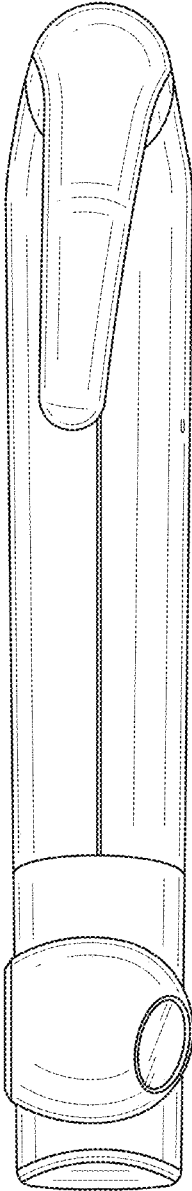


FIG. 7

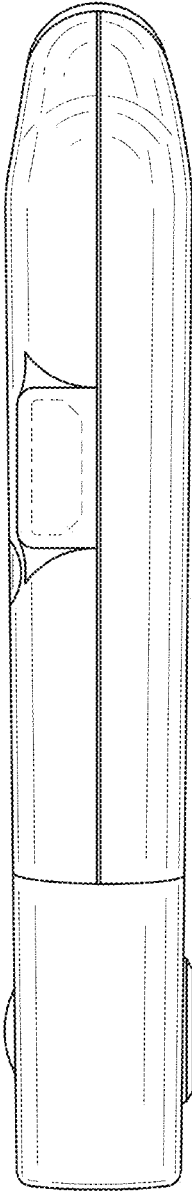


FIG. 8