



US00D714970S

(12) **United States Design Patent**
Wu et al.

(10) **Patent No.:** **US D714,970 S**
(45) **Date of Patent:** **** Oct. 7, 2014**

(54) **LAMP HOUSING**

(75) Inventors: **Shun-Ho Wu**, Kaohsiung (TW);
Chih-Cheng Huang, Kaohsiung (TW)

(73) Assignee: **Taiwan Fu Hsing Industrial Co., Ltd.**,
Kaohsiung (TW)

(**) Term: **14 Years**

(21) Appl. No.: **29/414,082**

(22) Filed: **Feb. 24, 2012**

(30) **Foreign Application Priority Data**

Feb. 4, 2012 (TW) 101300530

(51) **LOC (10) Cl.** **26-04**

(52) **U.S. Cl.**
USPC **D26/2; D26/118**

(58) **Field of Classification Search**
USPC D26/1, 2, 5-7, 26, 74, 80-85, 88, 89,
D26/93, 106, 113, 118-120; D8/16, 19, 20,
D8/302, 317; D28/91.2; 362/216, 217.01,
362/217.07, 235, 362, 373, 294; 601/137;
313/313, 315-317, 318.01, 318.09,
313/318.1, 318.11, 318.12; 315/52, 53,
315/56-58
See application file for complete search history.

(56) **References Cited**

U.S. PATENT DOCUMENTS

4,508,772	A	*	4/1985	Churchland et al.	428/106
D313,669	S	*	1/1991	Sonneman	D26/85
5,343,111	A	*	8/1994	Miwa et al.	313/313
D455,161	S	*	4/2002	Choi	D15/89
D587,982	S	*	3/2009	Mattson et al.	D8/317
D598,269	S	*	8/2009	Hanes	D8/317
D614,012	S	*	4/2010	Saubert et al.	D8/317
D614,013	S	*	4/2010	Saubert et al.	D8/317

D642,319	S	*	7/2011	Sprengers	D26/85
D642,891	S	*	8/2011	Roe et al.	D8/317
D656,502	S	*	3/2012	Cacioppo et al.	D14/453
8,246,215	B2	*	8/2012	Lu et al.	362/294
D668,927	S	*	10/2012	Matei et al.	D8/302
8,282,230	B2	*	10/2012	Stewart et al.	362/373
8,434,917	B2	*	5/2013	Lai	362/373
8,444,299	B2	*	5/2013	Chou et al.	362/373
D685,236	S	*	7/2013	Barnhart et al.	D8/19
2013/0100682	A1	*	4/2013	Hsiung	362/373
2013/0188367	A1	*	7/2013	Wu et al.	362/362
2013/0294071	A1	*	11/2013	Boomgaarden et al.	362/235
2013/0335982	A1	*	12/2013	Wu et al.	362/382
2013/0343064	A1	*	12/2013	Wu et al.	362/373

* cited by examiner

Primary Examiner — Garth Rademaker

Assistant Examiner — Llorellys Martinez-Revira

(74) *Attorney, Agent, or Firm* — Jackson IPG PLLC

(57) **CLAIM**

The ornamental design for a lamp housing, as shown and described.

DESCRIPTION

FIG. 1 is a perspective view of a lamp housing showing our new design;

FIG. 2 is a front elevational view thereof;

FIG. 3 is a top plan view thereof;

FIG. 4 is a right side elevational view thereof;

FIG. 5 is a left side elevational view thereof;

FIG. 6 is a rear elevational view thereof;

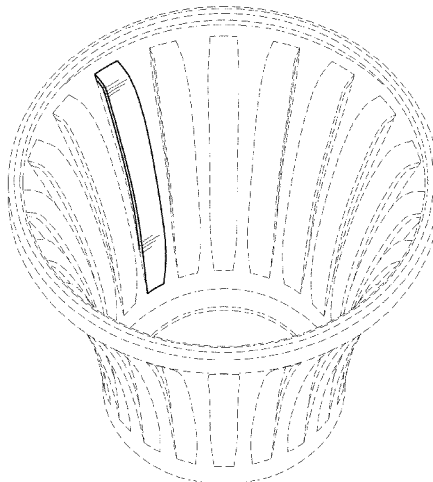
FIG. 7 is a bottom plan view thereof;

FIG. 8 is a cross-sectional view thereof, taken along line 8-8 in FIG. 2; and,

FIG. 9 is a cross-sectional view thereof, taken along line 9-9 in FIG. 3.

The broken lines shown in the drawings depict environmental subject matter only and form no part of the claimed design.

1 Claim, 5 Drawing Sheets



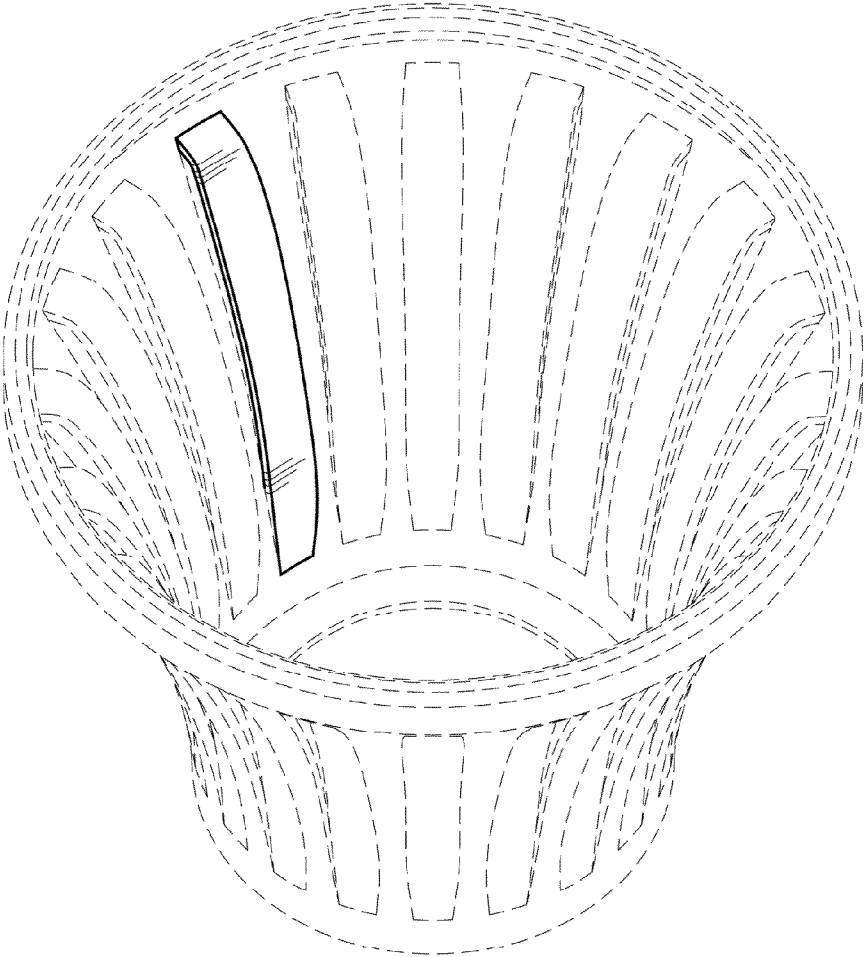


FIG. 1

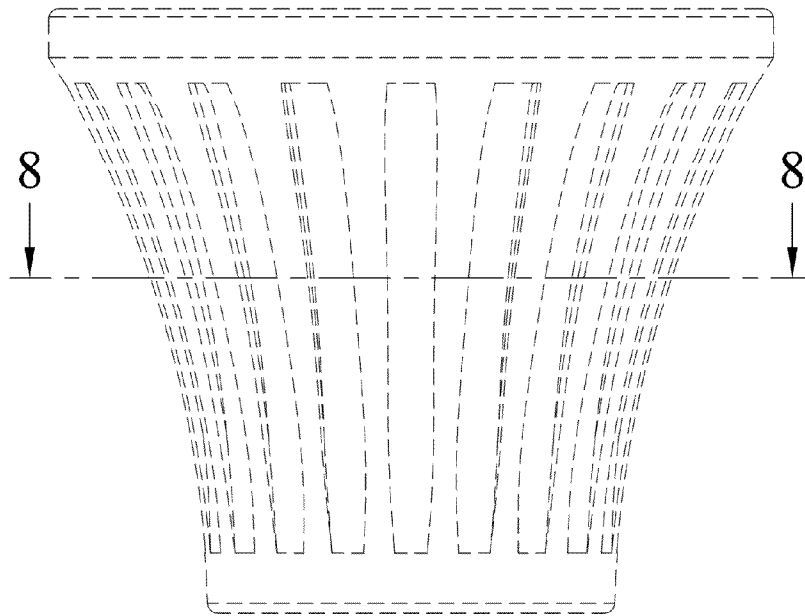


FIG. 2

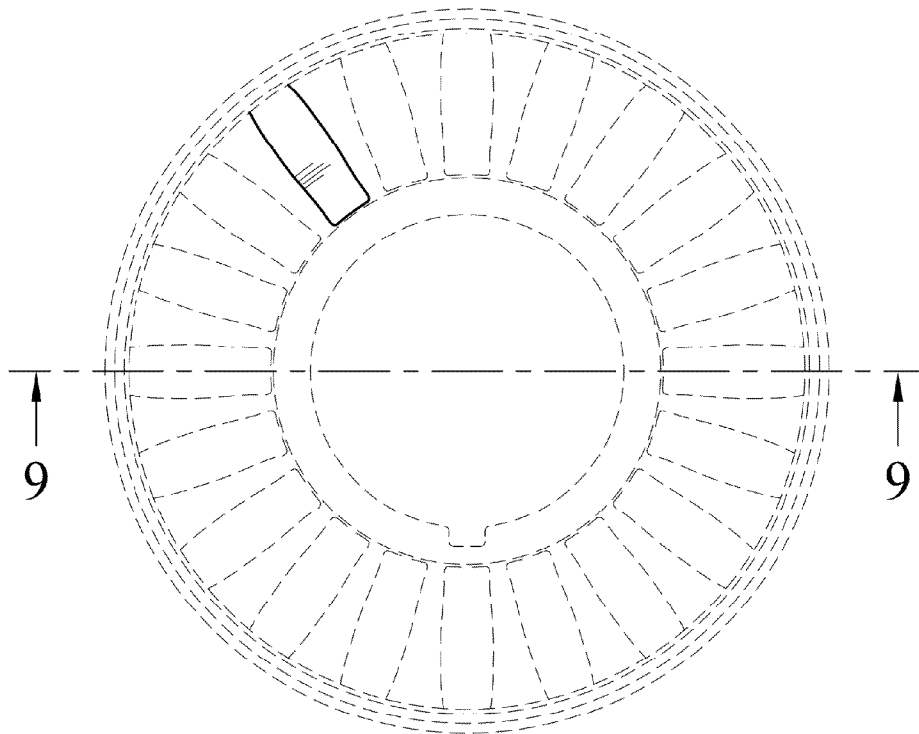


FIG. 3

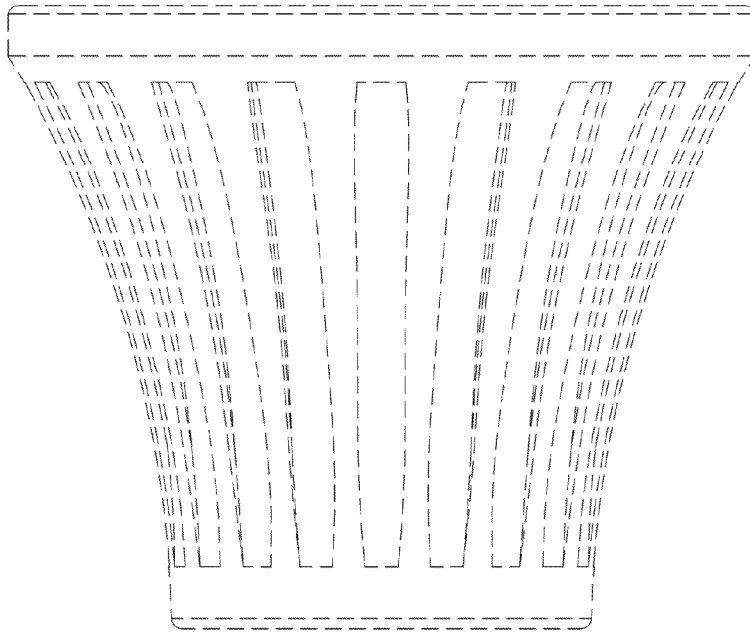


FIG. 4

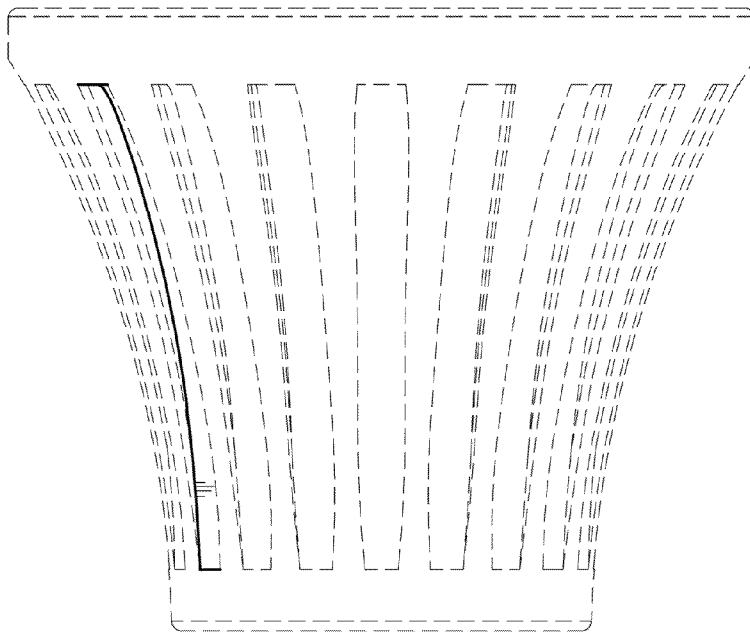


FIG. 5

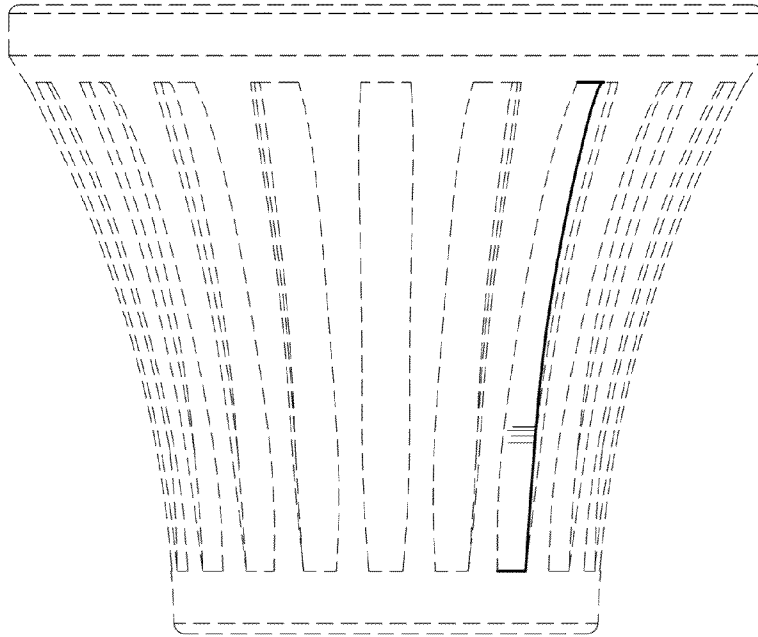


FIG. 6

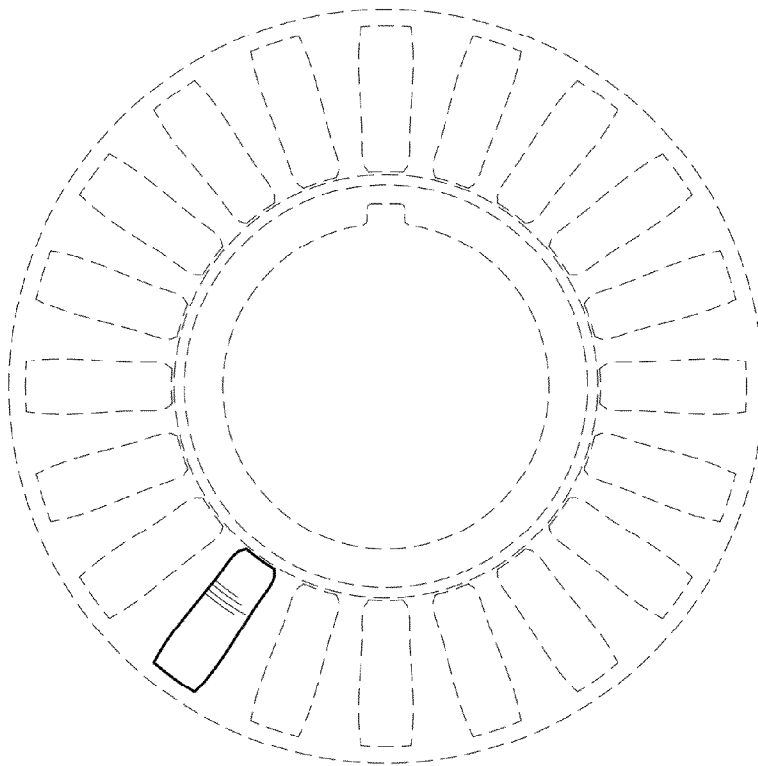


FIG. 7

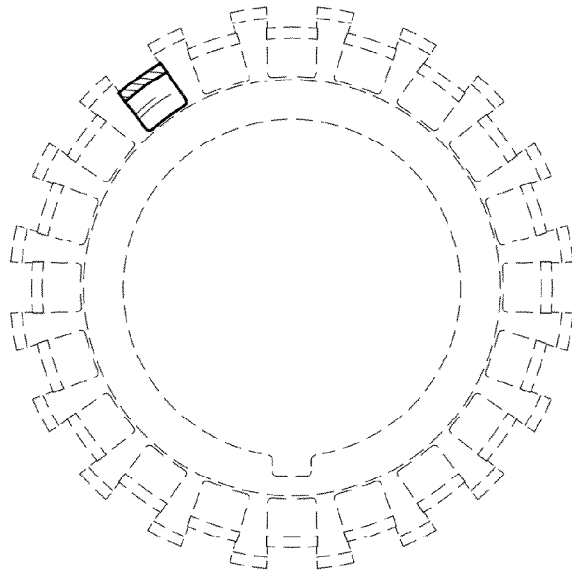


FIG. 8

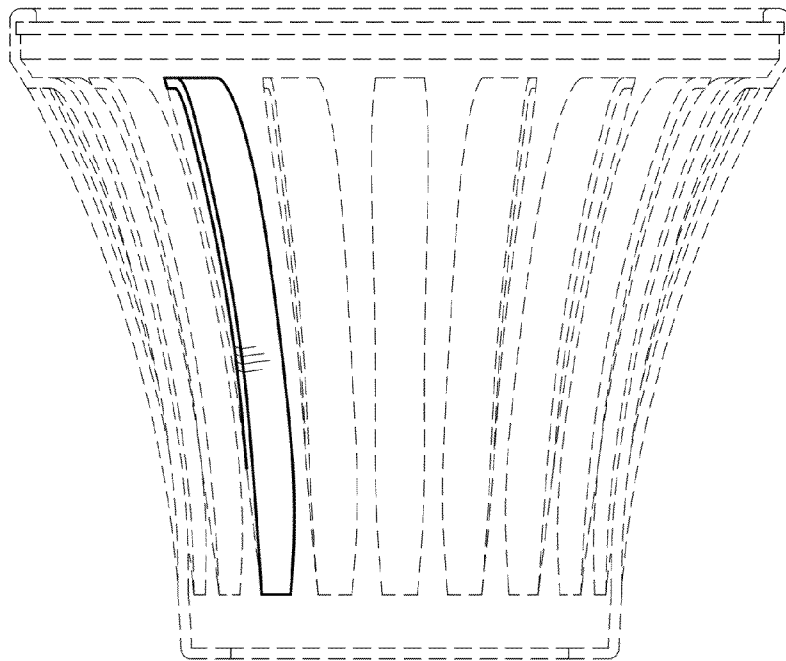


FIG. 9