

(19) World Intellectual Property Organization
International Bureau



(43) International Publication Date
27 December 2002 (27.12.2002)

PCT

(10) International Publication Number
WO 02/103890 A3

(51) International Patent Classification⁷: H03F 1/32

(74) Agents: HOGG, Jeffery, Keith et al.; Withers & Rogers, Goldings House, 2 Hays Lane, London SE1 2HW (GB).

(21) International Application Number: PCT/GB02/02659

(22) International Filing Date: 12 June 2002 (12.06.2002)

(25) Filing Language: English

(26) Publication Language: English

(30) Priority Data:
0114801.4 15 June 2001 (15.06.2001) GB

(71) Applicant (for all designated States except US): AN-DREW CORPORATION [US/US]; 10500 West 153rd Street, Orland Park, IL 60462 (US).

(81) Designated States (national): AE, AG, AL, AM, AT, AU, AZ, BA, BB, BG, BR, BY, BZ, CA, CH, CN, CO, CR, CU, CZ, DE, DK, DM, DZ, EC, EE, ES, FI, GB, GD, GE, GH, GM, HR, HU, ID, IL, IN, IS, JP, KE, KG, KP, KR, KZ, LC, LK, LR, LS, LT, LU, LV, MA, MD, MG, MK, MN, MW, MX, MZ, NO, NZ, OM, PH, PL, PT, RO, RU, SD, SE, SG, SI, SK, SL, TJ, TM, TN, TR, TT, TZ, UA, UG, US, UZ, VN, YU, ZA, ZM, ZW.

(84) Designated States (regional): ARIPO patent (GH, GM, KE, LS, MW, MZ, SD, SL, SZ, TZ, UG, ZM, ZW), Eurasian patent (AM, AZ, BY, KG, KZ, MD, RU, TJ, TM), European patent (AT, BE, CH, CY, DE, DK, ES, FI, FR, GB, GR, IE, IT, LU, MC, NL, PT, SE, TR), OAPI patent (BF, BJ, CF, CG, CI, CM, GA, GN, GQ, GW, ML, MR, NE, SN, TD, TG).

(72) Inventors; and

(75) Inventors/Applicants (for US only): BISHOP, John [GB/GB]; The Thatched Cottage, Church Road, Liddington, Swindon, Wiltshire SN4 0HB (GB). SMITHSON, Antony, James [GB/GB]; 68 Amberley Way, Wickwar, Wotton-Under-Edge, South Gloucestershire GL12 8LP (GB). BENNETT, Richard, Michael [GB/GB]; 37 Eastfield, Westbury on Trym, Bristol BS9 4BG (GB).

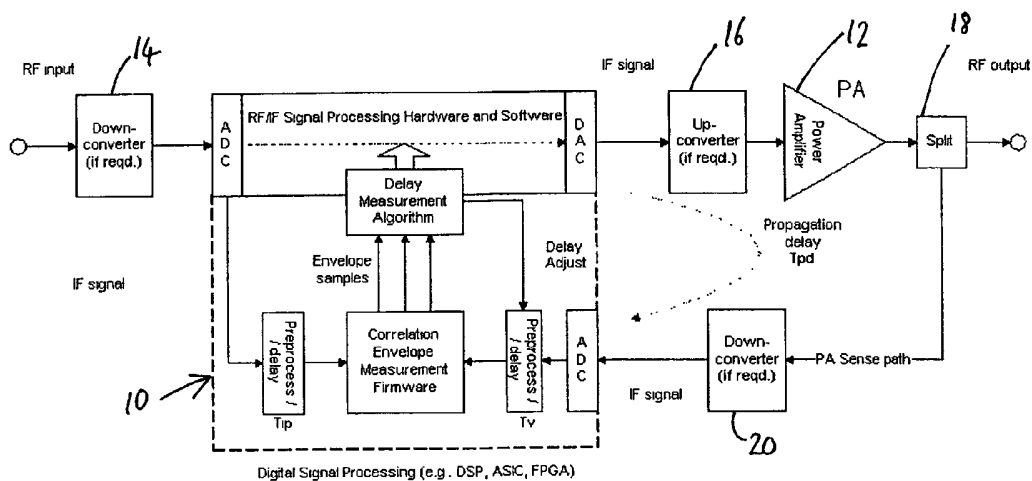
Published:

— with international search report

(88) Date of publication of the international search report:
30 October 2003

[Continued on next page]

(54) Title: TIME ALIGNMENT OF SIGNALS



(57) Abstract: Envelope-type signals are detected for the input and output of a linearised amplifier (12). The variance of the signal obtained from the output is measured and a variable delay (24) between the detected signals is adjusted to minimise the variance. The value of the variable delay then gives the propagation delays through the linearised amplifier. Further envelope-type signal from the output and interpolation can be used to enhance the adjustment of the delay to minimise variance.

WO 02/103890 A3



For two-letter codes and other abbreviations, refer to the "Guidance Notes on Codes and Abbreviations" appearing at the beginning of each regular issue of the PCT Gazette.

INTERNATIONAL SEARCH REPORT

Internat. Application No
PCT/GB 02/02659

A. CLASSIFICATION OF SUBJECT MATTER
IPC 7 H03F1/32

According to International Patent Classification (IPC) or to both national classification and IPC

B. FIELDS SEARCHED

Minimum documentation searched (classification system followed by classification symbols)
IPC 7 H03F

Documentation searched other than minimum documentation to the extent that such documents are included in the fields searched

Electronic data base consulted during the international search (name of data base and, where practical, search terms used)

EPO-Internal

C. DOCUMENTS CONSIDERED TO BE RELEVANT

Category *	Citation of document, with indication, where appropriate, of the relevant passages	Relevant to claim No.
X	EP 1 089 428 A (TOKYO SHIBAURA ELECTRIC CO) 4 April 2001 (2001-04-04) paragraphs '0014!-'0018!', '0034!-'0037!; figures 2,5A,5B,6A,6B ---	1-3, 12-15, 24-27
X	WO 99 05869 A (HARRIS CORP) 4 February 1999 (1999-02-04) page 12, line 7 -page 14, line 10; figure 4 ---	1-5,7,8, 12-17, 19,20, 24-27
X	US 3 843 930 A (BURNSWEIG J) 22 October 1974 (1974-10-22) column 7, line 26 -column 9, line 13; figure 7 --- -/--	1,2,4,6, 13,16,18

Further documents are listed in the continuation of box C.

Patent family members are listed in annex.

* Special categories of cited documents:

- *A* document defining the general state of the art which is not considered to be of particular relevance
- *E* earlier document but published on or after the international filing date
- *L* document which may throw doubts on priority claim(s) or which is cited to establish the publication date of another citation or other special reason (as specified)
- *O* document referring to an oral disclosure, use, exhibition or other means
- *P* document published prior to the international filing date but later than the priority date claimed

- *T* later document published after the international filing date or priority date and not in conflict with the application but cited to understand the principle or theory underlying the invention
- *X* document of particular relevance; the claimed invention cannot be considered novel or cannot be considered to involve an inventive step when the document is taken alone
- *Y* document of particular relevance; the claimed invention cannot be considered to involve an inventive step when the document is combined with one or more other such documents, such combination being obvious to a person skilled in the art.
- *G* document member of the same patent family

Date of the actual completion of the international search

10 July 2003

Date of mailing of the international search report

25/07/2003

Name and mailing address of the ISA

European Patent Office, P.B. 5818 Patentlaan 2
NL - 2280 HV Rijswijk
Tel. (+31-70) 340-2040, Tx. 31 651 epo nl,
Fax: (+31-70) 340-3016

Authorized officer

Agerbaek, T

INTERNATIONAL SEARCH REPORT

Internat Application No
PCT/GB 02/02659

C.(Continuation) DOCUMENTS CONSIDERED TO BE RELEVANT		
Category *	Citation of document, with indication, where appropriate, of the relevant passages	Relevant to claim No.
X A	US 5 489 875 A (CAVERS JAMES K) 6 February 1996 (1996-02-06) column 5, line 22 -column 7, line 53; figures 1,4,5A -----	1 9-11

INTERNATIONAL SEARCH REPORT

Intern: Application No
PCT/GB 02/02659

Patent document cited in search report		Publication date	Patent family member(s)	Publication date
EP 1089428	A	04-04-2001	CN 1290999 A	11-04-2001
			EP 1089428 A2	04-04-2001
			JP 2001168774 A	22-06-2001

WO 9905869	A	04-02-1999	US 6285412 B1	04-09-2001
			AU 752776 B2	26-09-2002
			AU 8414298 A	16-02-1999
			BR 9810788 A	02-01-2002
			CN 1268271 T	27-09-2000
			EP 0998823 A2	10-05-2000
			JP 2001511631 T	14-08-2001
			WO 9905869 A2	04-02-1999
			US 6335767 B1	01-01-2002
			US 2001038423 A1	08-11-2001

US 3843930	A	22-10-1974	US 3771062 A	06-11-1973

US 5489875	A	06-02-1996	NONE	
