

(19) World Intellectual Property Organization
International Bureau



(43) International Publication Date
18 September 2008 (18.09.2008)

PCT

(10) International Publication Number
WO 2008/111958 A3

- (51) International Patent Classification:
F41G 1/38 (2006.01)
- (21) International Application Number:
PCT/US2007/020396
- (22) International Filing Date:
19 September 2007 (19.09.2007)
- (25) Filing Language: English
- (26) Publication Language: English
- (30) Priority Data:
11/646,870 27 December 2006 (27.12.2006) US
- (71) Applicant (for all designated States except US): SURE-FIRE, LLC [US/US]; 18300 Mount Baldy Circle, Fountain Valley, CA 92708 (US).
- (72) Inventors; and
- (75) Inventors/Applicants (for US only): MATTHEWS, John, W. [US/US]; 1718 Galaxy Drive, Newport Beach, CA 92660 (US). LA FRANCE, Timothy, F. [US/US]; 31 Cabrillo Street, Newport Beach, CA 92663 (US). PICCIOTTA, Michael, D. [US/US]; 17111 Vista Moraga, Yorba Linda, CA 92886 (US).
- (74) Agents: CARTE, Norman, E. et al.; MacPherson Kwok Chen & Heid, LLP, 2033 Gateway Place, Suite 400, San Jose, CA 95110 (US).

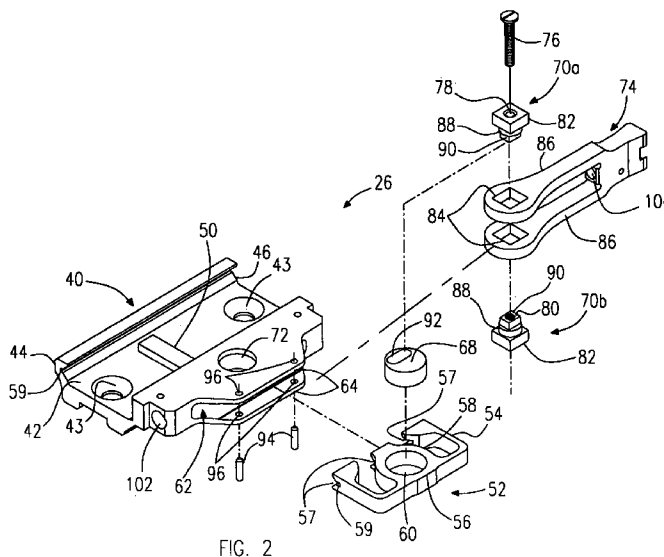
- (81) Designated States (unless otherwise indicated, for every kind of national protection available): AE, AG, AL, AM, AT, AU, AZ, BA, BB, BG, BH, BR, BW, BY, BZ, CA, CH, CN, CO, CR, CU, CZ, DE, DK, DM, DO, DZ, EC, EE, EG, ES, FI, GB, GD, GE, GH, GM, GT, HN, HR, HU, ID, IL, IN, IS, JP, KE, KG, KM, KN, KP, KR, KZ, LA, LC, LK, LR, LS, LT, LU, LY, MA, MD, ME, MG, MK, MN, MW, MX, MY, MZ, NA, NG, NI, NO, NZ, OM, PG, PH, PL, PT, RO, RS, RU, SC, SD, SE, SG, SK, SL, SM, SV, SY, TJ, TM, TN, TR, TT, TZ, UA, UG, US, UZ, VC, VN, ZA, ZM, ZW.
- (84) Designated States (unless otherwise indicated, for every kind of regional protection available): ARIPO (BW, GH, GM, KE, LS, MW, MZ, NA, SD, SL, SZ, TZ, UG, ZM, ZW), Eurasian (AM, AZ, BY, KG, KZ, MD, RU, TJ, TM), European (AT, BE, BG, CH, CY, CZ, DE, DK, EE, ES, FI, FR, GB, GR, HU, IE, IS, IT, LT, LU, LV, MC, MT, NL, PL, PT, RO, SE, SI, SK, TR), OAPI (BF, BJ, CF, CG, CI, CM, GA, GN, GQ, GW, ML, MR, NE, SN, TD, TG).

Declarations under Rule 4.17:

- as to applicant's entitlement to apply for and be granted a patent (Rule 4.17(ii))
- as to the applicant's entitlement to claim the priority of the earlier application (Rule 4.17(iii))
- of inventorship (Rule 4.17(iv))

[Continued on next page]

(54) Title: RAIL CLAMP MOUNT



(57) Abstract: A rail clamp mount that may be quickly and easily firmly secured to a rail, such as a rail carried by a gun, and that may be quickly and easily released from the rail. A preferred embodiment comprises a mount base including a first rail-engaging surface; a generally U-shaped, somewhat elastic clamping member carried by the mount base and including two second rail-engaging surfaces at the ends of the legs of the U, and a third second rail-engaging surface at the end of the center section of the clamping member between the legs of the U, the second rail-engaging surfaces being opposed to and transversely spaced from the first rail-engaging surface; a cam mechanism mounting the clamping member to the mount base for imparting transverse movement to the clamping member when actuated; and an actuator for the cam mechanism including a throw handle.

WO 2008/111958 A3



Published:

- *with international search report*
- *before the expiration of the time limit for amending the claims and to be republished in the event of receipt of amendments*

(88) Date of publication of the international search report:
20 November 2008

INTERNATIONAL SEARCH REPORT

International application No.

PCT/US 07/20396

<p>A. CLASSIFICATION OF SUBJECT MATTER IPC(8) - F41G 1/38 (2008.04) USPC - 42/124 According to International Patent Classification (IPC) or to both national classification and IPC</p>																	
<p>B. FIELDS SEARCHED</p> <p>Minimum documentation searched (classification system followed by classification symbols) IPC(8): F41G 1/38 (2008.04) USPC: 42/124</p> <p>Documentation searched other than minimum documentation to the extent that such documents are included in the fields searched IPC(8): F41G 1/38 (2008.04) - see search terms below USPC: 42/125; 42/127; 42/90 - see search terms below</p> <p>Electronic data base consulted during the international search (name of data base and, where practicable, search terms used) PubWEST(USPT,PGPB,EPAB,JPAB); DialogPRO(Engineering); Google Scholar Search Terms: Rail, clamp, mount, cam, lock, weapon, lever, eccentric, U-shaped, V-shaped, W-shaped, groove, nadir, firearm, gun, bottom, rifle, gunsight, light, laser, beam, actuate, scope</p>																	
<p>C. DOCUMENTS CONSIDERED TO BE RELEVANT</p> <table border="1" style="width:100%; border-collapse: collapse;"> <thead> <tr> <th style="width:10%;">Category*</th> <th style="width:70%;">Citation of document, with indication, where appropriate, of the relevant passages</th> <th style="width:20%;">Relevant to claim No.</th> </tr> </thead> <tbody> <tr> <td align="center">Y</td> <td>US 2006/0123686 A1 (LARUE) 15 June 2006 (15.06.2006), entire document especially Fig 5, 7, 13, 14, 19, para [0002]</td> <td align="center">1-40</td> </tr> <tr> <td align="center">Y</td> <td>US 3,877,166 A (WARD) 15 April 1975 (15.04.1975), Fig 2, 4, 5</td> <td align="center">1-40</td> </tr> <tr> <td align="center">Y</td> <td>US 3,474,389 A (NAGANO) 21 October 1969 (21.10.1969), Fig 2</td> <td align="center">2-19 and 21-40</td> </tr> <tr> <td align="center">Y</td> <td>US 5,458,060 A (CASL) 17 October 1995 (17.10.1995), Fig 9, 10</td> <td align="center">23, 25, 33, and 38</td> </tr> </tbody> </table>			Category*	Citation of document, with indication, where appropriate, of the relevant passages	Relevant to claim No.	Y	US 2006/0123686 A1 (LARUE) 15 June 2006 (15.06.2006), entire document especially Fig 5, 7, 13, 14, 19, para [0002]	1-40	Y	US 3,877,166 A (WARD) 15 April 1975 (15.04.1975), Fig 2, 4, 5	1-40	Y	US 3,474,389 A (NAGANO) 21 October 1969 (21.10.1969), Fig 2	2-19 and 21-40	Y	US 5,458,060 A (CASL) 17 October 1995 (17.10.1995), Fig 9, 10	23, 25, 33, and 38
Category*	Citation of document, with indication, where appropriate, of the relevant passages	Relevant to claim No.															
Y	US 2006/0123686 A1 (LARUE) 15 June 2006 (15.06.2006), entire document especially Fig 5, 7, 13, 14, 19, para [0002]	1-40															
Y	US 3,877,166 A (WARD) 15 April 1975 (15.04.1975), Fig 2, 4, 5	1-40															
Y	US 3,474,389 A (NAGANO) 21 October 1969 (21.10.1969), Fig 2	2-19 and 21-40															
Y	US 5,458,060 A (CASL) 17 October 1995 (17.10.1995), Fig 9, 10	23, 25, 33, and 38															
<p><input type="checkbox"/> Further documents are listed in the continuation of Box C. <input type="checkbox"/></p>																	
<p>* Special categories of cited documents:</p> <table style="width:100%;"> <tr> <td style="width:50%;"> <p>"A" document defining the general state of the art which is not considered to be of particular relevance</p> <p>"E" earlier application or patent but published on or after the international filing date</p> <p>"L" document which may throw doubts on priority claim(s) or which is cited to establish the publication date of another citation or other special reason (as specified)</p> <p>"O" document referring to an oral disclosure, use, exhibition or other means</p> <p>"P" document published prior to the international filing date but later than the priority date claimed</p> </td> <td style="width:50%;"> <p>"T" later document published after the international filing date or priority date and not in conflict with the application but cited to understand the principle or theory underlying the invention</p> <p>"X" document of particular relevance; the claimed invention cannot be considered novel or cannot be considered to involve an inventive step when the document is taken alone</p> <p>"Y" document of particular relevance; the claimed invention cannot be considered to involve an inventive step when the document is combined with one or more other such documents, such combination being obvious to a person skilled in the art</p> <p>"&" document member of the same patent family</p> </td> </tr> </table>			<p>"A" document defining the general state of the art which is not considered to be of particular relevance</p> <p>"E" earlier application or patent but published on or after the international filing date</p> <p>"L" document which may throw doubts on priority claim(s) or which is cited to establish the publication date of another citation or other special reason (as specified)</p> <p>"O" document referring to an oral disclosure, use, exhibition or other means</p> <p>"P" document published prior to the international filing date but later than the priority date claimed</p>	<p>"T" later document published after the international filing date or priority date and not in conflict with the application but cited to understand the principle or theory underlying the invention</p> <p>"X" document of particular relevance; the claimed invention cannot be considered novel or cannot be considered to involve an inventive step when the document is taken alone</p> <p>"Y" document of particular relevance; the claimed invention cannot be considered to involve an inventive step when the document is combined with one or more other such documents, such combination being obvious to a person skilled in the art</p> <p>"&" document member of the same patent family</p>													
<p>"A" document defining the general state of the art which is not considered to be of particular relevance</p> <p>"E" earlier application or patent but published on or after the international filing date</p> <p>"L" document which may throw doubts on priority claim(s) or which is cited to establish the publication date of another citation or other special reason (as specified)</p> <p>"O" document referring to an oral disclosure, use, exhibition or other means</p> <p>"P" document published prior to the international filing date but later than the priority date claimed</p>	<p>"T" later document published after the international filing date or priority date and not in conflict with the application but cited to understand the principle or theory underlying the invention</p> <p>"X" document of particular relevance; the claimed invention cannot be considered novel or cannot be considered to involve an inventive step when the document is taken alone</p> <p>"Y" document of particular relevance; the claimed invention cannot be considered to involve an inventive step when the document is combined with one or more other such documents, such combination being obvious to a person skilled in the art</p> <p>"&" document member of the same patent family</p>																
<p>Date of the actual completion of the international search</p> <p>10 September 2008 (10.09.2008)</p>		<p>Date of mailing of the international search report</p> <p align="center">18 SEP 2008</p>															
<p>Name and mailing address of the ISA/US</p> <p>Mail Stop PCT, Attn: ISA/US, Commissioner for Patents P.O. Box 1450, Alexandria, Virginia 22313-1450 Facsimile No. 571-273-3201</p>		<p>Authorized officer:</p> <p align="center">Lee W. Young</p> <p><small>PCT Helpdesk: 571-272-4300 PCT OSP: 571-272-7774</small></p>															