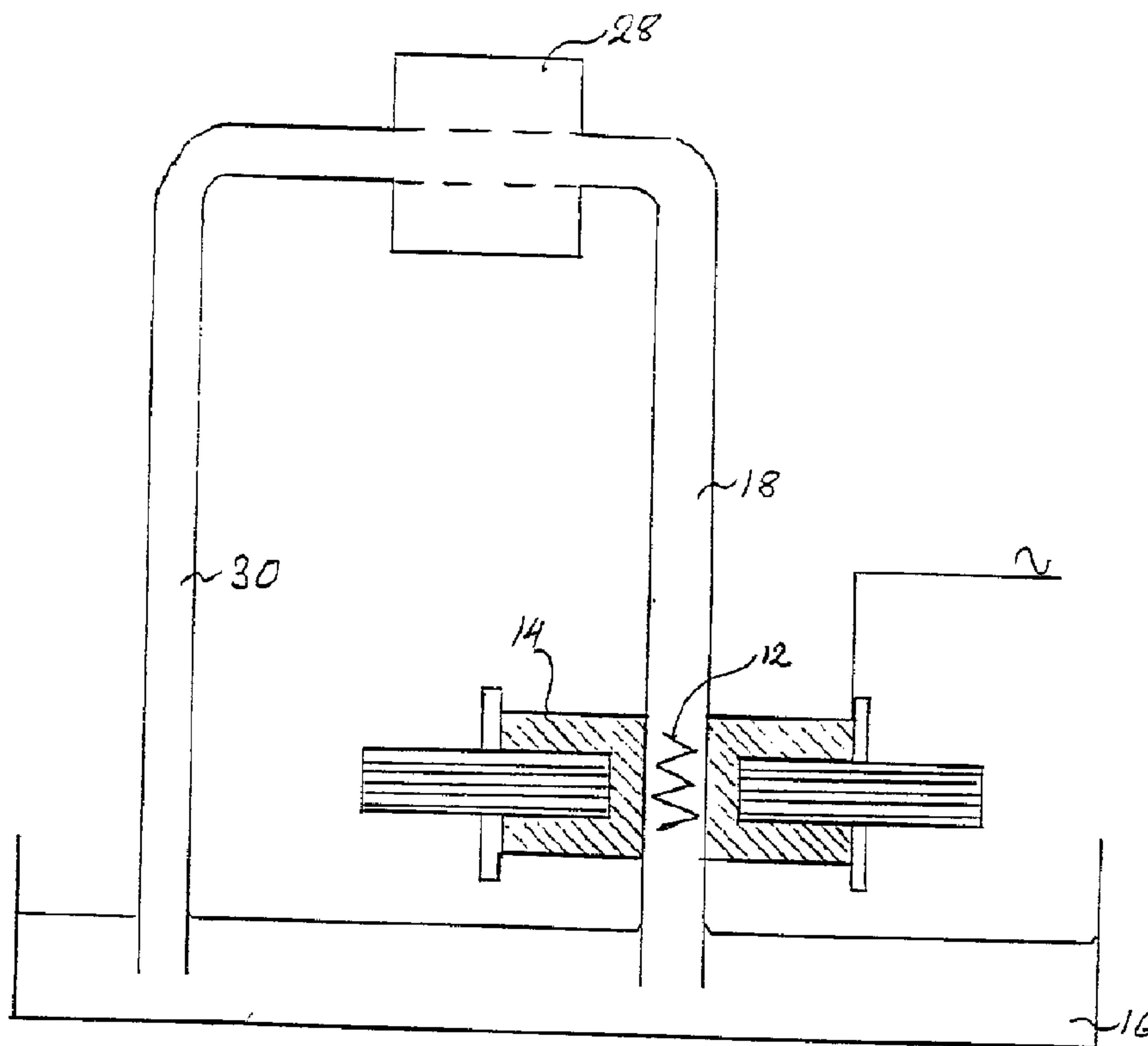




(86) Date de dépôt PCT/PCT Filing Date: 1995/05/10  
 (87) Date publication PCT/PCT Publication Date: 1995/11/23  
 (45) Date de délivrance/Issue Date: 2005/04/19  
 (85) Entrée phase nationale/National Entry: 1996/11/08  
 (86) N° demande PCT/PCT Application No.: GB 1995/001056  
 (87) N° publication PCT/PCT Publication No.: 1995/031726  
 (30) Priorités/Priorities: 1994/05/11 (9409348.1) GB;  
 1994/11/25 (9423867.2) GB

(51) Cl.Int.<sup>6</sup>/Int.Cl.<sup>6</sup> G01N 33/543, C12Q 1/68, C12Q 1/24,  
 G01N 33/569  
 (72) Inventeur/Inventor:  
 PARTON, ADRIAN, GB  
 (73) Propriétaire/Owner:  
 GENERA TECHNOLOGIES LIMITED, GB  
 (74) Agent: SIM & MCBURNEY

(54) Titre : PROCÉDE DE CAPTURE D'ESPECES A PARTIR DE LIQUIDES ET PROCEDURES DE DOSAGE  
 (54) Title: METHODS OF CAPTURING SPECIES FROM LIQUIDS AND ASSAY PROCEDURES



(57) **Abrégé/Abstract:**

A species such as a microorganism, e.g. Legionella, Giardia or Cryptosporidium, is captured by first attracting plastics coated magnetic beads or other magnetically attractable particles to a solid support such as stainless steel mesh, which particles have a selective affinity for the species, e.g. by virtue of an antibody coating, and contacting a sample containing the species with the particles on the solid support. The beads bearing the capture species may be released by reduction of the magnetic attraction of the support for the beads, e.g. by turning off an electromagnet used to magnetise the support.



INTERNATIONAL APPLICATION PUBLISHED UNDER THE PATENT COOPERATION TREATY (PCT)

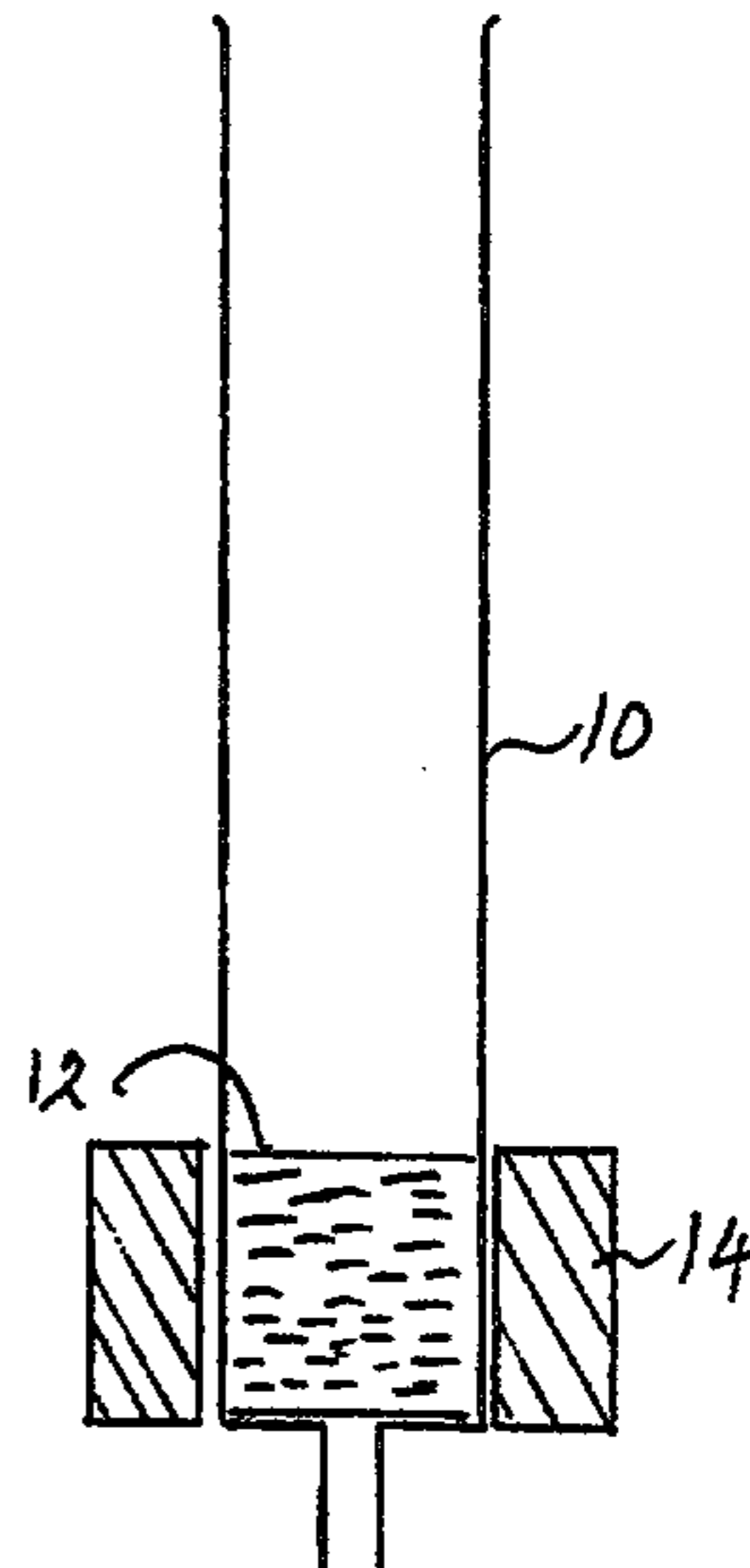
<p>(51) International Patent Classification <sup>6</sup> : G01N 33/543, 33/569, C12Q 1/68</p>	<p>A1</p>	<p>(11) International Publication Number: <b>WO 95/31726</b> (43) International Publication Date: 23 November 1995 (23.11.95)</p>
---	-----------	---

<p>(21) International Application Number: PCT/GB95/01056 (22) International Filing Date: 10 May 1995 (10.05.95)</p> <p>(30) Priority Data: 9409348.1 11 May 1994 (11.05.94) GB 9423867.2 25 November 1994 (25.11.94) GB</p> <p>(71) Applicant (for all designated States except US): GENERA TECHNOLOGIES LIMITED [GB/GB]; The Jeffreys Building, St. John's Innovation Park, Cowley Road, Cambridge CB4 4WS (GB).</p> <p>(72) Inventor; and (75) Inventor/Applicant (for US only): PARTON, Adrian [GB/GB]; 6 Swan Grove, Exning, Suffolk CB8 7HX (GB).</p> <p>(74) Agent: SMART, Peter, John; W.H. Beck, Greener &amp; Co., 7 Stone Buildings, Lincoln's Inn, London WC2A 3SZ (GB).</p>	<p>(81) Designated States: AU, CA, JP, KR, NZ, US, European patent (AT, BE, CH, DE, DK, ES, FR, GB, GR, IE, IT, LU, MC, NL, PT, SE).</p> <p>Published With international search report.</p> <p style="text-align: center; font-size: 2em;">2189958</p>
---	--

(54) Title: METHODS OF CAPTURING SPECIES FROM LIQUIDS AND ASSAY PROCEDURES

(57) Abstract

A species such as a microorganism, e.g. Legionella, Giardia or Cryptosporidium, is captured by first attracting plastics coated magnetic beads or other magnetically attractable particles to a solid support such as stainless steel mesh, which particles have a selective affinity for the species, e.g. by virtue of an antibody coating, and contacting a sample containing the species with the particles on the solid support. The beads bearing the capture species may be released by reduction of the magnetic attraction of the support for the beads, e.g. by turning off an electromagnet used to magnetise the support.



-1-

METHODS OF CAPTURING SPECIES FROM LIQUIDS  
AND ASSAY PROCEDURES

---

5           The present invention relates to methods of capturing species from liquids and to assay procedures involving said species.

          Whilst the present invention is of broad and general applicability, it has particular relevance to the problem of  
10 monitoring organisms in water and will be described with particular reference to that context.

          Current methods for assaying the content of organisms in water such as cryptosporidium and giardia are time consuming and labour intensive.

15           A major problem in such assay procedures is that the organisms may be present in very low numbers in substantial volumes of water and must first be concentrated into a sample of substantially reduced volume. Conventionally, this is done by passing large volumes of water through a  
20 cellulosic filter material which is then broken up and placed in a smaller volume of liquid in which it is agitated over a prolonged period with a view to releasing the captured organisms from the filter material. The proportions of organisms present in the liquid samples which  
25 are captured by this way and success-fully released from the filter material is relatively poor and the operation is prolonged taking typically about twentyfour hours to perform. The product of this procedure is a sample in which the organisms are still very dilute.

30           In WO-A-93/16383, an assay for cryptosporidium oocysts by an electrorotation assay techniques as described, which requires direct visualisation of the oocysts under a microscope. To run such an assay on water samples of the kind normally encountered requires further concentration of the  
35 organisms beyond the stage reached following the filtration procedure described above. In unrelated assay procedures, it is known that

-2-

magnetically attractable particles may be coated with selective reagents such as antibodies or oligonucleotides. Such coated magnetically attracted particles are used in assay procedures by mixing the particles in suspension with  
5 a species to be captured so as to form a complex in which the species is captured to the particles. The magnetic particles are then collected by magnetic attraction so as to concentrate and localise the captured species for further operations.

10 The present now provides a method of capturing a species from a liquid comprising attracting magnetically attractable particles to a solid support by magnetic forces, which particles have an affinity for said species, contacting said particles on said support with said liquid  
15 to capture said species on to said particles, and releasing said particles from said support by reduction of said magnetic forces.

Because the particles are held on the solid support during the time in which they are being contacted with the  
20 liquid containing the species to be captured, it is possible for the volume of liquid containing the species to be much greater than the volume occupied by the particles during this operation. Large volumes of the liquid may be washed through or over the solid support bearing the magnetically  
25 attracted particles, so that the particles may capture said species in sufficient quantity for further operations to be carried out, even if the species is present at great dilutions in the liquid. For instance, the volume of the liquid contacted with the particles may be greater than the volume  
30 occupied by the solid support by a factor of at least 5, preferably at least 10, still more preferably at least 50, and 100 or more.

The liquid may be passed repeatedly over the solid support, e.g. by continuous recirculation, so as to improve  
35 the capture of said species.

The particles may be assayed for the captured species whilst retained on the solid support. It will generally

however be more appropriate to release the particles with the captured species. This may be done simply by vigorous washing or even air blasting whilst maintaining the magnetic attraction but is preferably accomplished by reducing the  
5 magnetic attraction.

When the particles are released from the solid support, they may be collected in a much reduced volume of liquid, for instance a volume similar to that occupied by the solid support itself, or even less.

10 A very substantial concentration of the species to be captured may therefore be achieved.

We have found that the same result cannot be achieved by the alternative procedure of mixing the magnetically attractable particles with the sample to form complexes between the  
15 particles and the species to be captured and then passing the resulting dilute suspension of complexed particles through a zone of magnetic attraction to capture them. The process of magnetic attraction of the particles is too slow and too easily disrupted by liquid currents and the formation of the  
20 required complexes in the volume of a dilute sample would require an excessive concentration of magnetically attractable particles.

The solid support may be a superparamagnetic material or ferromagnetic material. "Superparamagnetism" is the magnetic  
25 behaviour exhibited by materials which respond to a magnetic field with an induced magnetic field without resultant permanent magnetisation.

There are many examples of materials which exhibit superparamagnetism or ferromagnetism which may be used in the  
30 present invention. Particularly preferred materials are stainless steel, aluminium, chromium or platinum. Metallised foams based on such metals may be used, e.g. aluminium coated polyester/polyether foams which are commercially available.

However, materials in which an induced magnetic field  
35 results in a permanent residual field may also be used as further described below.

-4-

A solid support material may be magnetised to attract the magnetically attractable particles by placing the solid support within a suitable container and applying an external magnetic field from a permanent magnet or an electromagnet.

5 The solid support, if of superparamagnetic material, may be demagnetised simply by turning off the electromagnet or physically removing the permanent magnet used to reduce the field. The magnetic field applied may be a rapidly reversing magnetic field obtained by passing an alternating  
10 current through a coil.

Preferably, to prevent heat generated in the coil of an electromagnet used for this purpose from reaching the solid support, the solid support may be positioned in a pole gap of a magnet core about which core a coil winding is  
15 positioned remote from the solid support.

A solid support material which is not superparamagnetic may be demagnetised by known methods such as gradual reduction and periodic reversal of an externally applied field.

20 Physically, the solid support may take many forms e.g. mesh, wire, a wool, beads or one or more plates. The material preferably has an open structure to assist easy removal of the particles therefrom and easy passage on the liquid containing the species to be captured. Structures  
25 providing a sub-stantial surface area within a small volume are preferred.

However, the solid support may simply be the walls of a container such as a glass tube to which the particles are attracted by an external magnetic field.

30 The most preferred form of solid support is a stainless steel mesh, e.g. of 40 x 40 wires per inch (16 x 16 wires per cm), used as a flat strip of single or double thickness.

Many forms of magnetically attractable particle are now known and easily commercially available. Examples include  
35 iron oxide particles as described in US-A-4,554,088 and US-A-3,917,538, nickel oxide particles as described in Biotec. and Bioengr. XIX: 101-124 (1977), Agarose-polyaldehyde beads containing magnetic particles as in US-A-4,732,811, DYNAL™

-5-

beads (commercially available magnetic polystyrene coated beads); Magnogel™ 44 (magnetic polyacrylamide-agarose beads), ENZACRY™ (poly-M-diaminobenzene/iron oxide) as described in Clin. Chim. Acta. 69:387-396 (1976). Cellulose  
5 containing ferric oxide particles are described in Clin. Chem. 26:1281-1284 (1980) and albumin magnetic microspheres as described in J. IMMUNOL. Methods 53:109-122 (1982). Magnetic porous glass particles are described in WO-A-93/10162.

10 The particles may also be of superparamagnetic material.

The particles may preferably have a specific binding affinity for the species to be captured and for this purpose they may bear antibody molecules, substances having an  
15 epitope capable of reacting in a specific manner with an antibody such as an antigenic protein or oligosaccharide, biotin, avidin or streptavidin, or like materials. They may bear a nucleic acid or nucleic acid analogue such as DNA, RNA or a synthetic analogue thereof. Also, the particles  
20 may have a chemical rather than a biochemical affinity for the species to be captured. For instance, they may have chelating activity for capturing ions from the liquid.

They may have affinity for a water borne organism such as Legionella, cryptosporidium or giardia. However, the  
25 invention is of general applicability and may be used for capturing a wide range of micro-organisms from a wide range of sample sources including food products and body fluid samples such as blood, serum, saliva, urine, cerebrospinal fluid and so forth.

30 The invention includes assay methods comprising capturing a species to be assayed or to be used in an assay by a method of capture as described above, and conducting an assay of or using said captured species. Optionally, the captured species may be removed from the particles prior to  
35 or during said assay procedure.

The assay procedures involved may take a wide variety of forms including chemical assay procedures, enzyme assay procedures such as RIA or ELISA or nucleic acid procedures such as hybridisation assays.

5 Preferably however, the assay is an electro-rotation assay. WO-A-93/16383 describes apparatus in which electro-rotation assays can be conducted. As described there, particles such as plastics microbeads or the cells of organisms like giardia and cryptosporidium can be  
10 made to rotate by the application of a rotating electrical field. The field conditions under which rotation is achieved, the direction of rotation and the speed of rotation, all depend upon the dielectric properties of the particle. Microorganism cells such as  
15 cryptosporidium oocysts can be concentrated by a capture method as described above and can then be detected by subjecting them to electro-rotation conditions and observing their electro-rotation. The magnetically attractable particles used in the concentration of the  
20 oocysts need not be removed prior to electro-rotation and indeed are an aid in observing the rotation, particularly where automated image analysis systems are used to perform the observation. The particle or particles bound to the oocysts provide a useful visual marker which can  
25 be seen rotating.

According to an aspect of the present invention, there is provided a method of capturing a species from a liquid, comprising attracting magnetically attractable particles to a solid support by magnetic forces, which  
30 particles have an affinity for said species, and contacting said particles on said support with said liquid to capture said species onto said particles on

- 6a -

said solid support.

The invention includes apparatus for use in capturing a species from a liquid comprising a reservoir for said liquid, a source of magnetic field, a pump for liquid circulation and means defining a flow path for liquid from said reservoir via said pump and back to said reservoir, wherein said source of magnetic field is outside said flow path, and said flow path contains a solid support magnetisable by a magnetic field applied thereto by said source of magnetic field.

The invention further includes apparatus for use in capturing a species from a liquid, comprising a conduit for flow therethrough of said liquid, a solid support in said flow path in which a magnetic field can be induced, a source of magnetic field out-side said conduit for inducing a magnetic

- 7 -

field in said solid support, and magnetically attractable particles on said solid support which have an affinity for a said species.

The invention will be further described and illustrated with reference to the accompanying drawing in which:

Figure 1 shows schematically apparatus for use in the invention.

Figure 2 shows a second form of apparatus for use in the invention;  
and

Figure 3 is a plan view of the electromagnet in the apparatus shown in Figure 2.

As shown in Figure 1, apparatus for use in the invention may comprise a container such as a syringe body 10 containing a support matrix such as expanded aluminium 12 surrounded by a helically wound copper wire coil 14 which may for instance comprise 4000 turns of enamelled 40 SWG (standard wire gauge) wire to which is connected a suitable supply of alternating electric current e.g. a 50 volt 50 Hz supply, via suitable switch means. Generally, frequencies of from 1 to 500 Hz may be employed at voltages of from 1 to 500 volts.

In a typical procedure according to the invention, antibody coated magnetic beads in a suitable buffer (e.g. pbs) are exposed to the solid support and an external magnetic field is applied to induce a corresponding field in the solid support. Over a period of minutes, the particles are drawn on to the solid support. The attached particles may be washed by slowly running wash liquid into the top of the syringe body 10 whilst letting liquid out at a corresponding rate so as to avoid the level of liquid falling to expose the solid support. If this were to happen, there would be a likelihood of surface tension forces pulling the beads off.

-7a-

5 A sample containing organisms expressing surface anti-  
bodies corresponding to the antibodies in the beads and  
having a volume which may be of the order of 100 times the  
volume of the part of the syringe body 10 occupied by the  
solid support 12 may then be slowly run through, optionally  
followed by

further wash liquid, until the solid support is barely covered.

The external magnetic field is then removed and the beads are permitted to detach from the solid support, optionally with agitation being used to disperse them. The beads may then be run out of the syringe for analysis, bearing any organisms which have bound thereto. An advantage of this procedure is that there is no need to use any chemical treatment to release the organisms from the solid support, which could affect the viability or integrity of the organisms. Chemical methods are, in contrast, normally needed in most immuno-affinity capture and release methods.

An alternative form of apparatus shown in Figure 2 comprises a reservoir 16 for liquid. A tube 18 dipping into the reservoir 16 contains the solid support 12 and passes through a pole gap 20 in a magnet core 22 which is C-shaped in plan view having a long arm 24 remote from the pole gap 20 around which is positioned a coil 14 wound on a coil former bobbin 26 and connected to an electrical supply as described in connection with Figure 1. The tube 18 is connected via a peristaltic pump 28 to a further tube 30 dipping back into the reservoir 16.

In use, liquid to be treated in the system may be recirculated repeatedly using the peristaltic pump 28 to flow over the solid support valve as described in more detail in Example 2 below.

The invention will also be further illustrated by the following examples.

### 30 Example 1

Super-paramagnetic polystyrene beads containing magnetite (average diameter 0.8  $\mu\text{m}$ , 67% magnetic content - Sigma Chemical Co.) were coated overnight at room temperature with a mouse monoclonal antibody raised against cryptosporidium. The resultant antibody coated beads were placed into an

apparatus similar to that shown in Figure 1 and described in the above text.

5 An A/C field (50 Hz, 50 volts) was applied to the coil to generate a magnetic field, and the beads were incubated with the aluminium solid phase for 6 minutes. Following this incubation, excess unbound beads were washed away with PBS (phosphate buffered saline).

10 A 10 ml sample containing cryptosporidium oocysts (obtained from Moredun Institute Animal Health) was added to the tube and incubated for 10 minutes (in the presence of the applied magnetic field).

After incubation, the solid phase was washed/rinsed with 10 ml of PBS whilst the magnetic field was present.

15 Following washing, the magnetic field was removed, i.e. field generator was switched off; and the magnetic bead/crypto were flushed out in 1 ml of PBS.

20 The presence of cryptosporidium/bead complexes was determined by immuno-fluorescence staining techniques using an anti-cryptosporidium fluorescent FITC conjugate (Bradsure Biochemicals Ltd.). Cryptosporidium complexes were detectable using the procedure clearly indicating that specific capture and the subsequent elution (from the solid phase) had been achieved.

## 25 Example 2

Using the apparatus described above with reference to Figures 2 and 3, 50 ml PBT (phosphate buffered saline + 0.05% Tween 20) was circulated over the solid support at a flow rate of approximately 100 ml/30 sec. The solid support was a thin strip of stainless steel formed into the zig-zag configuration illustrated in Figure 2. A suspension of antibody coated beads (200  $\mu$ l) was added to the reservoir and the electrical power was turned on at 50 volts/50 Hz. Circulation was continued for 45 minutes.

30

35

Most of the PBT was drained off from the reservoir and 100 ml of fresh PBT was added as a wash.

A spike of cryptosporidium oocysts in a volume of 50 ml PBT was added and allowed to circulate for 45 minutes. The bulk of this was then drained off from the reservoir and 100 ml of fresh PBT was added as a further wash. This wash liquid was drained off and combined with the remainder of the 50 ml spike liquid for later determination of the cryptosporidium remaining in the circulating liquid.

The solid support was further washed with 400 ml PBT. Circulation was then halted. The power was turned off from the magnet and the cryptosporidium was eluted from the solid phase using 5 ml PBS. This eluate was collected for determination of the numbers of cryptosporidium oocysts captured.

To determine the number of oocysts present, the liquid was in each case pushed through a membrane filter which was then stained and the numbers of oocysts determined by immunofluorescence. The results are as shown in the table below:-

Run	Oocysts not Captured	Oocysts Captured and Recovered	Percent Captured and Recovered
1	272	352	56
2	218	316	59
3	374	559	60

-11-

Example 3**Determination of Capture Efficiency of Cryptosporidium oocysts.**

5           The apparatus described above with reference to Figures  
2 and 3 was modified by substituting as the solid support a  
1 cm x 3 cm strip of stainless steel mesh (40 x 40 wires per  
inch (16 c 16/cm)) folded longitudinally in half to make a  
double thickness strip 0.5 cm wide. PBT (Phosphate Buffered  
10 Saline + 0.05% Tween™ 20) (25 ml) was circulated over the  
solid support at a flow rate of approximately 100 ml/30  
seconds. A suspension of antibody coated beads specific to  
Cryptosporidium (500 µl) was added to the reservoir and the  
electrical power was turned on at 60 volts/50 Hz.  
15 Circulation was continued for 60 minutes and current  
adjusted to 75 mA. Following this, excess beads were run to  
waste together with a 20 ml wash of PBT. The beads were as  
described in Example 1.

          A spike of Cryptosporidium oocysts of known number in  
20 25 ml was added to the reservoir and allowed to circulate  
for 60 minutes. At the end of the period, the solid support  
was washed by running through 500 ml of PBT to waste. The  
flow was then halted and the Cryptosporidium bead complexes  
eluted from the solid phase using 20 ml PBS. This eluate  
25 was collected for determination of numbers of  
Cryptosporidium oocysts captured. To determine the number  
of oocysts present, the liquid in each case was pushed  
through a membrane filter wish was then stained and the  
numbers of oocysts determined by immunofluorescence. The  
30 results are shown in the table below:-

Run	Oocysts	Oocysts Captured and Recovered	Percent Captured and Recovered
1	515	163	31.6%
2	390	162	41.5%
3	502	232	46.2%

#### Example 4

##### Determination of Capture Efficiency of Giardia oocysts.

10 Using the apparatus as used in Example 3, 25 ml PBT (Phosphate Buffered Saline + 0.05% Tween 20) was circulated over the solid support at a flow rate of approximately 100 ml/30 seconds. A suspension of antibody coated beads specific to Giardia (500  $\mu$ l) was added to the reservoir and the  
15 electrical power was turned on at 60 volts/50 Hz. Circulation was continued for 60 minutes and current adjusted to 75 mA. Following this, excess beads were run to waste together with a 20 ml wash to PBT. The beads, prior to coating, were as described in Example 1.

20 A spike of Giardia cysts of known number in 25 ml was added to the reservoir and allowed to circulate for 60 minutes. At the end of this period the solid support was washed by running through 500 ml of PBT to waste. The flow as then halted and the Giardia bead complexes eluted from the  
25 solid phase using 20 ml PBS. This eluate was collected for determination of numbers of oocysts captured. To determine the number of cysts present, the liquid in each case was pushed through a membrane filter which was then stained and the numbers of Giardia determined by immunofluorescence. The  
30 results are shown in the table below:-

Run	Giardia Spike	Giardia Captured and Recovered	Percent Captured and Recovered
1	584	405	69.3
2	584	221	37.8
3	423	246	58.2

5

Example 5

Determination of Capture Efficiency of Cryptosporidium and Giardia.

10 Using the apparatus described in Example 3 25 ml PBT (Phosphate Buffered Saline + 0.05% Tween 20) was circulated over the solid support at a flow rate of approximately 100 ml/30 seconds. A suspension of antibody coated beads specific for Cryptosporidium and Giardia (500  $\mu$ l) was added to the  
15 reservoir and the electrical power was turned on at 60 volts/50 Hz. Circulation was continued for 60 minutes and current adjusted to 75 mA. Following this, excess beads were run to waste together with a 20 ml wash of PBT. Prior to antibody coating the beads were as described in Example 1.

20 A spike of combined Cryptosporidium and Giardia of known number in 25 ml PBT was added to the reservoir and allowed to circulate for 60 minutes. At the end of this period, the solid support was washed by running through 500 ml of PBT to waste. The flow as then halted and the cryptosporidium and  
25 Giardia complexes eluted from the solid phase using 20 ml PBS. This eluate was collected for determination of numbers of oocysts/cysts captured. To determine the number of cysts present, the liquid in each case was pushed through a membrane filter which was then stained and the numbers of organisms  
30 determined by immunofluorescence. The results are shown in the table below:-

Run	Spike		Organisms Captured and Recovered		Present Captured and Recovered	
	C	G	C	G	C	G
1	552	680	260	502	471	73.8
2	552	680	187	269	33.9	39.6
3	482	453	82	227	17.0	50.1

Example 6**Capture of Cryptosporidium oocysts in river sediment.**

10 Using the apparatus described above in Example 3 25 ml PBT (Phosphate Buffered Saline + 0.05% Tween 20) was circulated over the solid support at a flow rate of approximately 100 ml/30 seconds. A suspension of antibody coated beads specific to Cryptosporidium (500  $\mu$ l) was added

15 to the reservoir and the electrical power was turned on at 60 volts/50 Hz. Circulation was continued for 60 minutes and current adjusted to 75 mA. Following this, excess beads were run to waste together with a 20 ml wash of PBT. The beads were as used in previous examples.

20 A spike of Cryptosporidium oocysts of known number in 25 ml PBT and river sediment (~100 NTU) was added to the reservoir and allowed to circulate for 60 minutes. At the end of this period, the solid support was washed by running through 500 ml of PBT to waste. The flow as then halted and

25 the Cryptosporidium eluted from the solid phase using 20 ml PBS. This eluate was collected for determination of numbers of Cryptosporidium oocysts captured. To determine the number of oocysts present, the liquid in each case was pushed through a membrane filter which was then stained and the numbers of

30 oocysts determined by immunofluorescence. The results are shown in the table below:-

Run	Oocysts	Oocysts Captured and Recovered	Percent Captured and Recovered
1	515	111	21.5%
2	515	104	29.2%
3	492	115	23.3%

5

Example 7**Capture and Concentration of Legionella pneumophila.**

Using the apparatus as described in Example 3 25 ml PBT (Phosphate Buffered Saline + 0.05% Tween 20) was circulated over the solid support at a flow rate of approximately 100 ml/30 seconds. A suspension of antibody coated beads specific to Legionella pneumophila (500  $\mu$ l) was added to the reservoir and the electrical power was turned on at 60 volts/50 Hz. Circulation was continued for 60 minutes and current adjusted to 75 mA. Following this, excess beads were run to waste together with a 20 ml wash of PBT. The beads were as used previously.

A spike of Legionella pneumophila of known number in 25 ml was added to the reservoir and allowed to circulate for 60 minutes. At the end of this period, the solid support was washed by running through 500 ml of PBT to waste. The flow was then halted and the Legionella bead complexes eluted from the solid phase using 20 mls PBS. This eluate was collected for determination of numbers of bacteria captured. To determine the number of cells present, the liquid in each case was pushed through a membrane filter which was then stained and the numbers of Legionella determined by immunofluorescence. The results are shown in the table below:-

30

Run	Legionella Spike	Legionella Captured and Recovered	Percent Captured and Recovered
1	1044	564	54%
2	11854	4444	37.5%
3	5611	3121	56.6%

5

Many modifications and variations of the invention as illustrated and described above are possible within the broad scope of the invention. In particular, the invention may be applied to a wide range of analyte species. It will be of particular benefit where the analyte species is dilute and/or present in association with large amounts of particulate material, e.g. in the food industry for detecting organisms in foodstuffs such as cheese.

10

The embodiments of the invention in which an exclusive property or privilege is claimed are defined as follows:

1. A method of capturing a species from a liquid, comprising attracting magnetically attractable particles to a solid support by magnetic forces, which particles have an affinity for said species, and contacting said particles on said support with said liquid to capture said species onto said particles on said solid support.
2. A method as claimed in Claim 1, wherein said solid support occupies a portion of a conduit for said liquid through which said liquid is circulated, contacting said solid support and wherein the total volume of said liquid is greater than the volume of said portion of the conduit occupied by the solid support by a factor of at least 5.
3. A method as claimed in Claim 2, wherein said factor is at least 50.
4. A method as claimed in any one of Claims 1 to 3, wherein said liquid is recirculated over said particles on said support to pass thereover repeatedly to capture said species on to said particles on said solid support.
5. A method as claimed in any one of Claims 1 to 4, wherein said solid support is of superparamagnetic or ferromagnetic material and said magnetic forces are produced in said material by the application of a magnetic field.
6. A method as claimed in any one of Claims 1 to 5, wherein said magnetic forces are produced by an electromagnet and said magnetic forces are reduced by deactivation of said electromagnet.
7. A method as claimed in Claim 6, wherein said electromagnet comprises a magnet core having a pole gap receiving said solid support and an electromagnet coil winding about said core at a location remote from said pole gap.

8. A method as claimed in any one of Claims 1 to 7, wherein said particles are ferromagnetic or superpara magnetic particles.
9. A method as claimed in any one of Claims 1 to 8, wherein said particles bear an antibody, a substance having an epitope reactive in a specific manner with an antibody, a nucleic acid or nucleic acid analogue sequence, biotin, avidin or streptavidin.
10. A method as claimed in any one of Claims 1 to 9, wherein said species to be captured is a water borne organism.
11. A method as claimed in any one of Claims 1 to 10, further comprising releasing said particles from said support by reduction of said, magnetic forces.
12. An assay method comprising capturing a species to be assayed or used in an assay, by a method as claimed in any one of Claims 1 to 11, and conducting an assay of said captured species or conducting an assay using said captured species.
13. A method as claimed in Claim 12, wherein said assay is an electro-rotation assay.
14. Apparatus for use in capturing a species from a liquid comprising a reservoir for said liquid, a source of magnetic field, a pump for liquid circulation and means defining a flow path for liquid from said reservoir via said pump and back to said reservoir, wherein said source of magnetic field is outside said flow path and said flow path contains a solid support magnetisable by a magnetic field applied thereto by said source of magnetic field.

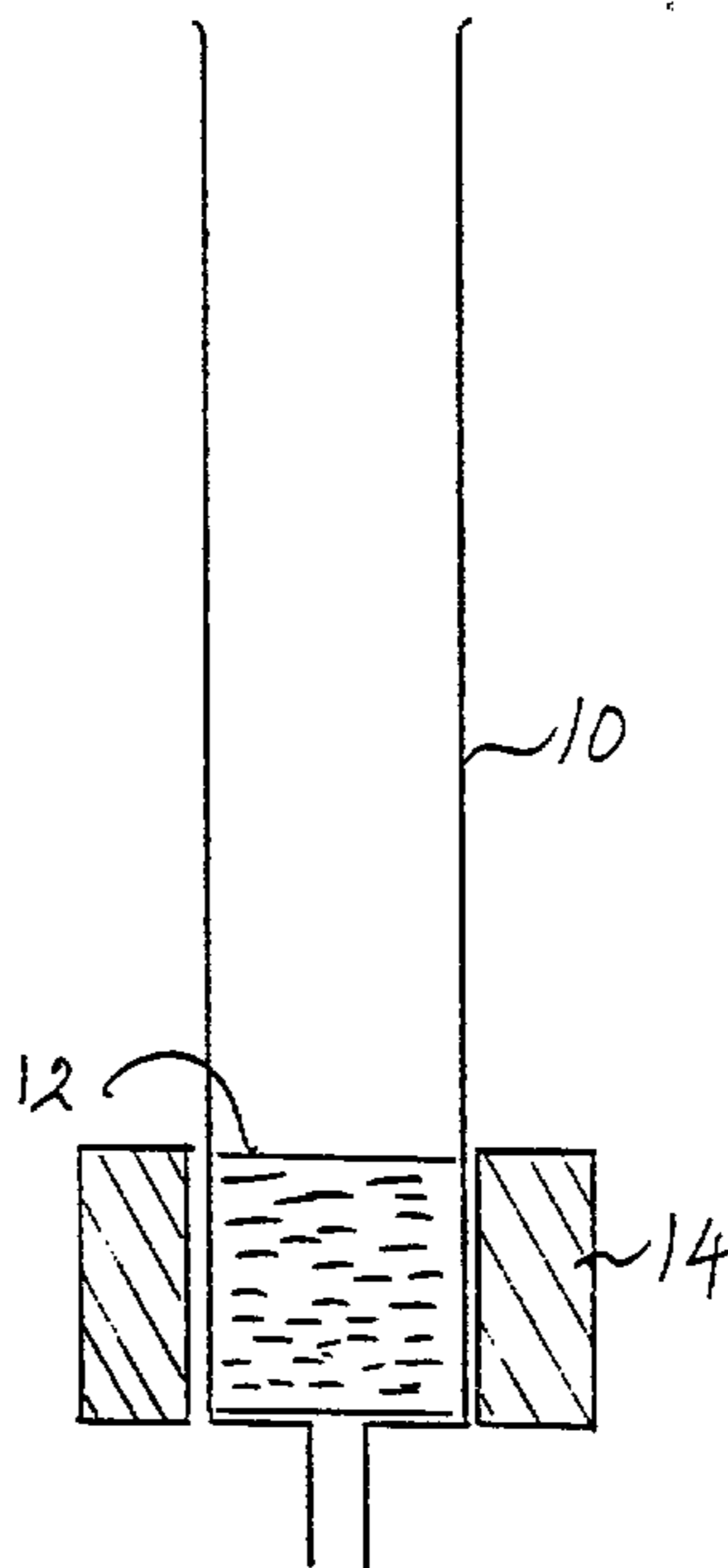


FIG 1

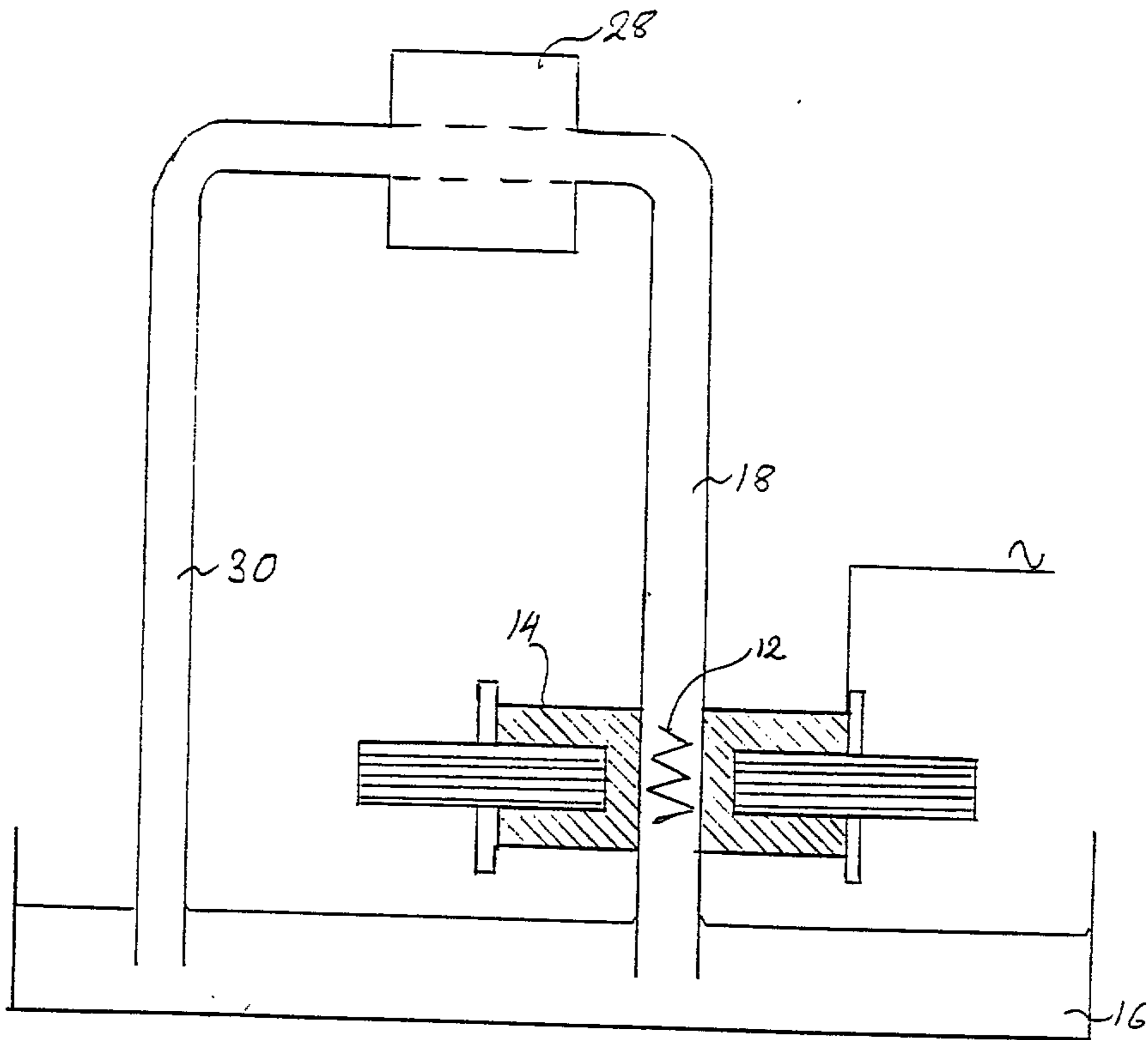


FIG 2

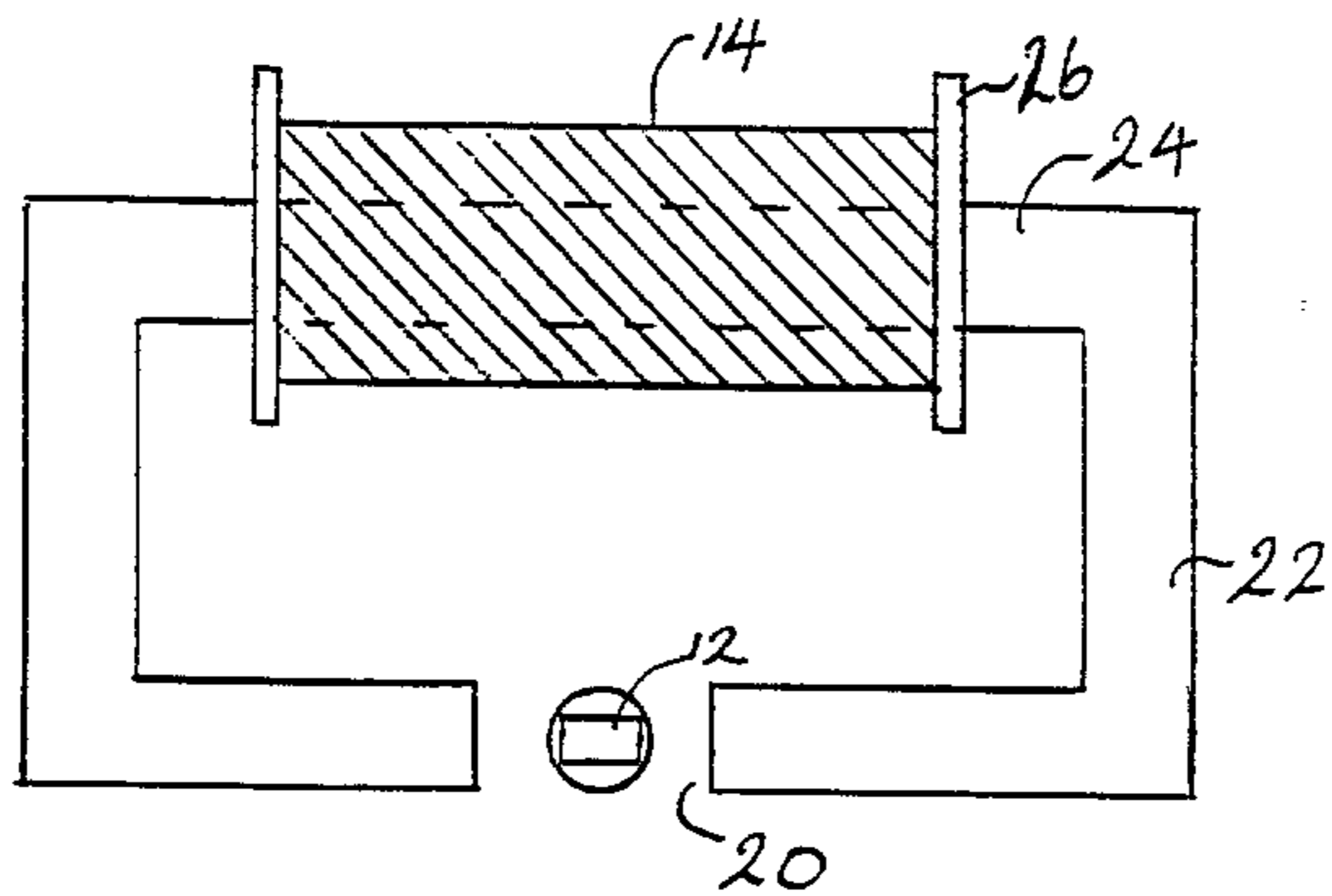


FIG 3

