

(19) World Intellectual Property Organization  
International Bureau



(43) International Publication Date  
1 November 2007 (01.11.2007)

PCT

(10) International Publication Number  
WO 2007/123902 A3

(51) International Patent Classification:

B32B 9/00 (2006.01) B32B 15/04 (2006.01)  
B32B 33/00 (2006.01) B42D 15/10 (2006.01)  
B32B 7/12 (2006.01) B42D 15/00 (2006.01)

(21) International Application Number:

PCT/US2007/009366

(22) International Filing Date: 18 April 2007 (18.04.2007)

(25) Filing Language: English

(26) Publication Language: English

(30) Priority Data:

60/793,585 20 April 2006 (20.04.2006) US

(71) Applicant (for all designated States except US): **DUN-MORE CORPORATION** [US/US]; 145 Wharton Road, Bristol, Pennsylvania 19007 (US).

(72) Inventors; and

(75) Inventors/Applicants (for US only): **KOBREN, Robin** [US/US]; 294 Old Furnance Road, Riegelsville, Pennsylvania 18077 (US). **SHANLEY, Gerard** [US/US]; 14 Country Club Drive, Ringoes, New Jersey 08551 (US).

(74) Agent: **CHIONCHIO, John A.**; Synnestvedt & Lechner LLP, 1101 Market Street, Suite 2600, Philadelphia, Pennsylvania 19107-2950 (US).

(81) Designated States (unless otherwise indicated, for every kind of national protection available): AE, AG, AL, AM, AT, AU, AZ, BA, BB, BG, BH, BR, BW, BY, BZ, CA, CH, CN, CO, CR, CU, CZ, DE, DK, DM, DZ, EC, EE, EG, ES, FI, GB, GD, GE, GH, GM, GT, HN, HR, HU, ID, IL, IN, IS, JP, KE, KG, KM, KN, KP, KR, KZ, LA, LC, LK, LR, LS, LT, LU, LY, MA, MD, MG, MK, MN, MW, MX, MY, MZ, NA, NG, NI, NO, NZ, OM, PG, PH, PL, PT, RO, RS, RU, SC, SD, SE, SG, SK, SL, SM, SV, SY, TJ, TM, TN, TR, TT, TZ, UA, UG, US, UZ, VC, VN, ZA, ZM, ZW.

(84) Designated States (unless otherwise indicated, for every kind of regional protection available): ARIPO (BW, GH, GM, KE, LS, MW, MZ, NA, SD, SL, SZ, TZ, UG, ZM, ZW), Eurasian (AM, AZ, BY, KG, KZ, MD, RU, TJ, TM), European (AT, BE, BG, CH, CY, CZ, DE, DK, EE, ES, FI, FR, GB, GR, HU, IE, IS, IT, LT, LU, LV, MC, MT, NL, PL, PT, RO, SE, SI, SK, TR), OAPI (BF, BJ, CF, CG, CI, CM, GA, GN, GQ, GW, ML, MR, NE, SN, TD, TG).

Declaration under Rule 4.17:

— of inventorship (Rule 4.17(iv))

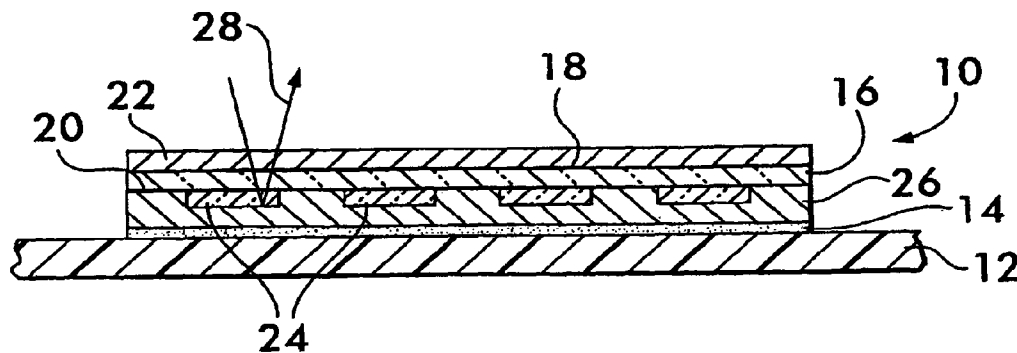
Published:

— with international search report  
— before the expiration of the time limit for amending the claims and to be republished in the event of receipt of amendments

(88) Date of publication of the international search report:

31 December 2008

(54) Title: TAMPER EVIDENT SECURITY FILM



(57) Abstract: A security film (10) adapted to display a message indicative of tampering is disclosed. A light transmitting sheet (16) has a first layer on one surface (22), a release layer on a portion of the opposite surface (24), and a second layer covering the release layer and another portion of the opposite surface (26). The first layer is a metal and the second layer is a metal or a non-metal. An adhesive layer (14) on the second surface adheres the film to a substrate (12). Removal of the sheet from the substrate causes the sheet to separate from the second layer under the release layer making a release layer pattern visible on both the sheet and substrate as reverse images. A method disclosed includes metalizing a light transmitting sheet with a metal layer on one side and a release layer and a metal or a non-metal layer on the opposite side.

WO 2007/123902 A3

# INTERNATIONAL SEARCH REPORT

International application No.

PCT/US07/09366

**A. CLASSIFICATION OF SUBJECT MATTER**

IPC: **B32B 9/00( 2006.01),33/00( 2006.01),7/12( 2006.01),15/04( 2006.01);B42D 15/10( 2006.01),15/00( 2006.01)**

USPC: 428/40.1,40.9,41.2,41.6,42.1,343,344,915,916;283/72,81,94

According to International Patent Classification (IPC) or to both national classification and IPC

**B. FIELDS SEARCHED**

Minimum documentation searched (classification system followed by classification symbols)  
U.S. : 428/ 40.1, 40.9, 41.2, 41.6, 42.1, 343, 344, 915, 916; 283/72, 81, 94

Documentation searched other than minimum documentation to the extent that such documents are included in the fields searched

Electronic data base consulted during the international search (name of data base and, where practicable, search terms used)

**C. DOCUMENTS CONSIDERED TO BE RELEVANT**

Category *	Citation of document, with indication, where appropriate, of the relevant passages	Relevant to claim No.
A	US 4,837,061 A (SMITS et al.) 06 June 1989 (06.06.1989), entire document.	
A	USPN 5,015,318 A (SMITS et al) 14 May 1991 (14.05.1991), entire document.	
A	US 5,149,386 A (SMITS et al) 22 September 1992 (19.09.1992), entire document.	

Further documents are listed in the continuation of Box C.

See patent family annex.

Special categories of cited documents:	Symbol
"A" document defining the general state of the art which is not considered to be of particular relevance	"T" later document published after the international filing date or priority date and not in conflict with the application but cited to understand the principle or theory underlying the invention
"E" earlier application or patent published on or after the international filing date	"X" document of particular relevance; the claimed invention cannot be considered novel or cannot be considered to involve an inventive step when the document is taken alone
"L" document which may throw doubts on priority claim(s) or which is cited to establish the publication date of another citation or other special reason (as specified)	"Y" document of particular relevance; the claimed invention cannot be considered to involve an inventive step when the document is combined with one or more other such documents, such combination being obvious to a person skilled in the art
"O" document referring to an oral disclosure, use, exhibition or other means	"&" document member of the same patent family
"P" document published prior to the international filing date but later than the priority date claimed	

Date of the actual completion of the international search  
29 July 2008 (29.07.2008)

Date of mailing of the international search report  
**23 OCT 2008**

Name and mailing address of the ISA/US  
Mail Stop PCT, Attn: ISA/US  
Commissioner for Patents  
P.O. Box 1450  
Alexandria, Virginia 22313-1450  
Facsimile No. (571) 273-3201

Authorized officer

Rena L. Dye

Telephone No. (571) 272-1700

**Jean Proctor**  
**Paralegal Specialist**