

(12) INTERNATIONAL APPLICATION PUBLISHED UNDER THE PATENT COOPERATION TREATY (PCT)

(19) World Intellectual Property Organization  
International Bureau



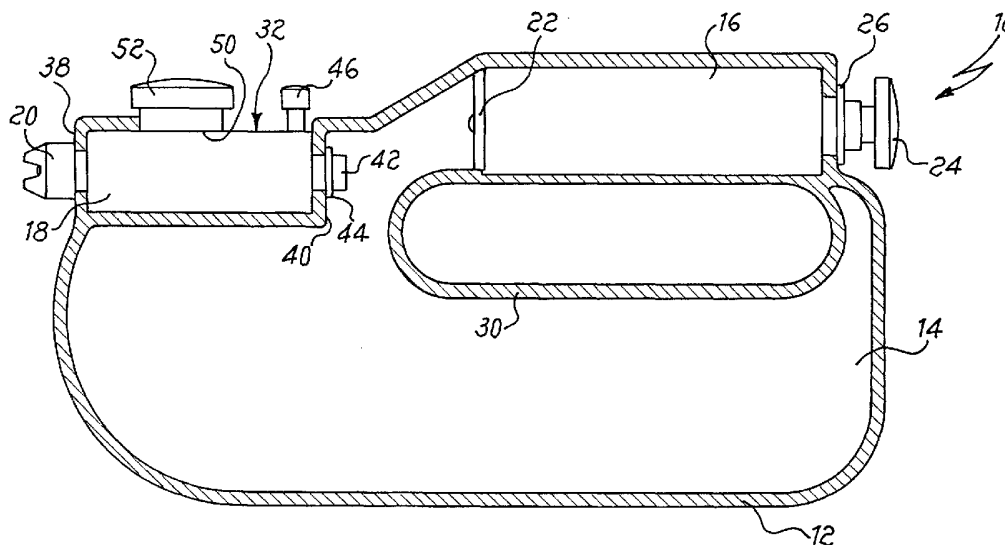
(43) International Publication Date  
20 February 2003 (20.02.2003)

PCT

(10) International Publication Number  
**WO 03/013735 A3**

- (51) International Patent Classification<sup>7</sup>: **B05B 9/08**
- (21) International Application Number: PCT/IB02/04692
- (22) International Filing Date: 18 June 2002 (18.06.2002)
- (25) Filing Language: Italian
- (26) Publication Language: English
- (30) Priority Data:  
01115167.7 22 June 2001 (22.06.2001) EP  
90925 3 June 2002 (03.06.2002) LU
- (71) Applicant (for all designated States except US): **ELECTRONIC WORLD S.A. SOCIETE ANONYME** [LU/LU]; 5, Bd. de la Foire, L-1000 Luxembourg (LU).
- (72) Inventor; and
- (75) Inventor/Applicant (for US only): **POZZI, Renato** [IT/IT]; 5, O. Visconti, I-20033 Desio (IT).
- (74) Agent: **LECCE, Giovanni**; Ufficio Brevetti Calciati S.r.l., Via Ruffini, 9, I-20123 Milano (IT).
- (81) Designated States (national): AE, AG, AL, AM, AT, AU, AZ, BA, BB, BG, BR, BY, BZ, CA, CH, CN, CO, CR, CU, CZ, DE, DK, DM, DZ, EC, EE, ES, FI, GB, GD, GE, GH, GM, HR, HU, ID, IL, IN, IS, JP, KE, KG, KP, KR, KZ, LC, LK, LR, LS, LT, LU, LV, MA, MD, MG, MK, MN, MW, MX, MZ, NO, NZ, OM, PL, PT, RO, RU, SD, SE, SG, SI, SK, SL, TJ, TM, TR, TT, TZ, UA, UG, US, UZ, VN, YU, ZA, ZW.
- (84) Designated States (regional): ARIPO patent (GH, GM, KE, LS, MW, MZ, SD, SL, SZ, TZ, UG, ZM, ZW), Eurasian patent (AM, AZ, BY, KG, KZ, MD, RU, TJ, TM), European patent (AT, BE, CH, CY, DE, DK, ES, FI, FR, GB, GR, IE, IT, LU, MC, NL, PT, SE, TR), OAPI patent (BF, BJ, CF, CG, CI, CM, GA, GN, GQ, GW, ML, MR, NE, SN, TD, TG).
- Published:  
— with international search report
- (88) Date of publication of the international search report: 22 May 2003
- For two-letter codes and other abbreviations, refer to the "Guidance Notes on Codes and Abbreviations" appearing at the beginning of each regular issue of the PCT Gazette.

(54) Title: PORTABLE HAND-OPERATED COOLING DEVICE



(57) Abstract: A hand-operated portable refreshing device (10, 110) comprising :- a containing unit (12) :- a first container or reservoir (14, 112) containing air ; - means (22, 114) to feed and slightly pressurize the air in said first container or reservoir ; - a second separate container (32, 120) for the liquid ; - an outlet mouth (20) with multiple nozzles (58, 60, 170, 142') of which at least one of said nozzles (58, 170) is connected to said second container (32, 120) for the liquid ; - means (54, 56, 142') for feeding the pressurized air contained in said first container, separately from the other nozzles of the mouth near the outgoing liquid, and means to simultaneously dispense said air and liquid.



WO 03/013735 A3

## INTERNATIONAL SEARCH REPORT

 Internati application No  
 PCT/IB 02/04692

<b>A. CLASSIFICATION OF SUBJECT MATTER</b> IPC 7 B05B9/08		
According to International Patent Classification (IPC) or to both national classification and IPC		
<b>B. FIELDS SEARCHED</b>		
Minimum documentation searched (classification system followed by classification symbols) IPC 7 B05B		
Documentation searched other than minimum documentation to the extent that such documents are included in the fields searched		
Electronic data base consulted during the international search (name of data base and, where practical, search terms used) EPO-Internal		
<b>C. DOCUMENTS CONSIDERED TO BE RELEVANT</b>		
Category °	Citation of document, with indication, where appropriate, of the relevant passages	Relevant to claim No.
A	WO 97 38795 A (STAHLHAMMER SEMMY ;STAHLHAMMER MISCHA (SE)) 23 October 1997 (1997-10-23) the whole document ---	1-18
A	US 6 189 805 B1 (WEST JASON ET AL) 20 February 2001 (2001-02-20) column 2, line 51 -column 4, line 65; figures	1-18
A	US 6 158 669 A (LOUIS R J) 12 December 2000 (2000-12-12) column 2, line 10 -column 3, line 6; figures 1,2 -----	1-18
<input type="checkbox"/> Further documents are listed in the continuation of box C. <input checked="" type="checkbox"/> Patent family members are listed in annex.		
° Special categories of cited documents :		
*A* document defining the general state of the art which is not considered to be of particular relevance *E* earlier document but published on or after the international filing date *L* document which may throw doubts on priority claim(s) or which is cited to establish the publication date of another citation or other special reason (as specified) *O* document referring to an oral disclosure, use, exhibition or other means *P* document published prior to the international filing date but later than the priority date claimed	*T* later document published after the international filing date or priority date and not in conflict with the application but cited to understand the principle or theory underlying the invention *X* document of particular relevance; the claimed invention cannot be considered novel or cannot be considered to involve an inventive step when the document is taken alone *Y* document of particular relevance; the claimed invention cannot be considered to involve an inventive step when the document is combined with one or more other such documents, such combination being obvious to a person skilled in the art. *&* document member of the same patent family	
Date of the actual completion of the international search  19 February 2003	Date of mailing of the international search report  03/03/2003	
Name and mailing address of the ISA European Patent Office, P.B. 5818 Patentlaan 2 NL - 2280 HV Rijswijk Tel. (+31-70) 340-2040, Tx. 31 651 epo nl, Fax: (+31-70) 340-3016	Authorized officer  Daintith, E	

**INTERNATIONAL SEARCH REPORT**  
ir ion on patent family members

Internati Application No  
 PCT/JP 02/04692

Patent document cited in search report		Publication date	Patent family member(s)	Publication date
WO 9738795	A	23-10-1997	SE 503499 C2	24-06-1996
			WO 9738795 A1	23-10-1997
			AU 5520196 A	07-11-1997
			SE 9403644 A	25-04-1996
-----				
US 6189805	B1	20-02-2001	NONE	
-----				
US 6158669	A	12-12-2000	AU 7884400 A	13-03-2001
			WO 0112339 A1	22-02-2001
-----				