



US00D970786S

(12) **United States Design Patent**
Huang

(10) **Patent No.:** **US D970,786 S**

(45) **Date of Patent:** **** Nov. 22, 2022**

- (54) **CYLINDER WALL LIGHT**
- (71) Applicant: **Dongmei Huang**, Huaihua (CN)
- (72) Inventor: **Dongmei Huang**, Huaihua (CN)
- (73) Assignee: **Dongmei Huang**, Huaihua (CN)
- (**) Term: **15 Years**
- (21) Appl. No.: **29/789,372**

D819,863 S *	6/2018	Deng	D26/76
D844,581 S *	4/2019	Zhou	D14/240
D866,843 S *	11/2019	Benghozi	D26/87
D870,714 S *	12/2019	Bradley	D14/240
D889,020 S	6/2020	Bassant		
D910,219 S	2/2021	Frost		
D913,561 S *	3/2021	Yang	D26/85
D928,755 S *	8/2021	Jang	D14/240
D952,929 S *	5/2022	Van Duyesen	D26/87
2012/0287610 A1 *	11/2012	Krogman	F21S 8/00 362/249.02

(Continued)

- (22) Filed: **Sep. 18, 2021**
- (51) **LOC (13) Cl.** **26-05**
- (52) **U.S. Cl.**
USPC **D26/87**
- (58) **Field of Classification Search**
USPC D26/67-68, 72, 85-87
CPC F21S 8/00; F21S 8/03; F21S 8/033; F21S
8/036; F21S 8/043; F21S 8/046; F21S
8/061
See application file for complete search history.

OTHER PUBLICATIONS

Zuukole, Outdoor Wall Sconce. First available Dec. 23, 2020. Searched on Jul. 26, 2022. [https://www.amazon.com/Outdoor-Lantern-ZUUKOLE-Exterior-Lighting/dp/B08R7G7G9N/] (Year: 2020).*

(Continued)

Primary Examiner — Samantha Q Lawrence
Assistant Examiner — Melissa Adriane Santos
(74) *Attorney, Agent, or Firm* — Nitin Kaushik

(56) **References Cited**

U.S. PATENT DOCUMENTS

D213,279 S *	1/1969	Bernadotte et al.	D26/80
D253,854 S *	1/1980	Strignano	D26/89
D294,739 S *	3/1988	Joeger	D26/87
D316,459 S *	4/1991	Kira	D26/68
D441,125 S	4/2001	Crosby		
D442,317 S	5/2001	Crosby		
D465,298 S *	11/2002	Gottwald	D26/85
D473,002 S	4/2003	Hoernig		
D487,815 S	3/2004	Hoernig		
D511,222 S *	11/2005	Heffield	D26/76
D583,976 S *	12/2008	Horn	D26/72
D608,760 S *	1/2010	Xie	D14/188
D680,674 S *	4/2013	Jepson	D26/87
D683,494 S *	5/2013	Verdin	D26/137
D731,694 S *	6/2015	Tomlinson	D26/128
D760,939 S *	7/2016	Hoang	D26/85
D778,480 S *	2/2017	Galloppa	D26/68
D807,555 S *	1/2018	Harbs	D26/73

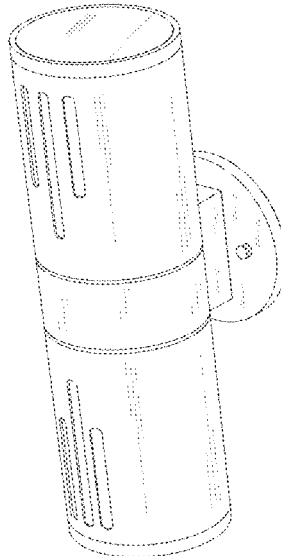
(57) **CLAIM**

The ornamental design for a cylinder wall light, as shown and described.

DESCRIPTION

FIG. 1 is a top, front, right perspective view of a cylinder wall light showing my new design;
FIG. 2 is a top, back, right perspective view thereof;
FIG. 3 is a front elevational view thereof;
FIG. 4 is a back elevational view thereof;
FIG. 5 is a right elevational view thereof;
FIG. 6 is a left elevational view thereof;
FIG. 7 is a top plan view thereof; and,
FIG. 8 is a bottom plan view thereof.

1 Claim, 8 Drawing Sheets



(56)

References Cited

U.S. PATENT DOCUMENTS

2019/0331137 A1* 10/2019 Xiao F04D 29/325
2020/0363026 A1* 11/2020 Ko F21S 8/033

OTHER PUBLICATIONS

ShineTech, Outdoor Wall Light. First available Oct. 12, 2021. Searched on Jul. 26, 2022. [<https://www.amazon.com/Exterior-Fixtures-Waterproof-Anti-Rust-Entryway/dp/B09J87891F>] (Year: 2021).*

N/P, Outdoor Wall Sconce. First available Jul. 22, 2021. Searched on Jul. 26, 2022. [<https://www.amazon.com/Exterior-Fixtures-Aluminum-Cylindrical-Courtyards/dp/B09B62QKQP/>] (Year: 2021).*

* cited by examiner

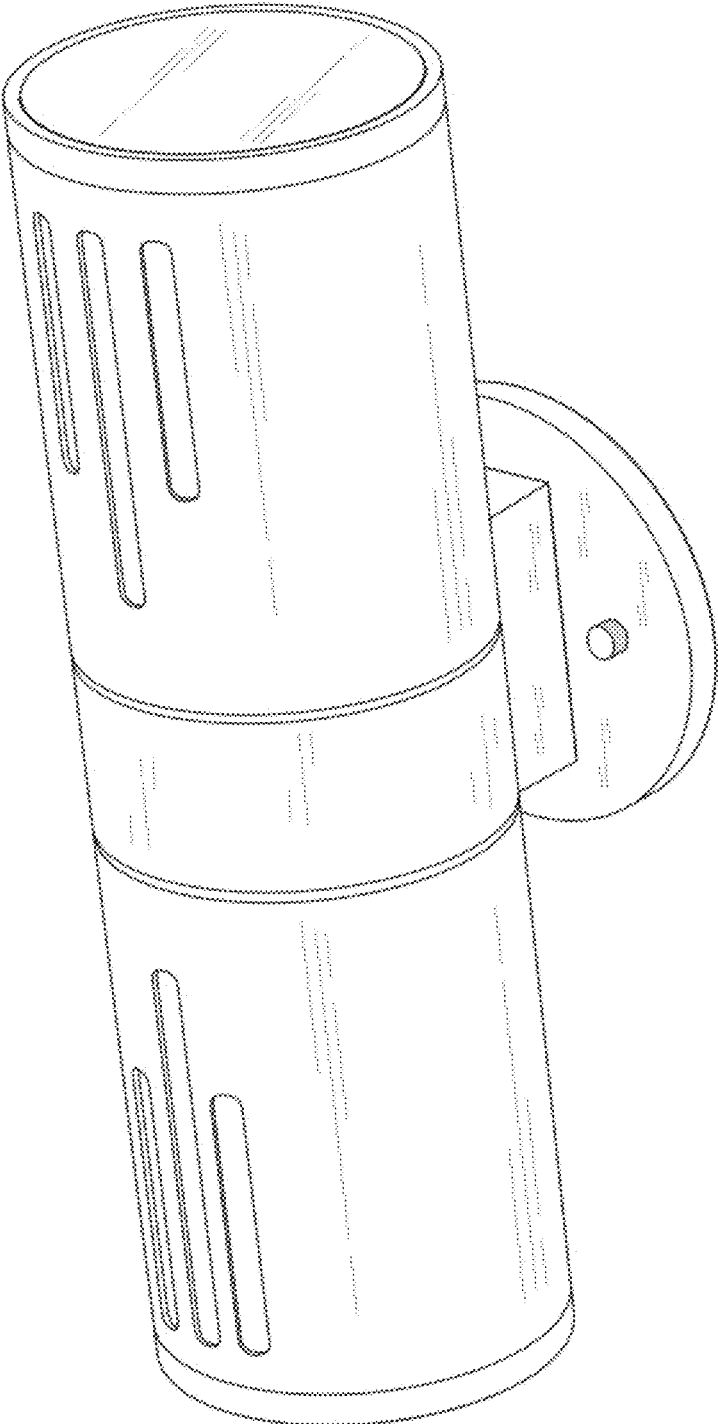


FIG 1

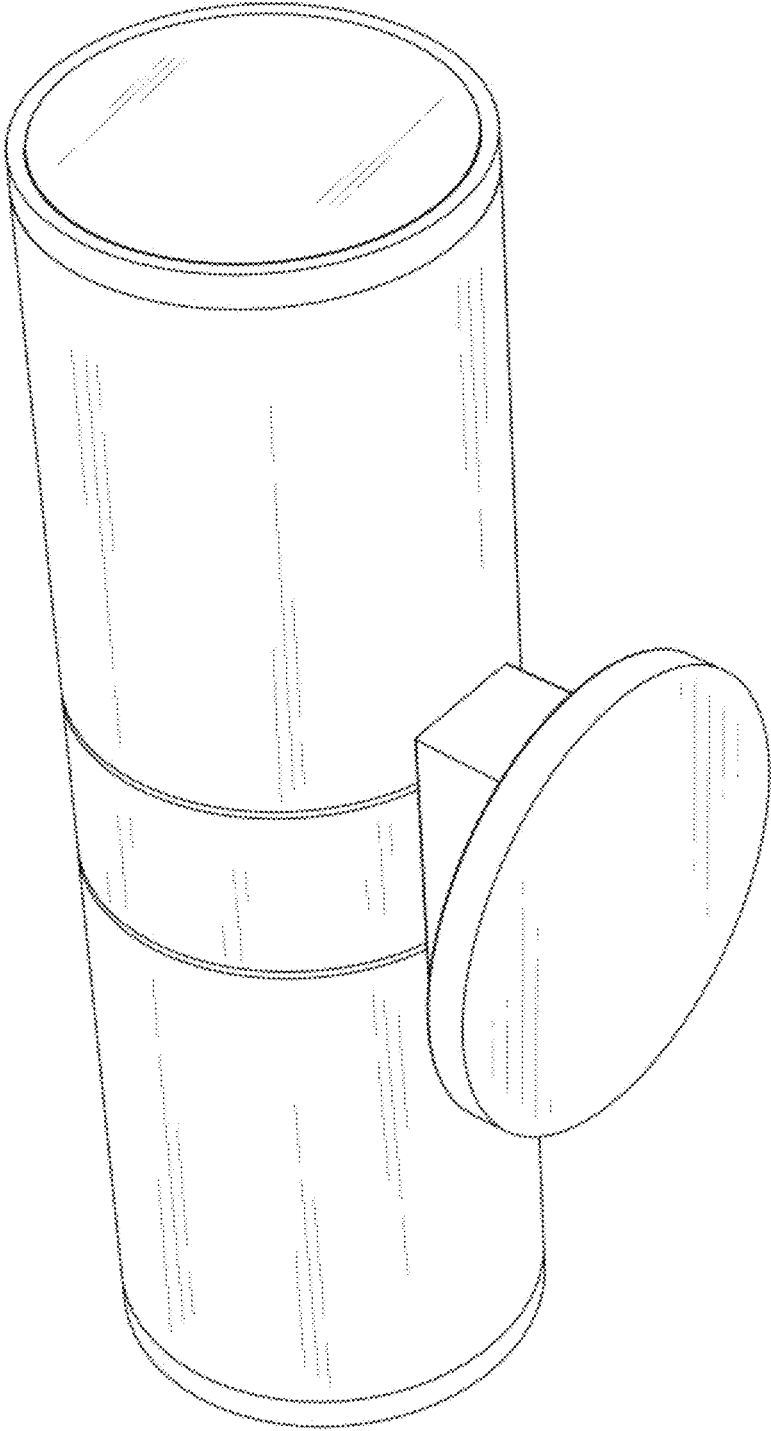


FIG 2

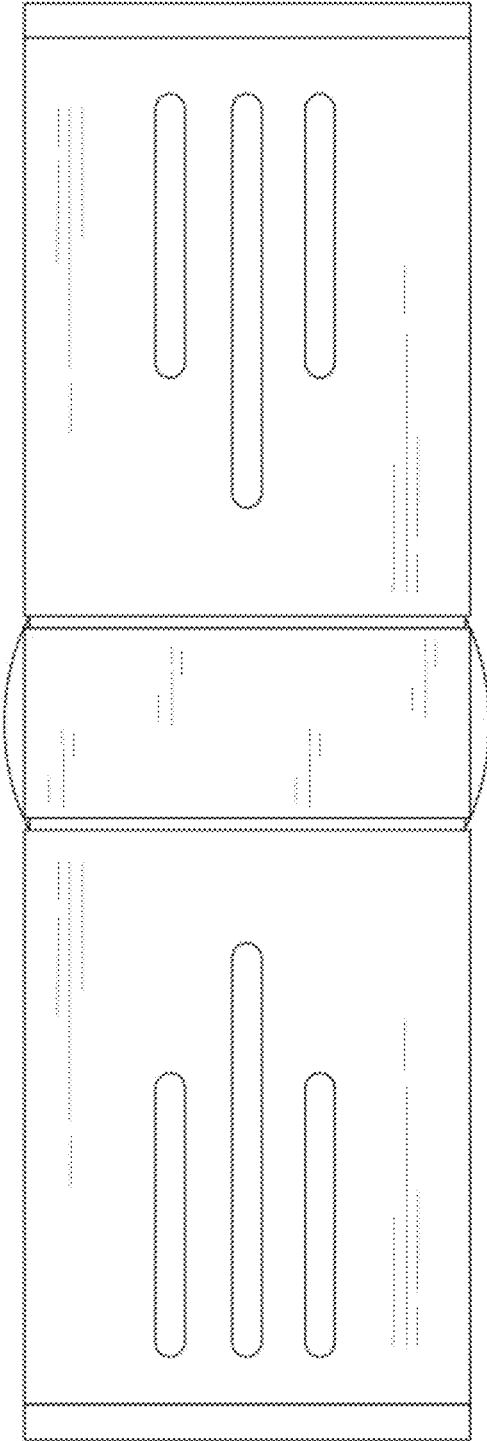


FIG3

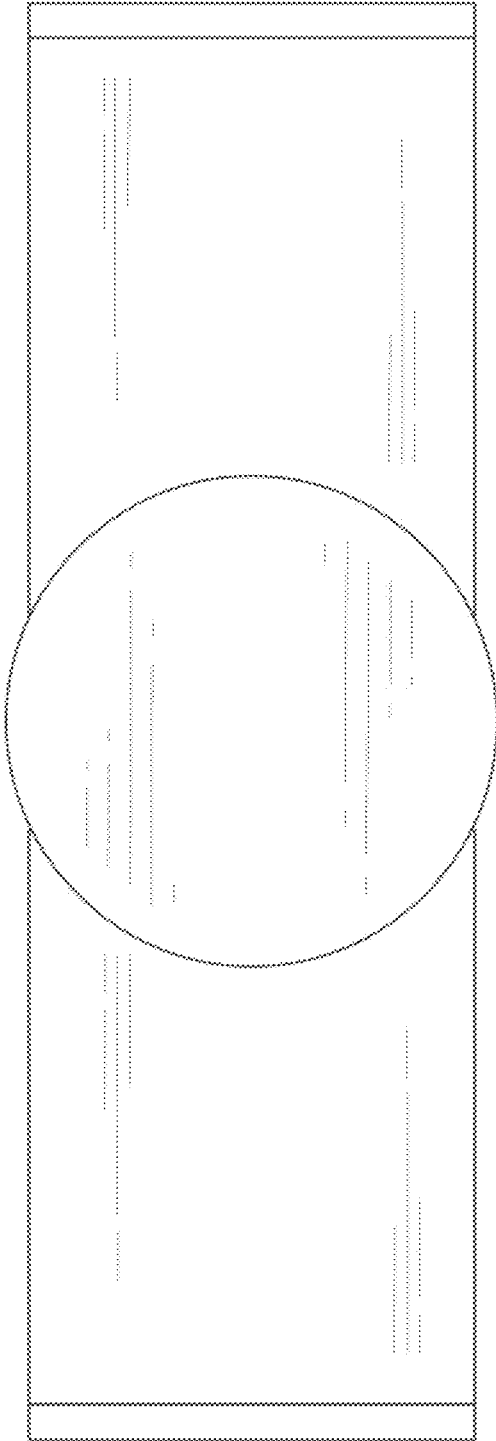


FIG4

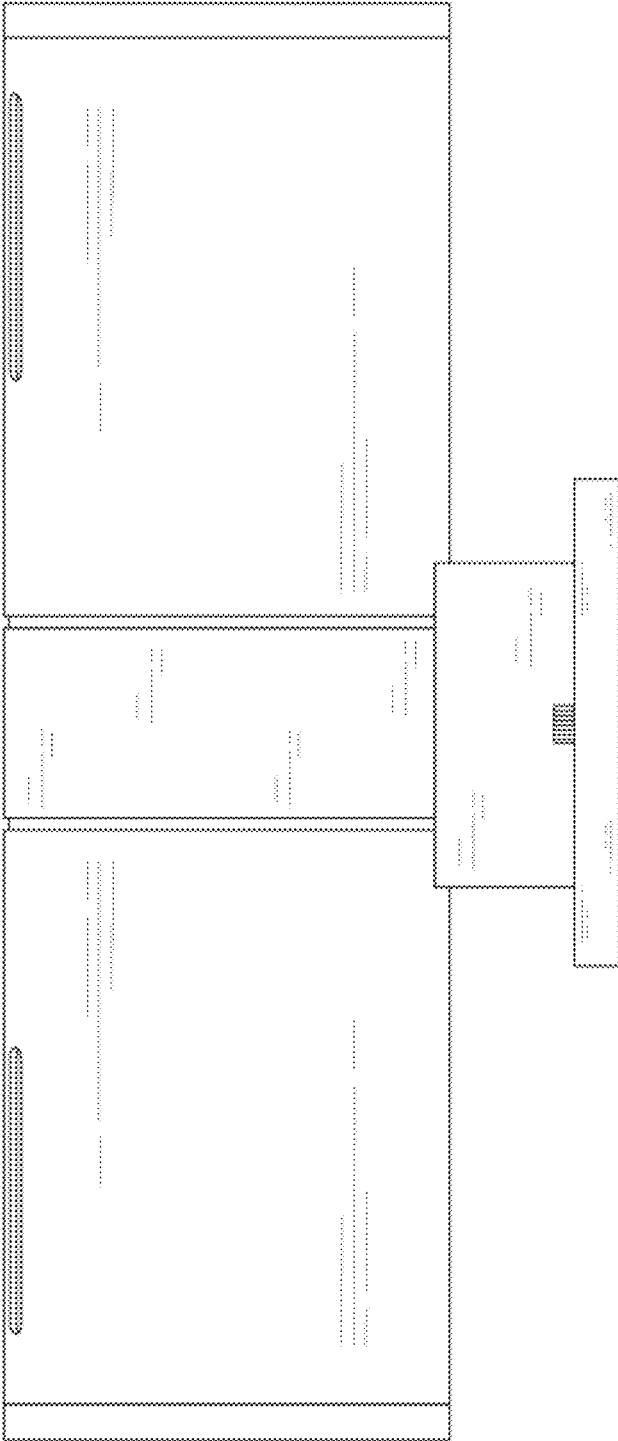


FIG 5

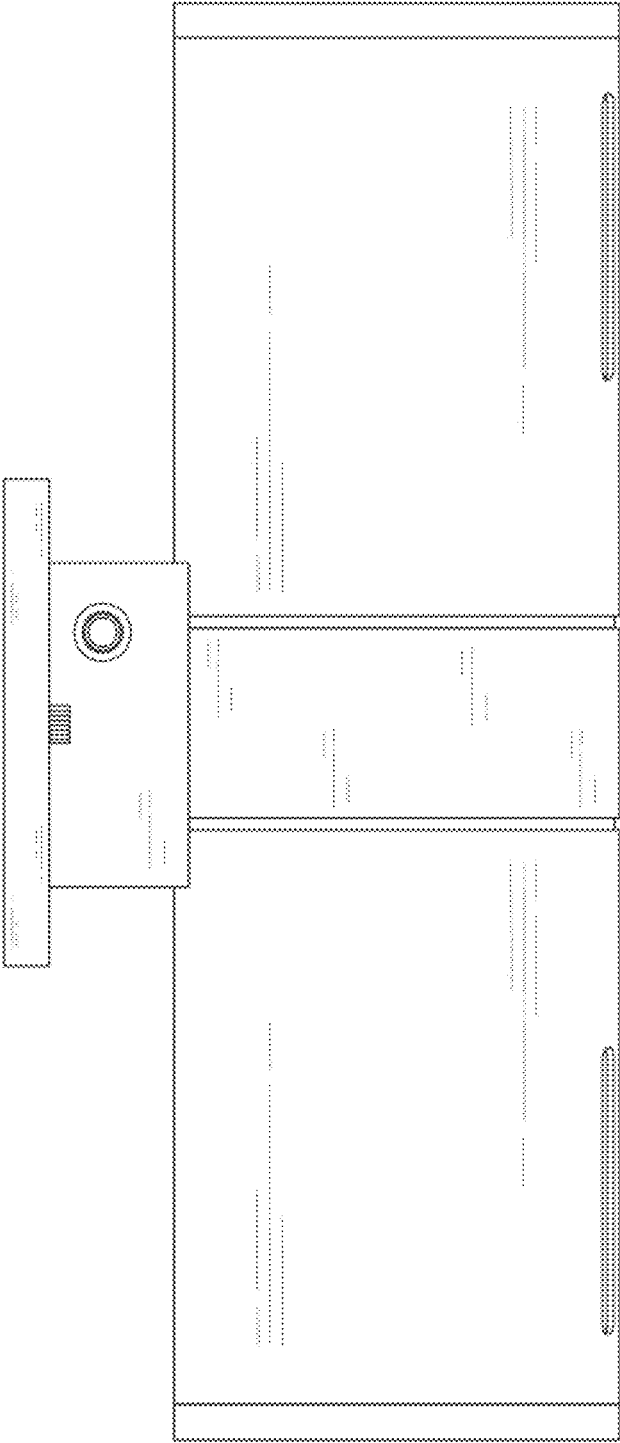


FIG 6

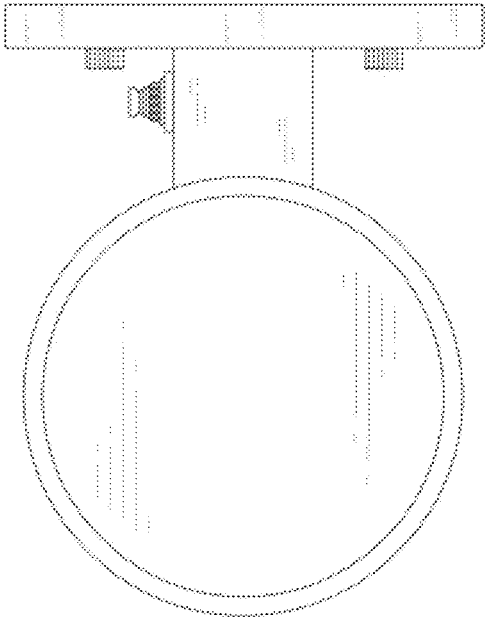


FIG 7

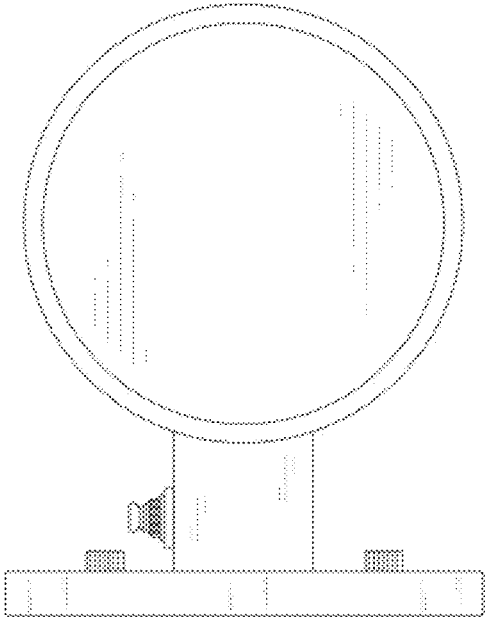


FIG8