



(12) **United States Design Patent**  
**Li**

(10) **Patent No.:** **US D1,004,641 S**  
(45) **Date of Patent:** **\*\* Nov. 14, 2023**

- (54) **ICE TRAY**
- (71) Applicant: **Jian Li**, Zhejiang (CN)
- (72) Inventor: **Jian Li**, Zhejiang (CN)
- (\*\*) Term: **15 Years**
- (21) Appl. No.: **29/876,551**
- (22) Filed: **May 24, 2023**

D587,072 S *	2/2009	Friedman .....	D7/605
D634,982 S *	3/2011	Melchert .....	D7/605
D657,562 S *	4/2012	McNamara .....	D3/304
D697,095 S *	1/2014	Chan .....	D15/90
D709,336 S *	7/2014	Liebenthal .....	D7/605
D855,087 S *	7/2019	Lopez .....	D15/89
D941,890 S *	1/2022	Song .....	
D951,307 S *	5/2022	Wu .....	D15/90
D969,179 S *	11/2022	Wu .....	D15/90
D971,684 S *	12/2022	Peng .....	D15/90

(Continued)

**Related U.S. Application Data**

- (63) Continuation of application No. 29/839,209, filed on May 19, 2022.
- (51) **LOC (14) Cl.** ..... **07-10**
- (52) **U.S. Cl.** ..... **D15/90**  
USPC .....
- (58) **Field of Classification Search**  
USPC ..... D7/300, 368, 387, 603, 605-609, 619.1, D7/669, 672, 675, 676, 709, 710; D15/79, 80, 90; D9/757, 759; D3/201, D3/203.1-203.8, 272-274, 283, 289, 301  
CPC ..... F25C 1/08; F25C 1/24; F25C 1/25; F25C 1/243; F25C 1/246; B65D 81/38; B65D 81/3813; B65D 81/3816; B65D 81/3818; B65D 81/382; B65D 81/3823; B65D 81/3825; B65D 81/3827; B65D 81/383; B65D 81/3832; B65D 81/3834; B65D 81/3848; B65D 81/3851; B65D 81/3853; B65D 81/3855; B65D 81/3858; B65D 81/386; B65D 81/3862; B65D 81/3874; F25D 2331/804; F25D 2331/801; A45C 11/20  
See application file for complete search history.

(56) **References Cited**

**U.S. PATENT DOCUMENTS**

D284,254 S *	6/1986	Carlson .....	D7/629
D553,165 S *	10/2007	Lee .....	D15/89

**OTHER PUBLICATIONS**

ZZWILLB, Ice Cube Tray with Lid for Freezer 64 Nuggets Silicone Ice Tray with Storage Bin, (date first available Mar. 28, 2022), Amazon.com, URL:<<https://www.amazon.com/ZZWILLB-Silicone-Stackable-Container-Cocktail/dp/B09WYMQWY>> (Year: 2022).\*

(Continued)

*Primary Examiner* — Calvin E Vansant  
*Assistant Examiner* — Mark T. Philipps

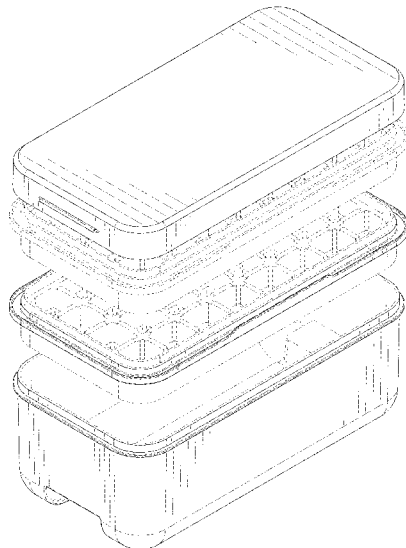
(57) **CLAIM**

The ornamental design for an ice tray, as shown and described.

**DESCRIPTION**

FIG. 1 is a front, top perspective view of an ice tray, showing my new design;  
FIG. 2 is a rear, bottom perspective view thereof;  
FIG. 3 is a front elevation view thereof;  
FIG. 4 is a rear elevation view thereof;  
FIG. 5 is a left side elevation view thereof;  
FIG. 6 is a right side elevation view thereof;  
FIG. 7 is a top plan view thereof;  
FIG. 8 is a bottom plan view thereof; and,  
FIG. 9 is an exploded view thereof.  
The broken lines in the figures illustrate portions of the ice tray that form no part of the claimed design.

**1 Claim, 9 Drawing Sheets**



(56)

**References Cited**

U.S. PATENT DOCUMENTS

2009/0152438 A1\* 6/2009 Chu ..... F25C 1/24  
249/105  
2017/0205130 A1\* 7/2017 Thayyullathil ..... F25D 11/00  
2018/0283759 A1\* 10/2018 Bess ..... F25C 1/10  
2018/0306479 A1\* 10/2018 Vazquez ..... F25C 1/18

OTHER PUBLICATIONS

Xgunion, Ice Cube Tray with Lid and Bin Silicone Ice Cube Tray for Freezer 64 Nugget Ice, (date first available Mar. 31, 2022), Amazon.com, URL:<<https://www.amazon.com/Silicone-Freezer-Stackable-Release-Container/dp/B09WXTG8XC/>> (Year: 2022).\*

\* cited by examiner

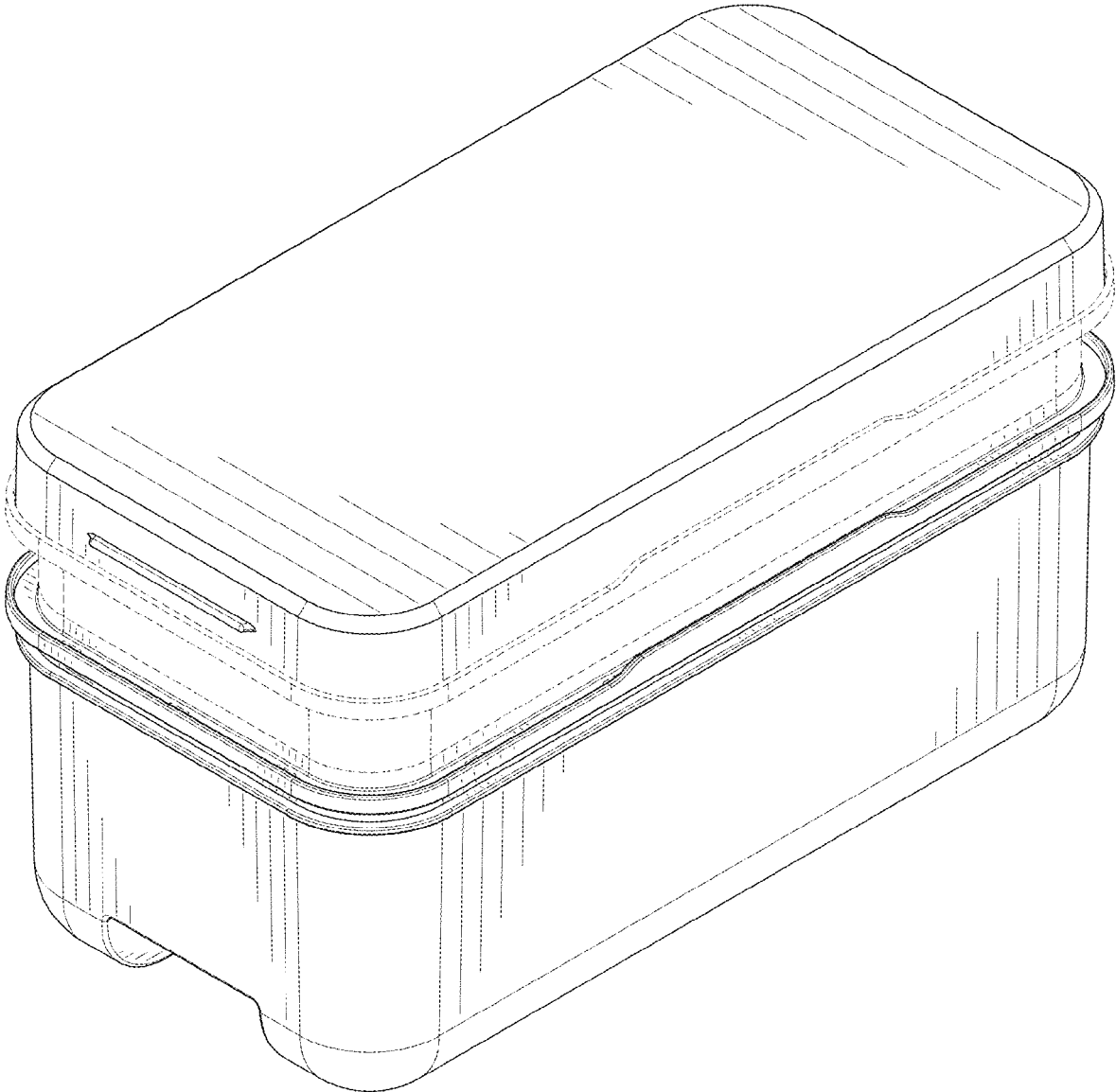


FIG. 1

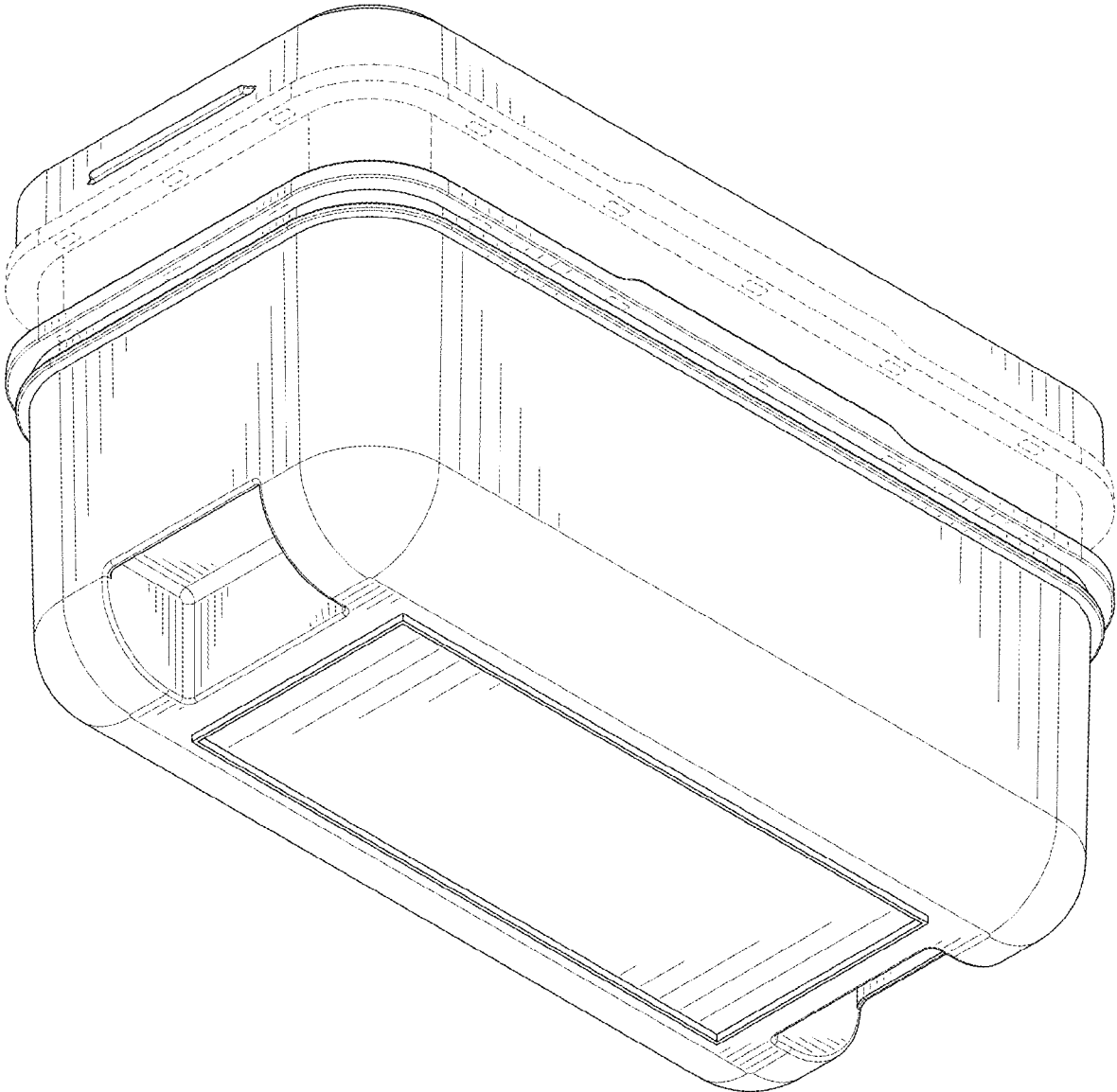


FIG. 2

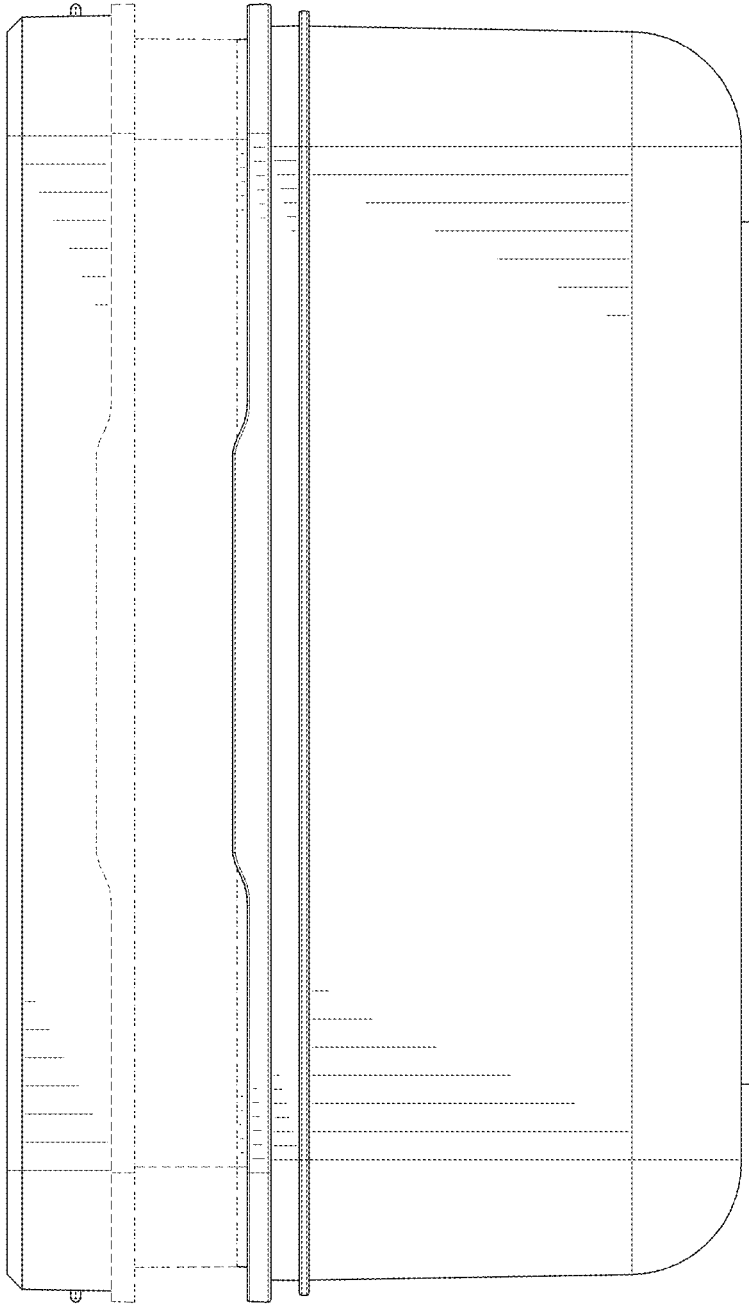


FIG. 3

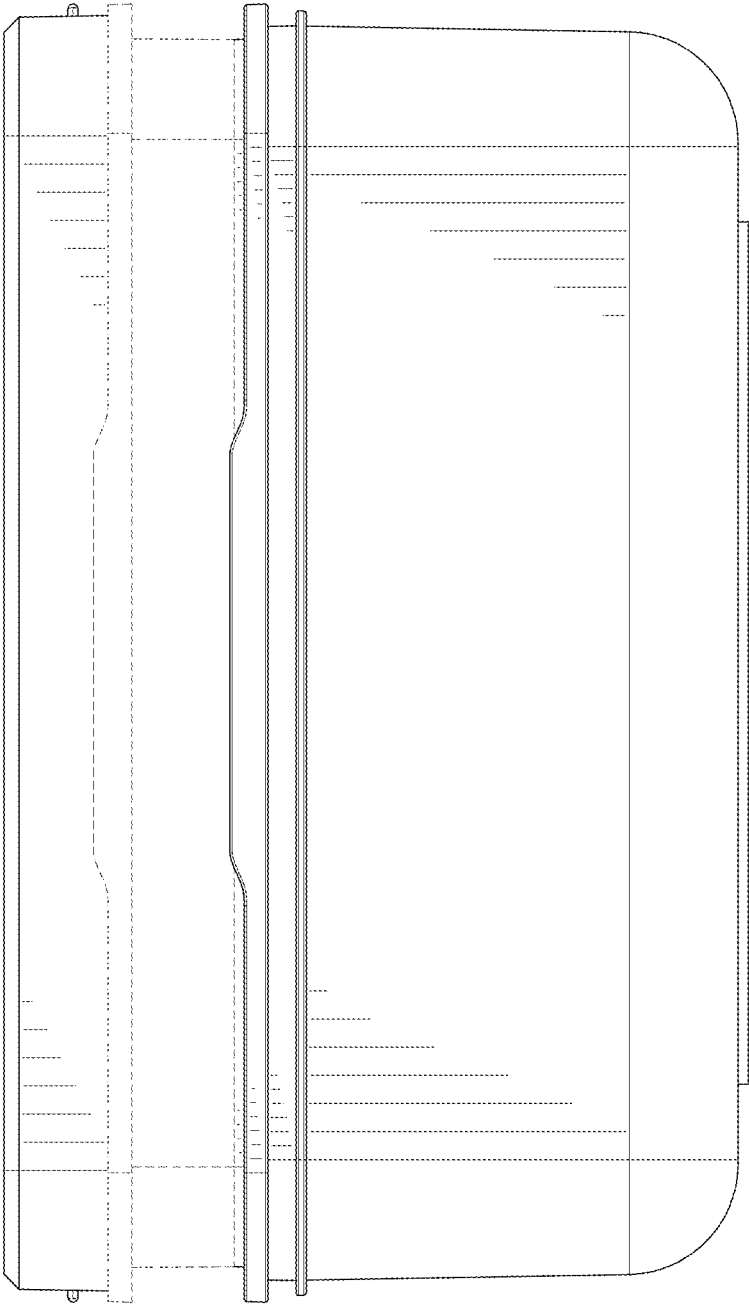


FIG. 4

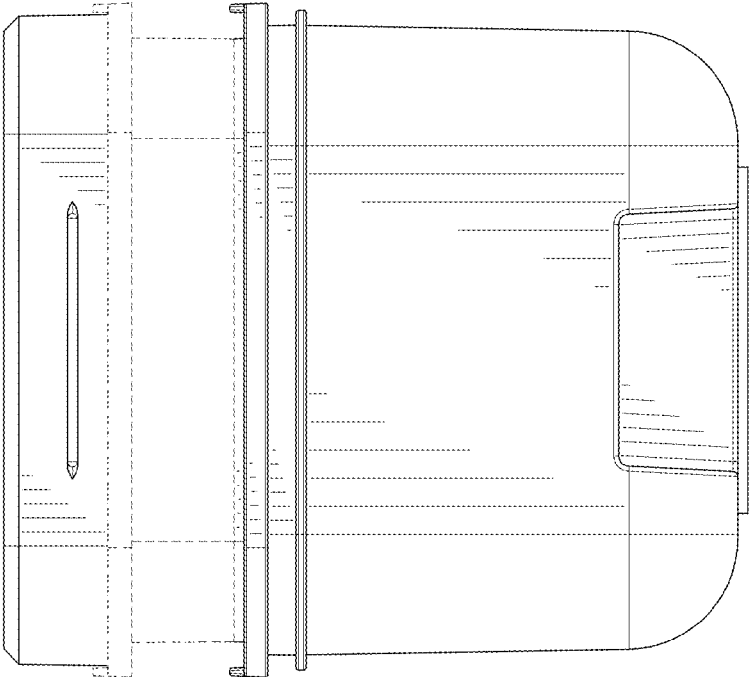


FIG. 5

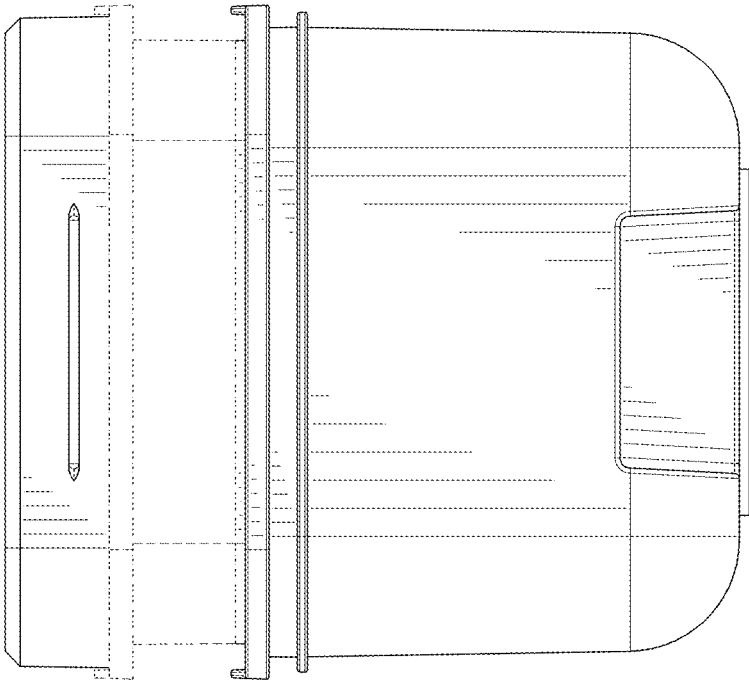


FIG. 6

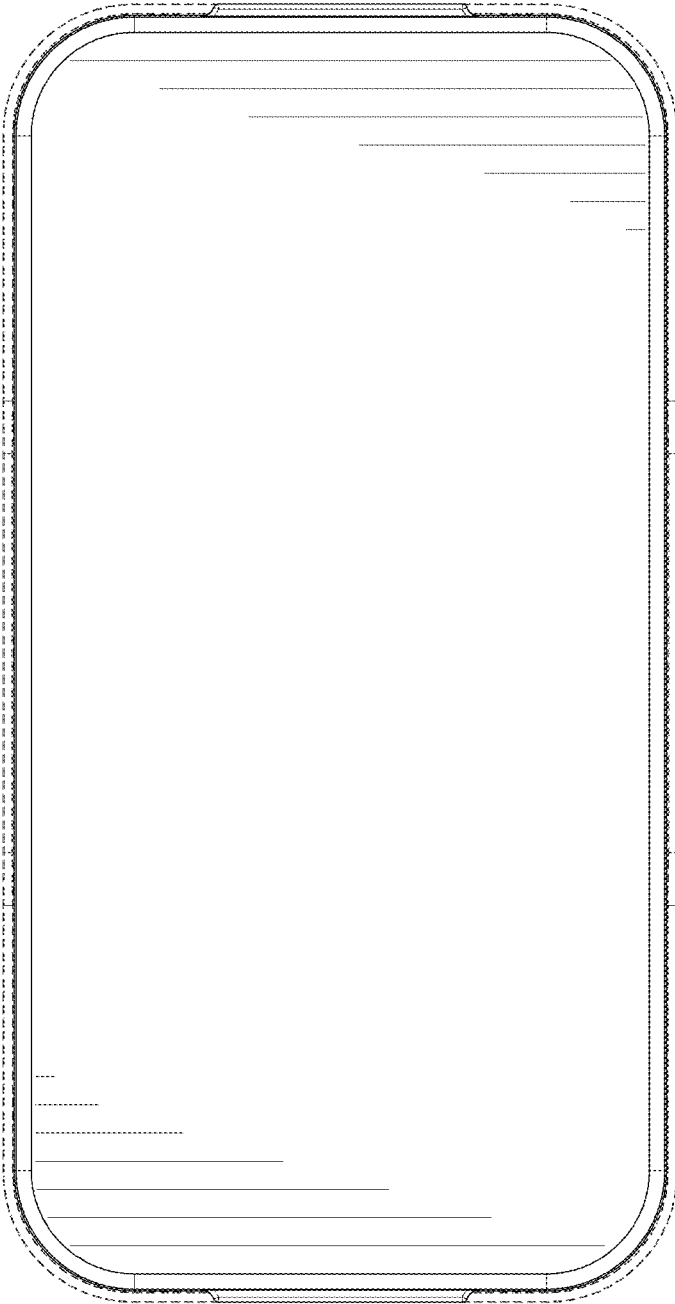


FIG. 7

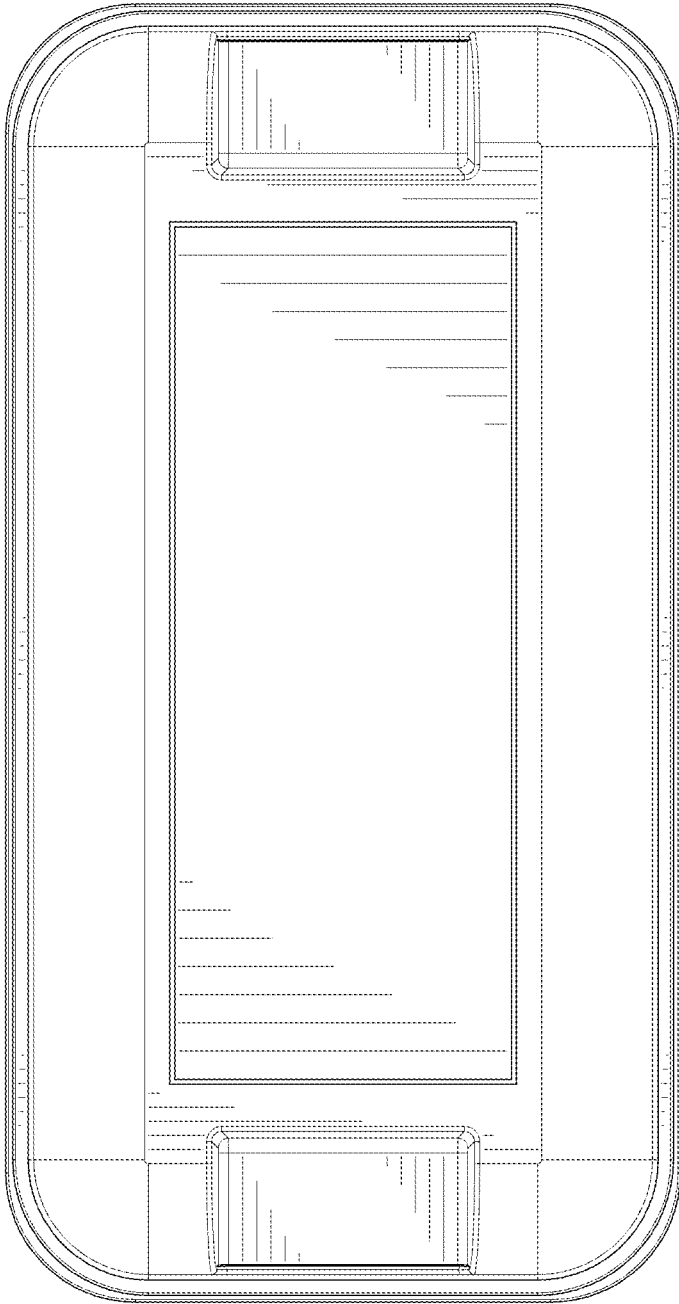


FIG. 8

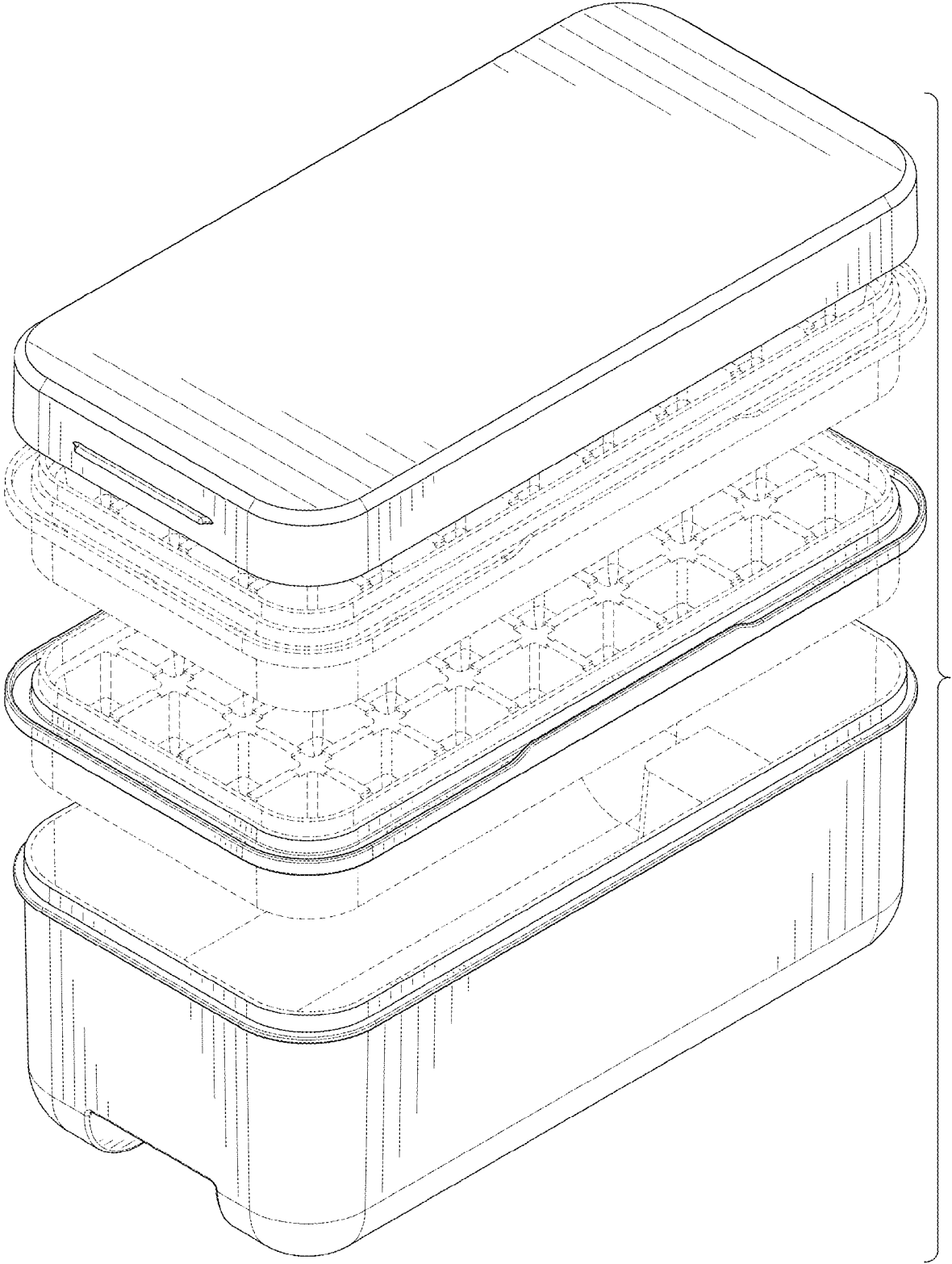


FIG. 9