



US0D1064458S

(12) **United States Design Patent**  
**Mao**

(10) **Patent No.:** **US D1,064,458 S**

(45) **Date of Patent:** **\*\* Feb. 25, 2025**

(54) **LITTER BOX**

D960,465 S 8/2022 Veness et al.  
D1,013,980 S 2/2024 Zhang et al.  
2010/0307424 A1\* 12/2010 Evans ..... A01K 1/033  
119/416

(71) Applicant: **FUJIAN EASTWEST LIFEWIT TECHNOLOGY CO., LTD.**, Fuzhou (CN)

(Continued)

(72) Inventor: **Ruiming Mao**, Fuzhou (CN)

**FOREIGN PATENT DOCUMENTS**

(73) Assignee: **FUJIAN EASTWEST LIFEWIT TECHNOLOGY CO., LTD.**, Fuzhou (CN)

CN 201930007012.0 \* 9/2019  
CN 201930623670.2 \* 7/2020  
CN 202030391346.5 \* 12/2020

(Continued)

(\*\*) Term: **15 Years**

**OTHER PUBLICATIONS**

(21) Appl. No.: **29/945,962**

Bundle-N-Bliss—posted Jul. 4, 2019—retrieved Dec. 12, 2024. Retrieved from Internet \_ <https://www.amazon.com/Bundle-Bliss-Secret-Litter-Box/dp/B07TXMWPW2?th=1> (Year: 2019).\*

(22) Filed: **Jun. 6, 2024**

(Continued)

(30) **Foreign Application Priority Data**

Dec. 12, 2023 (CN) ..... 202330816639.7

*Primary Examiner* — Calvin E Vansant

*Assistant Examiner* — Sherry L Jones

(51) **LOC (15) Cl.** ..... **30-11**

(52) **U.S. Cl.**

USPC ..... **D30/161**

(58) **Field of Classification Search**

USPC ..... D30/118, 117, 112, 108, 107, 161; D7/545, 554.3; D6/349

CPC .... A01K 1/011; A01K 1/0114; A01K 1/0117; A01K 1/0107; B65F 1/04; B07B 1/02

See application file for complete search history.

(57)

**CLAIM**

The ornamental design for a litter box as shown and described.

**DESCRIPTION**

FIG. 1 is a perspective view of a litter box showing my new design;

FIG. 2 is another perspective view thereof;

FIG. 3 is a front elevational view thereof;

FIG. 4 is a rear elevational view thereof;

FIG. 5 is a left side elevational view thereof;

FIG. 6 is a right side elevational view thereof;

FIG. 7 is a top plan view thereof; and,

FIG. 8 is a bottom plan view thereof.

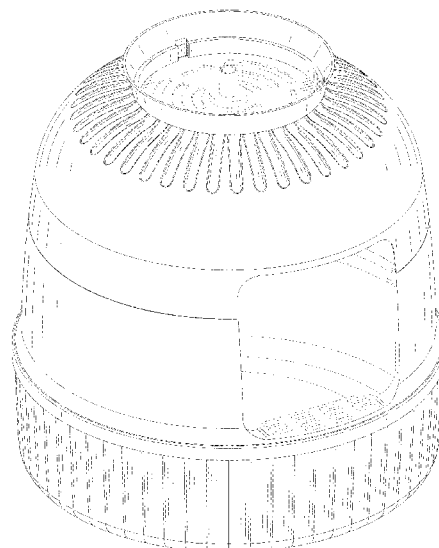
The broken lines in the drawings depict portions of the litter box that form no part of the claimed design.

(56) **References Cited**

**U.S. PATENT DOCUMENTS**

D298,371 S \* 11/1988 Reynolds ..... D30/161  
D308,589 S \* 6/1990 Shay ..... D30/161  
5,188,063 A \* 2/1993 Evans ..... A01K 1/0107  
119/28.5  
D370,317 S \* 5/1996 Kohus ..... 119/161  
D496,501 S \* 9/2004 Walter ..... D30/161  
D524,492 S \* 7/2006 Wan ..... D30/161  
9,750,225 B1 \* 9/2017 Makins ..... A01K 1/0107  
D858,006 S \* 8/2019 Giddings ..... D30/161

**1 Claim, 8 Drawing Sheets**



(56)

**References Cited**

U.S. PATENT DOCUMENTS

2017/0258033 A1\* 9/2017 Dmoch ..... A01K 1/0107

FOREIGN PATENT DOCUMENTS

CN	202230070778.5	*	5/2022
CN	202230802385.9	*	3/2023
EM	002922575	*	11/2016
WO	D103841-001	*	11/2018

OTHER PUBLICATIONS

EXuby—posted Jun. 30, 2022—retrieved Dec. 12, 2024\_ Retrieved from Internet \_ <https://www.amazon.com.au/eXuby-Hidden-Litter-Box-Cats/dp/B0B5K4YQMQ> (Year: 2022).\*

Good Pet Stuff—posted Mar. 31, 2021—retrieved Dec. 12, 2024\_ Retrieved from Internet \_ <https://www.amazon.de/-/en/Original-Hidden-Litter-Artificial-Ventilated/dp/B091GR6BFR?th=1> (Year: 2021).\*

Hanxiaoyishop—posted Nov. 17, 2021—retrieved Dec. 12, 2024\_ Retrieved from Internet \_ <https://www.amazon.com/hanxiaoyishop-Splash-Proof-Multifunctional-Detachable-Material/dp/B09M2XJK6S?th=1> (Year: 2021).\*

Kizqyn—posted Dec. 14, 2022—retrieved Dec. 12, 2024\_ Retrieved from Internet \_ [https://www.amazon.ca/Toilet-Classic-Semi-Enclosed-Separate-Supplies/dp/B0BQ1XCZK7/ref=sr\\_1\\_1](https://www.amazon.ca/Toilet-Classic-Semi-Enclosed-Separate-Supplies/dp/B0BQ1XCZK7/ref=sr_1_1) (Year: 2022).\*

So Phresh—posted Jun. 11, 2020—retrieved Dec. 12, 2024\_ Retrieved from Internet \_ <https://www.amazon.com/So-Phresh-Geometric-Covered-Regular/dp/B08B58F3DS?th=1> (Year: 2020).\*

\* cited by examiner

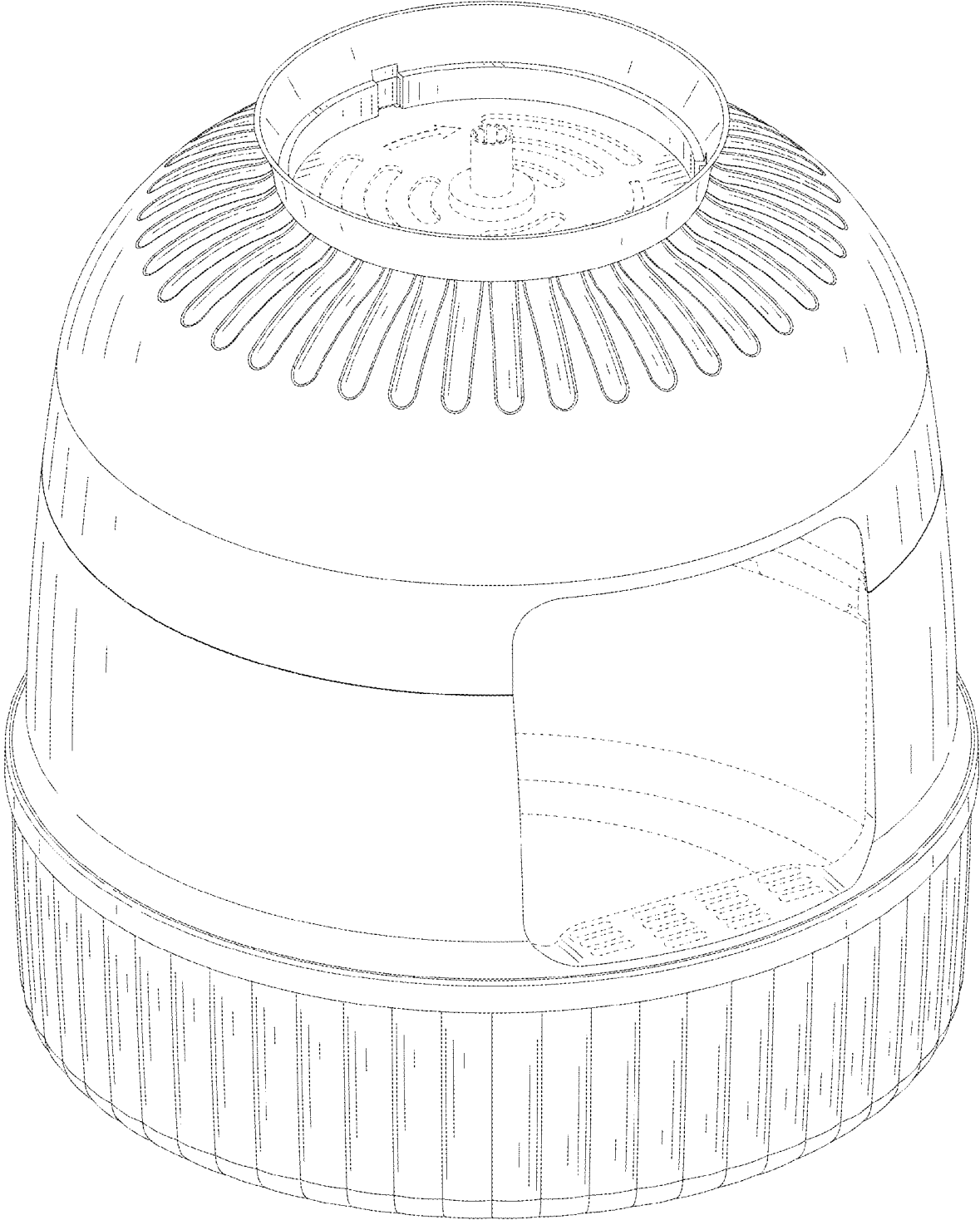


FIG. 1

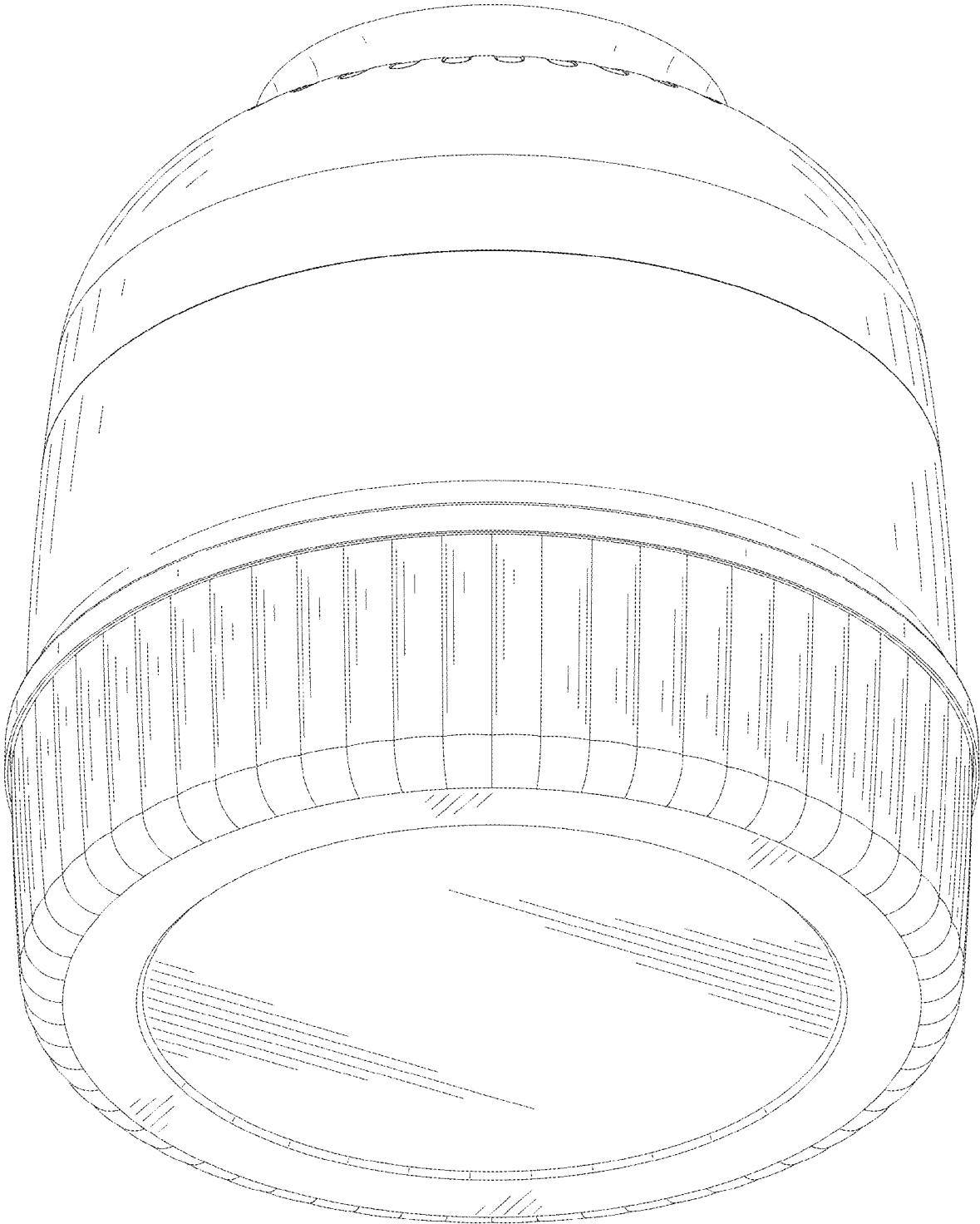


FIG. 2

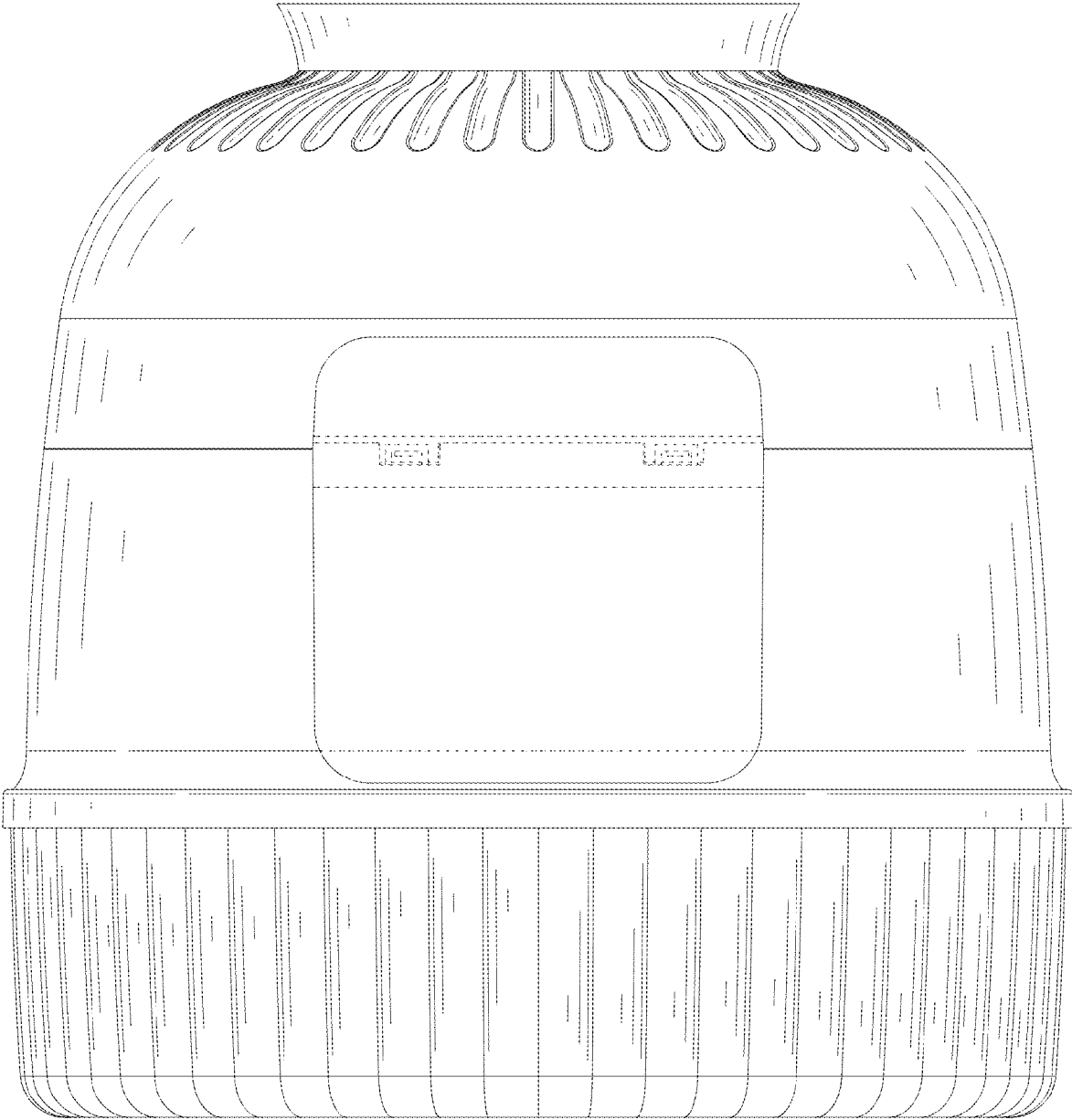


FIG. 3

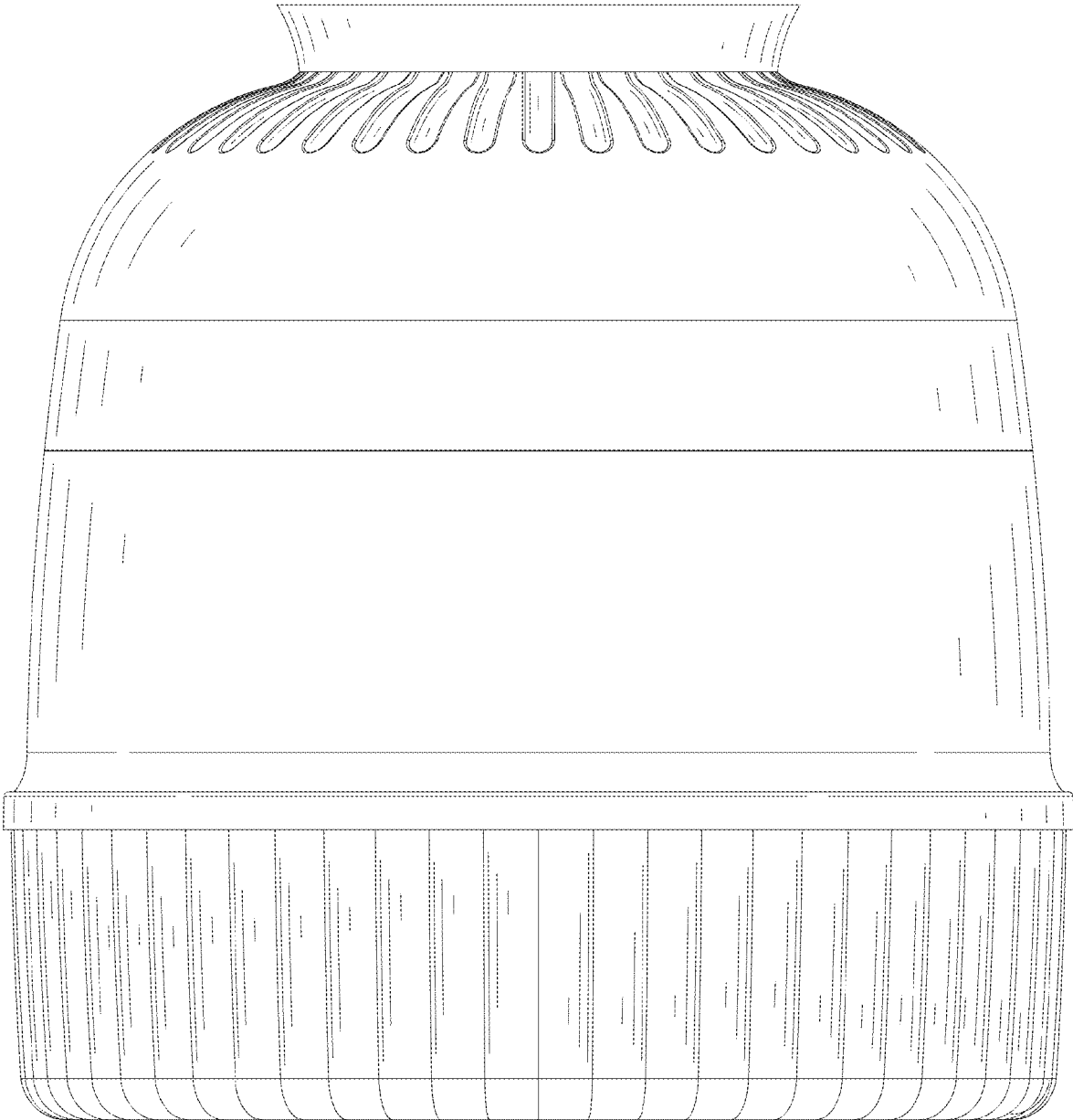


FIG. 4

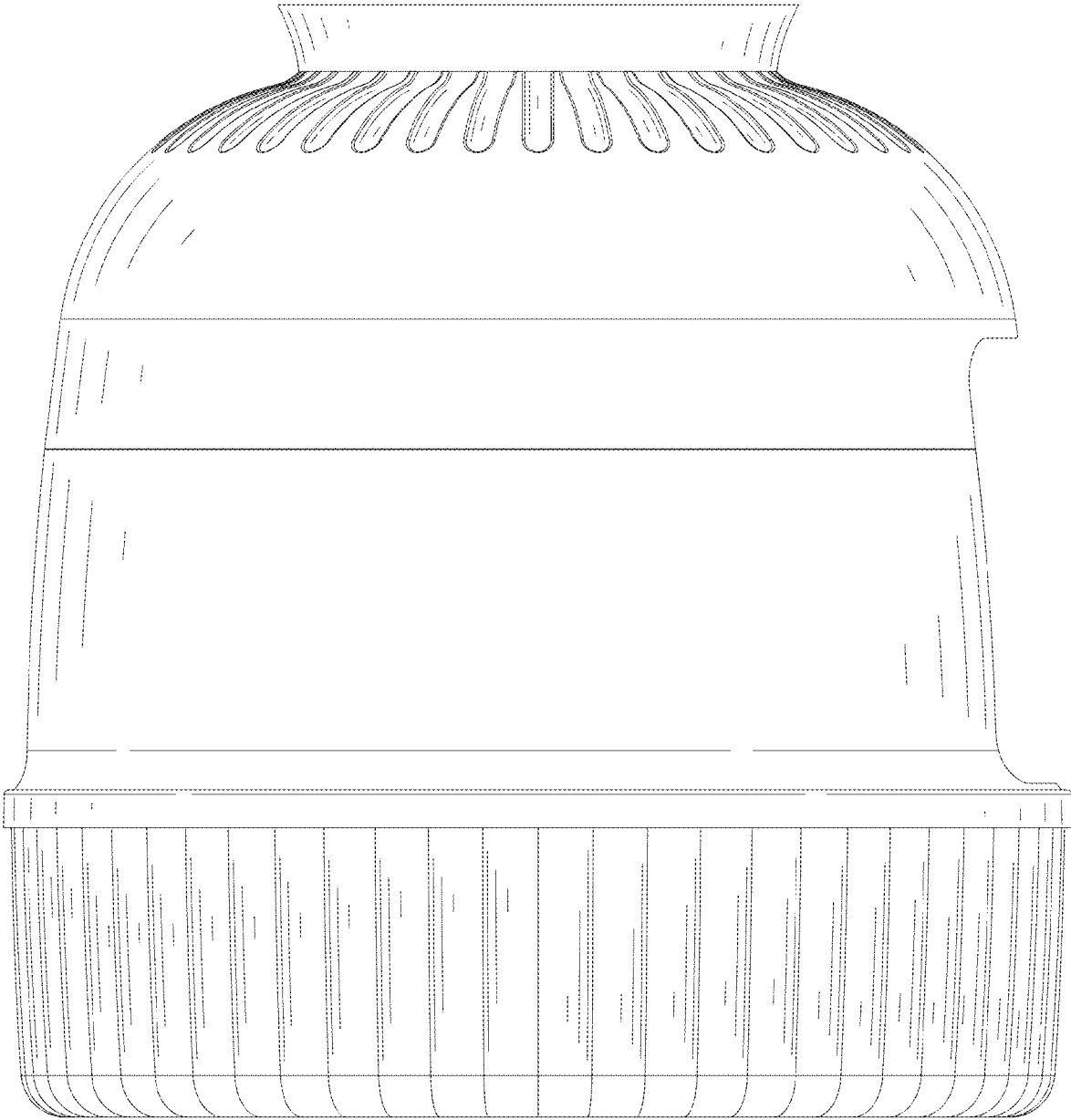


FIG. 5

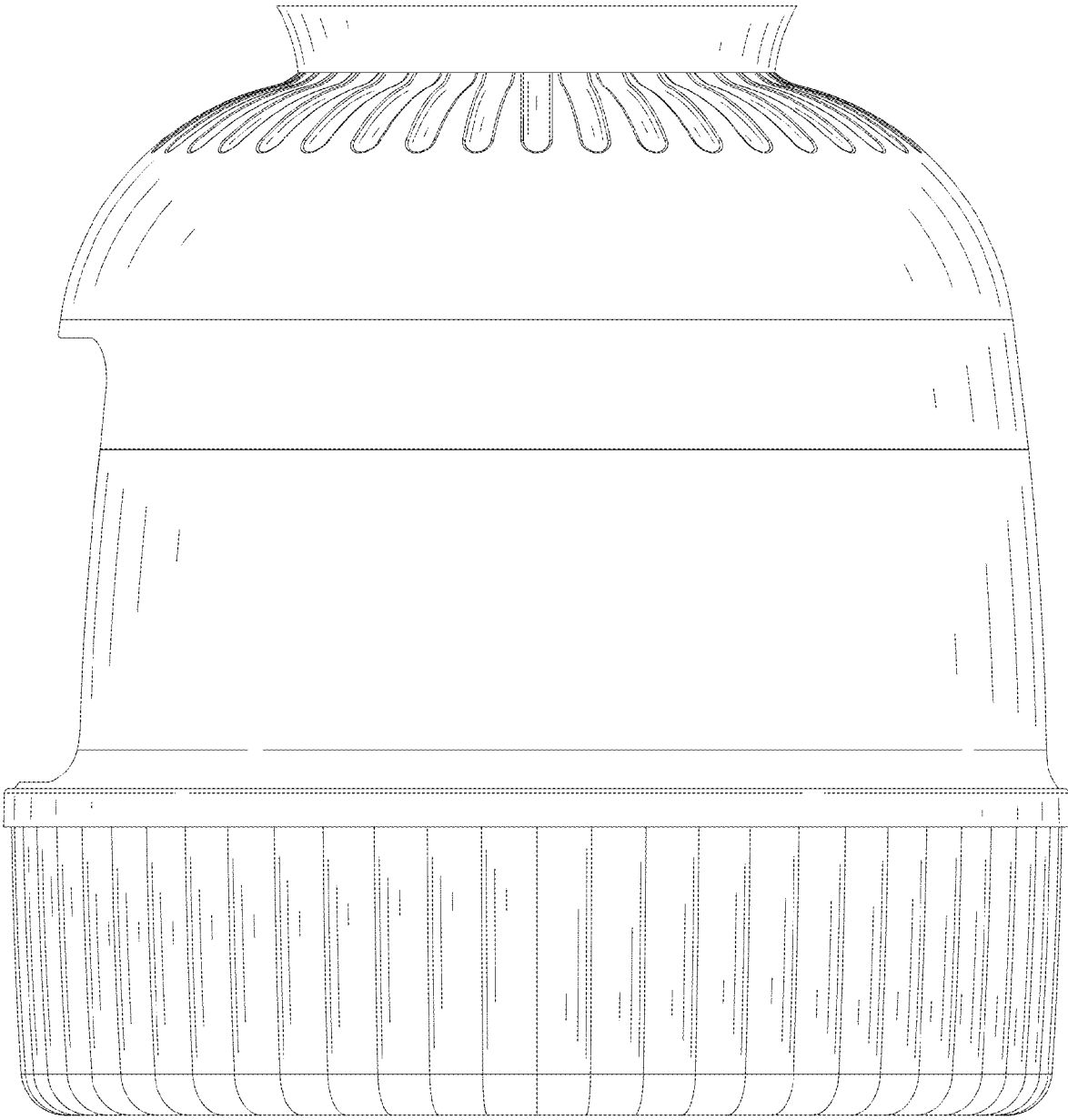


FIG. 6

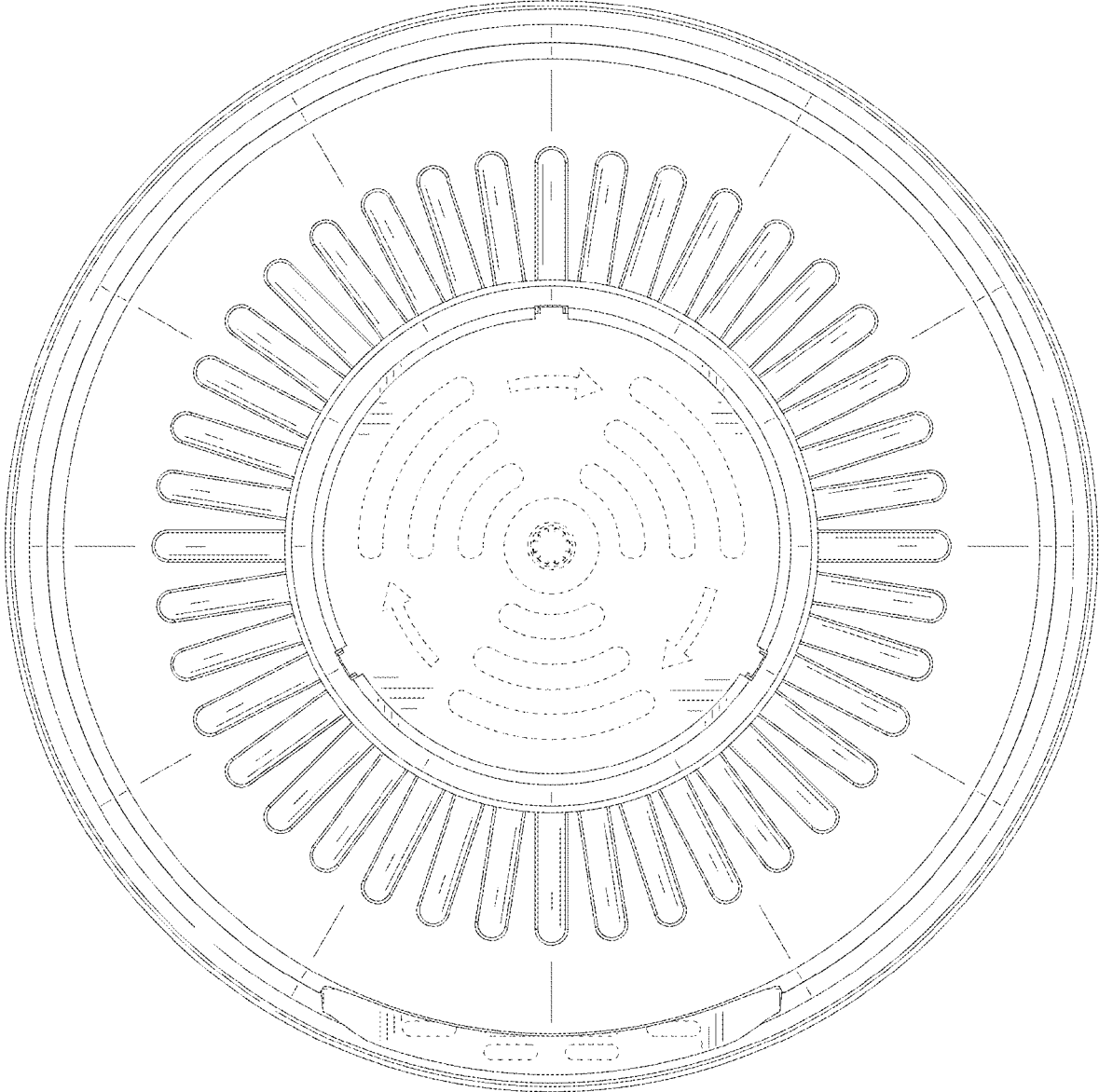


FIG. 7

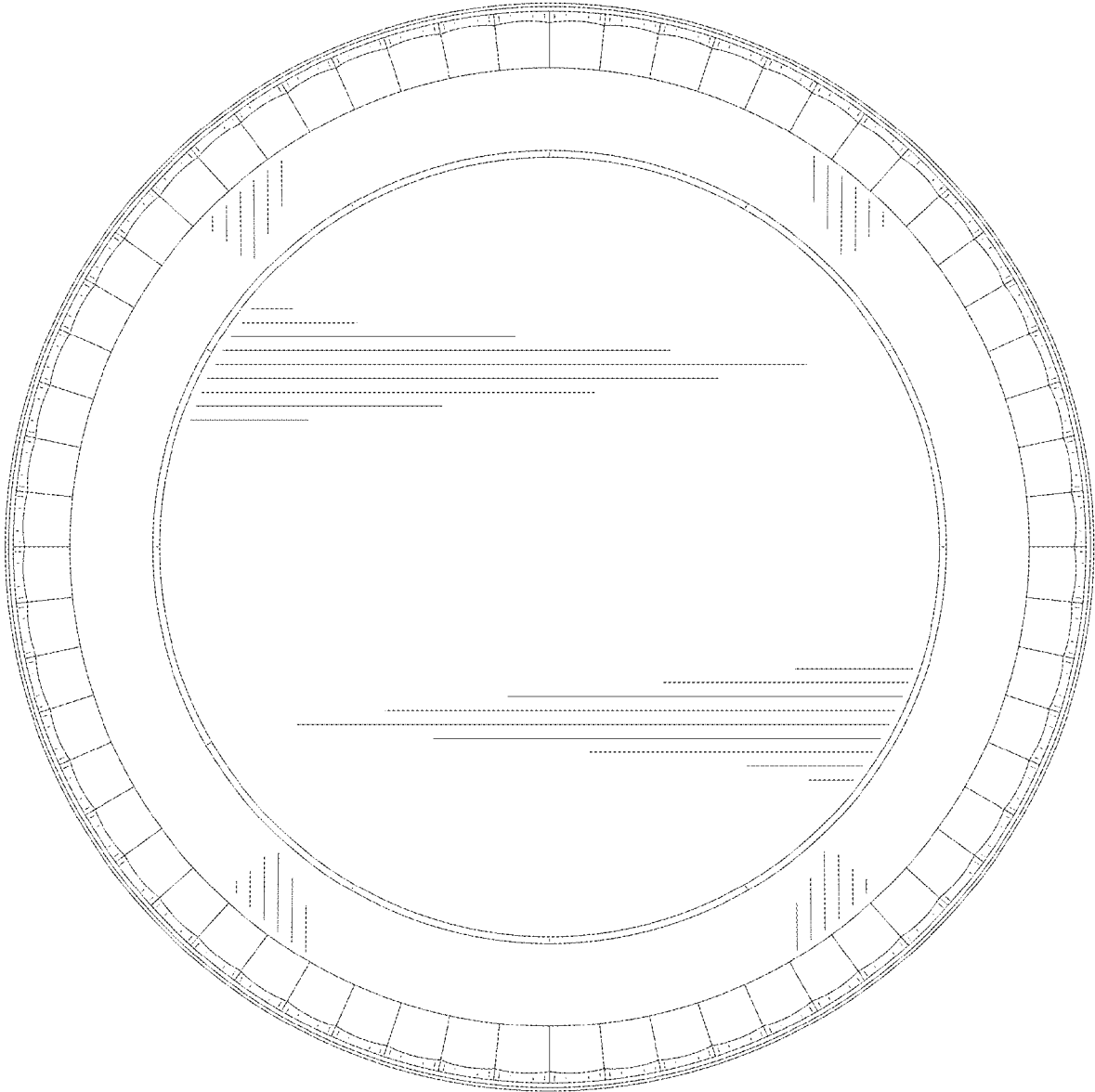


FIG. 8