

(19) World Intellectual Property Organization
International Bureau



(43) International Publication Date
10 September 2010 (10.09.2010)

(10) International Publication Number
WO 2010/101456 A3

(51) International Patent Classification:
F03D 5/00 (2006.01)

(21) International Application Number:
PCT/NL2010/000034

(22) International Filing Date:
1 March 2010 (01.03.2010)

(25) Filing Language: Dutch

(26) Publication Language: English

(30) Priority Data:
1036653 2 March 2009 (02.03.2009) NL

(72) Inventor; and

(71) Applicant : HAGG, Franklin [NL/NL]; Frieseweg 132,
NL-1823 CG Alkmaar (NL).

(81) Designated States (unless otherwise indicated, for every kind of national protection available): AE, AG, AL, AM, AO, AT, AU, AZ, BA, BB, BG, BH, BR, BW, BY, BZ, CA, CH, CL, CN, CO, CR, CU, CZ, DE, DK, DM, DO, DZ, EC, EE, EG, ES, FI, GB, GD, GE, GH, GM, GT, HN, HR, HU, ID, IL, IN, IS, JP, KE, KG, KM, KN, KP, KR, KZ, LA, LC, LK, LR, LS, LT, LU, LY, MA, MD,

ME, MG, MK, MN, MW, MX, MY, MZ, NA, NG, NI, NO, NZ, OM, PE, PG, PH, PL, PT, RO, RS, RU, SC, SD, SE, SG, SK, SL, SM, ST, SV, SY, TH, TJ, TM, TN, TR, TT, TZ, UA, UG, US, UZ, VC, VN, ZA, ZM, ZW.

(84) Designated States (unless otherwise indicated, for every kind of regional protection available): ARIPO (BW, GH, GM, KE, LS, MW, MZ, NA, SD, SL, SZ, TZ, UG, ZM, ZW), Eurasian (AM, AZ, BY, KG, KZ, MD, RU, TJ, TM), European (AT, BE, BG, CH, CY, CZ, DE, DK, EE, ES, FI, FR, GB, GR, HR, HU, IE, IS, IT, LT, LU, LV, MC, MK, MT, NL, NO, PL, PT, RO, SE, SI, SK, SM, TR), OAPI (BF, BJ, CF, CG, CI, CM, GA, GN, GQ, GW, ML, MR, NE, SN, TD, TG).

Published:

- with international search report (Art. 21(3))
- before the expiration of the time limit for amending the claims and to be republished in the event of receipt of amendments (Rule 48.2(h))

(88) Date of publication of the international search report:
12 May 2011

(54) Title: FLOATING FLUE

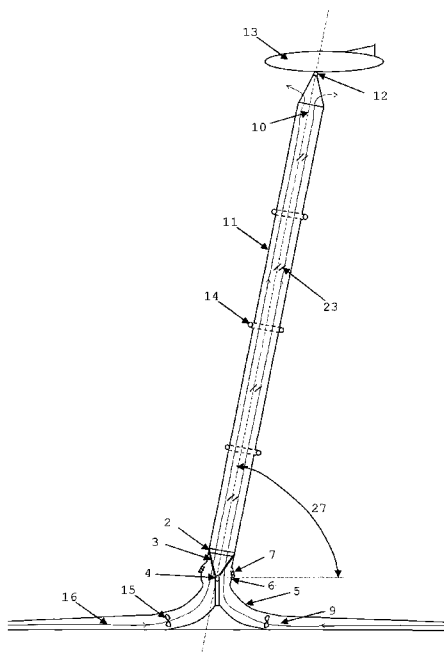


Fig. 2

(57) Abstract: The invention relates to a light floating flue consisting of a wall of fibre-reinforced film which rotates about its axis to balance the reduced pressure in the flue with the centrifugal force on the gases in the flue and with the flue wall. The flue floats due to the friction with the rising air, the upward force of the lighter gases, optionally a zeppelin and balloon-like bodies filled with helium or hydrogen. In order to prevent bending moments on the flue, the flue is attached to the base of the tower by means of a tiltable bearing.

WO 2010/101456 A3

INTERNATIONAL SEARCH REPORT

International application No
PCT/NL2010/000034

A. CLASSIFICATION OF SUBJECT MATTER
INV. F03D5/00
ADD.
According to International Patent Classification (IPC) or to both national classification and IPC

B. FIELDS SEARCHED
Minimum documentation searched (classification system followed by classification symbols)
F03D F03G F23J E04H

Documentation searched other than minimum documentation to the extent that such documents are included in the fields searched

Electronic data base consulted during the international search (name of data base and, where practical, search terms used)
EPO-Internal, WPI Data

C. DOCUMENTS CONSIDERED TO BE RELEVANT

Category*	Citation of document, with indication, where appropriate, of the relevant passages	Relevant to claim No.
A	WO 2004/036039 A1 (DE LUCA KENNETH A [AU]) 29 April 2004 (2004-04-29) page 12, line 20 - page 14, line 3 -----	1-10
A	US 5 194 754 A (MIKAMI TATUYA [JP]) 16 March 1993 (1993-03-16) column 1, line 25 - column 2, line 65; figures -----	1-10
A	DE 40 34 968 A1 (WERDING HANS J [DE]) 7 May 1992 (1992-05-07) the whole document -----	1-10
A	DE 39 18 764 A1 (KERN JOHANN [DE]) 10 January 1991 (1991-01-10) the whole document -----	1-10
	-/--	

Further documents are listed in the continuation of Box C.

See patent family annex.

* Special categories of cited documents :

- "A" document defining the general state of the art which is not considered to be of particular relevance
- "E" earlier document but published on or after the international filing date
- "L" document which may throw doubts on priority claim(s) or which is cited to establish the publication date of another citation or other special reason (as specified)
- "O" document referring to an oral disclosure, use, exhibition or other means
- "P" document published prior to the international filing date but later than the priority date claimed

- "T" later document published after the international filing date or priority date and not in conflict with the application but cited to understand the principle or theory underlying the invention
- "X" document of particular relevance; the claimed invention cannot be considered novel or cannot be considered to involve an inventive step when the document is taken alone
- "Y" document of particular relevance; the claimed invention cannot be considered to involve an inventive step when the document is combined with one or more other such documents, such combination being obvious to a person skilled in the art.
- "&" document member of the same patent family

Date of the actual completion of the international search 18 March 2011	Date of mailing of the international search report 31/03/2011
Name and mailing address of the ISA/ European Patent Office, P.B. 5818 Patentlaan 2 NL - 2280 HV Rijswijk Tel. (+31-70) 340-2040, Fax: (+31-70) 340-3016	Authorized officer Libeaut, Laurent

INTERNATIONAL SEARCH REPORT

International application No
PCT/NL2010/000034

C(Continuation). DOCUMENTS CONSIDERED TO BE RELEVANT		
Category*	Citation of document, with indication, where appropriate, of the relevant passages	Relevant to claim No.
A	WO 2008/148876 A2 (ICEC HOLDING AG [CH]; GROB GUSTAV R [CH]; ARBANAS VIKTOR [CH]) 11 December 2008 (2008-12-11) the whole document	1-10
A	----- NL 9 100 597 A (JOHANNES HERMANUS VAN BOEIJEN) 2 November 1992 (1992-11-02) the whole document -----	1-10

INTERNATIONAL SEARCH REPORT

Information on patent family members

International application No PCT/NL2010/000034

Patent document cited in search report		Publication date		Patent family member(s)	Publication date
WO 2004036039	A1	29-04-2004		NONE	
US 5194754	A	16-03-1993		CA 2053568 A1	27-04-1992
				EP 0482514 A1	29-04-1992
				JP 6221259 A	09-08-1994
DE 4034968	A1	07-05-1992		NONE	
DE 3918764	A1	10-01-1991		NONE	
WO 2008148876	A2	11-12-2008		EP 2000668 A1	10-12-2008
NL 9100597	A	02-11-1992		NONE	