

(19) World Intellectual Property Organization
International Bureau



(43) International Publication Date
8 August 2002 (08.08.2002)

PCT

(10) International Publication Number
WO 02/062079 A3

(51) International Patent Classification⁷: H04Q 3/00

(21) International Application Number: PCT/CA02/00093

(22) International Filing Date: 31 January 2002 (31.01.2002)

(25) Filing Language: English

(26) Publication Language: English

(30) Priority Data:
09/772,961 31 January 2001 (31.01.2001) US
10/058,274 30 January 2002 (30.01.2002) US

(71) Applicant: NHC COMMUNICATIONS, INC.
[CA/CA]; 5450 Cote de Liesse, Mount Royal, Québec
H4P 1A5 (CA).

(72) Inventor: TEIXEIRA, Joe; 5450 Cote de Liesse, Mount
Royal, Québec H4P 1A5 (CA).

(74) Agents: VAN ZANT, Joan M., et al.; OGLIVY RE-
NAULT, 1981 McGill College Avenue, Suite 1600,
Montreal, Ontario H3A 2Y3 (CA).

(81) Designated States (*national*): AE, AG, AL, AM, AT, AU,
AZ, BA, BB, BG, BR, BY, BZ, CA, CH, CN, CO, CR, CU,
CZ, DE, DK, DM, DZ, EC, EE, ES, FI, GB, GD, GE, GH,
GM, HR, HU, ID, IL, IN, IS, JP, KE, KG, KP, KR, KZ, LC,
LK, LR, LS, LT, LU, LV, MA, MD, MG, MK, MN, MW,
MX, MZ, NO, NZ, PH, PL, PT, RO, RU, SD, SE, SG, SI,
SK, SL, TJ, TM, TR, TT, TZ, UA, UG, UZ, VN, YU, ZA,
ZW.

(84) Designated States (*regional*): ARIPO patent (GH, GM,
KE, LS, MW, MZ, SD, SL, SZ, TZ, UG, ZW), Eurasian
patent (AM, AZ, BY, KG, KZ, MD, RU, TJ, TM), European
patent (AT, BE, CH, CY, DE, DK, ES, FI, FR, GB, GR, IE,
IT, LU, MC, NL, PT, SE, TR), OAPI patent (BF, BJ, CF,
CG, CI, CM, GA, GN, GQ, GW, ML, MR, NE, SN, TD,
TG).

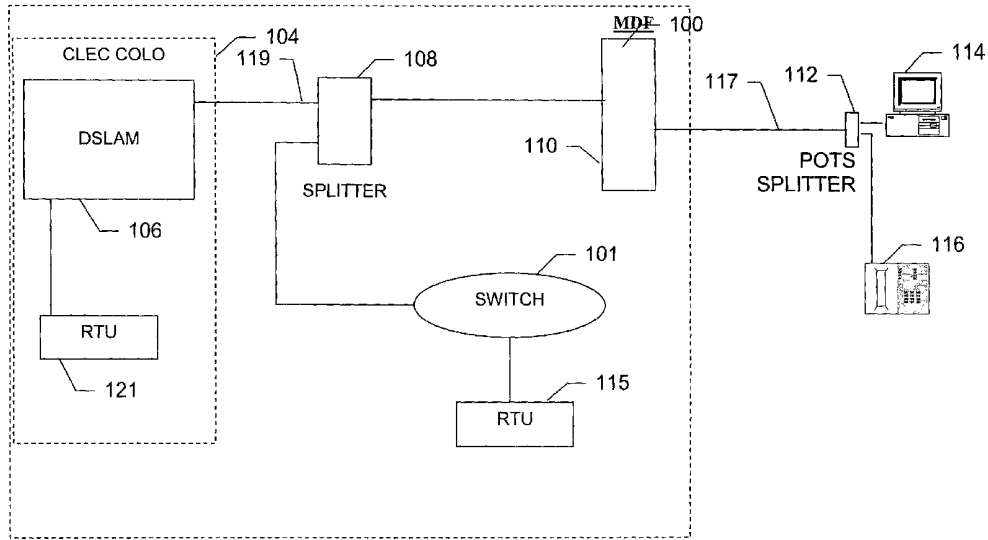
Published:

- with international search report
- before the expiration of the time limit for amending the claims and to be republished in the event of receipt of amendments

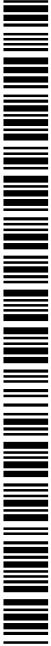
(88) Date of publication of the international search report:
10 October 2002

[Continued on next page]

(54) Title: CLEC TO CLEC SERVICE PROVISIONING



(57) Abstract: A system and method is deployed to automate the ILEC provisioning process within each central office, or other point of presence, location. The solution helps substantially reduce the effort required by the ILEC to fulfill collocation provisioning responsibilities, while at the same time speeding up the provisioning cycle time frame. It is deployed between the CLECs and outbound central office lines in order to automate CLEC service provisioning, ILEC service provisioning and CLEC to CLEC service provisioning thus allowing ILECs to conform with new and existing FCC regulations in an efficient and cost effective manner



WO 02/062079 A3



For two-letter codes and other abbreviations, refer to the "Guidance Notes on Codes and Abbreviations" appearing at the beginning of each regular issue of the PCT Gazette.

INTERNATIONAL SEARCH REPORT

International Application No

PCT/CA 02/00093

A. CLASSIFICATION OF SUBJECT MATTER
IPC 7 H04Q3/00

According to International Patent Classification (IPC) or to both national classification and IPC

B. FIELDS SEARCHED

Minimum documentation searched (classification system followed by classification symbols)

IPC 7 H04Q

Documentation searched other than minimum documentation to the extent that such documents are included in the fields searched

Electronic data base consulted during the international search (name of data base and, where practical, search terms used)

EPO-Internal, PAJ, INSPEC

C. DOCUMENTS CONSIDERED TO BE RELEVANT

Category *	Citation of document, with indication, where appropriate, of the relevant passages	Relevant to claim No.
P, X	WO 01 45452 A (ADC TELECOMMUNICATIONS INC) 21 June 2001 (2001-06-21) page 16, line 28 -page 20, line 23; figure 8 page 29, line 22 -page 30, line 24 -----	1-9

Further documents are listed in the continuation of box C.

Patent family members are listed in annex.

* Special categories of cited documents :

- *A* document defining the general state of the art which is not considered to be of particular relevance
- *E* earlier document but published on or after the international filing date
- *L* document which may throw doubts on priority claim(s) or which is cited to establish the publication date of another citation or other special reason (as specified)
- *O* document referring to an oral disclosure, use, exhibition or other means
- *P* document published prior to the international filing date but later than the priority date claimed

- *T* later document published after the international filing date or priority date and not in conflict with the application but cited to understand the principle or theory underlying the invention
- *X* document of particular relevance; the claimed invention cannot be considered novel or cannot be considered to involve an inventive step when the document is taken alone
- *Y* document of particular relevance; the claimed invention cannot be considered to involve an inventive step when the document is combined with one or more other such documents, such combination being obvious to a person skilled in the art.
- *G* document member of the same patent family

Date of the actual completion of the international search

9 August 2002

Date of mailing of the international search report

19/08/2002

Name and mailing address of the ISA
European Patent Office, P.B. 5818 Patentlaan 2
NL - 2280 HV Rijswijk
Tel. (+31-70) 340-2040, Tx. 31 651 epo nl,
Fax: (+31-70) 340-3016

Authorized officer

Brichau, G

INTERNATIONAL SEARCH REPORT

Information on patent family members

International Application No

PCT/CA 02/00093

Patent document cited in search report		Publication date		Patent family member(s)	Publication date
WO 0145452	A	21-06-2001	AU	2262001 A	25-06-2001
			WO	0145452 A2	21-06-2001
