

(19) World Intellectual Property Organization  
International Bureau



(43) International Publication Date  
20 August 2009 (20.08.2009)

(10) International Publication Number  
**WO 2009/102552 A3**

(51) International Patent Classification:  
*G06F 1/18* (2006.01) *H01M 10/00* (2006.01)  
*G06F 1/26* (2006.01) *H02J 7/00* (2006.01)

P.O. Box 8775, San Jose, California 95155 (US).  
**MICHALSKE, Steven Charles** [US/US]; 1575 Tenaka  
Place, Apartment Q-8, Sunnyvale, California 94087 (US).

(21) International Application Number:  
PCT/US2009/032145

(74) Agents: **HEMENWAY, Craig S.** et al.; Republic Plaza,  
Suite 4700, 370 Seventeenth Street, Denver, Colorado  
80202-5647 (US).

(22) International Filing Date:  
27 January 2009 (27.01.2009)

(81) Designated States (unless otherwise indicated, for every  
kind of national protection available): AE, AG, AL, AM,  
AO, AT, AU, AZ, BA, BB, BG, BH, BR, BW, BY, BZ,  
CA, CH, CN, CO, CR, CU, CZ, DE, DK, DM, DO, DZ,  
EC, EE, EG, ES, FI, GB, GD, GE, GH, GM, GT, HN,  
HR, HU, ID, IL, IN, IS, JP, KE, KG, KM, KN, KP, KR,  
KZ, LA, LC, LK, LR, LS, LT, LU, LY, MA, MD, ME,  
MG, MK, MN, MW, MX, MY, MZ, NA, NG, NI, NO,  
NZ, OM, PG, PH, PL, PT, RO, RS, RU, SC, SD, SE, SG,  
SK, SL, SM, ST, SV, SY, TJ, TM, TN, TR, TT, TZ, UA,  
UG, US, UZ, VC, VN, ZA, ZM, ZW.

(25) Filing Language: English

(26) Publication Language: English

(30) Priority Data:  
12/032,513 15 February 2008 (15.02.2008) US

(71) Applicant (for all designated States except US): **APPLE  
INC.** [US/US]; One Infinite Loop, M/S 3-PAT, Cupertino,  
California 95014 (US).

(72) Inventors; and

(75) Inventors/Applicants (for US only): **GREENING,  
Thomas Charles** [US/US]; 6534 Camden Avenue, San  
Jose, California 95120 (US). **ATHAS, William** [US/US];

(84) Designated States (unless otherwise indicated, for every  
kind of regional protection available): ARIPO (BW, GH,  
GM, KE, LS, MW, MZ, NA, SD, SL, SZ, TZ, UG, ZM,

[Continued on next page]

(54) Title: POWER SOURCE HAVING A PARALLEL CELL TOPOLOGY

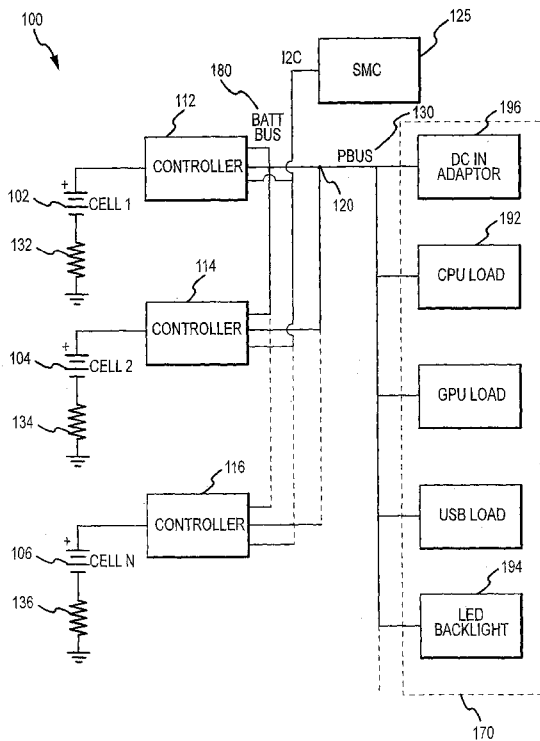


FIG. 1

(57) Abstract: A power source with multiple cells connected in parallel to a common node or power supply point. The individual cells within the power source may also have a dedicated controller for each of the individual cells such that the dedicated controllers are connected on a one to one basis with each of the respective individual cells.

WO 2009/102552 A3



ZW), Eurasian (AM, AZ, BY, KG, KZ, MD, RU, TJ, TM), European (AT, BE, BG, CH, CY, CZ, DE, DK, EE, ES, FI, FR, GB, GR, HR, HU, IE, IS, IT, LT, LU, LV, MC, MK, MT, NL, NO, PL, PT, RO, SE, SI, SK, TR), OAPI (BF, BJ, CF, CG, CI, CM, GA, GN, GQ, GW, ML, MR, NE, SN, TD, TG).

**Declarations under Rule 4.17:**

- as to the identity of the inventor (Rule 4.17(i))
- as to applicant's entitlement to apply for and be granted a patent (Rule 4.17(ii))

— as to the applicant's entitlement to claim the priority of the earlier application (Rule 4.17(iii))

**Published:**

- with international search report (Art. 21(3))
- before the expiration of the time limit for amending the claims and to be republished in the event of receipt of amendments (Rule 48.2(h))

**(88) Date of publication of the international search report:**

4 February 2010

**INTERNATIONAL SEARCH REPORT**

International application No  
PCT/US2009/032145

**A. CLASSIFICATION OF SUBJECT MATTER**  
 INV. G06F1/18 G06F1/26 H01M10/00 H02J7/00

According to International Patent Classification (IPC) or to both national classification and IPC

**B. FIELDS SEARCHED**  
 Minimum documentation searched (classification system followed by classification symbols)  
 G06F H01M H02J

Documentation searched other than minimum documentation to the extent that such documents are included in the fields searched

Electronic data base consulted during the international search (name of data base and, where practical, search terms used)  
 EPO-Internal

**C. DOCUMENTS CONSIDERED TO BE RELEVANT**

Category*	Citation of document, with indication, - where appropriate, of the relevant passages	Relevant to claim No.
X	US 2007/103114 A1 (HOFFMAN PETER F [US]) 10 May 2007 (2007-05-10) the whole document	1-22
A	US 2006/273768 A1 (CHEN TIEN-TZU [TW] ET AL) 7 December 2006 (2006-12-07) figure 1	1,2,12, 13,22

Further documents are listed in the continuation of Box C.  See patent family annex.

\* Special categories of cited documents :

"A" document defining the general state of the art which is not considered to be of particular relevance	"T" later document published after the international filing date or priority date and not in conflict with the application but cited to understand the principle or theory underlying the invention
"E" earlier document but published on or after the international filing date	"X" document of particular relevance; the claimed invention cannot be considered novel or cannot be considered to involve an inventive step when the document is taken alone
"L" document which may throw doubts on priority claim(s) or which is cited to establish the publication date of another citation or other special reason (as specified)	"Y" document of particular relevance; the claimed invention cannot be considered to involve an inventive step when the document is combined with one or more other such documents, such combination being obvious to a person skilled in the art.
"O" document referring to an oral disclosure, use, exhibition or other means	"&" document member of the same patent family
"P" document published prior to the international filing date but later than the priority date claimed	

Date of the actual completion of the international search <b>10 December 2009</b>	Date of mailing of the international search report <b>17/12/2009</b>
--	---

Name and mailing address of the ISA/ European Patent Office, P.B. 5818 Patentlaan 2 NL - 2280 HV Rijswijk Tel. (+31-70) 340-2040, Fax: (+31-70) 340-3016	Authorized officer <b>Leineweber, Hubert</b>
--	---

# INTERNATIONAL SEARCH REPORT

Information on patent family members

International application No

PCT/US2009/032145

Patent document cited in search report	Publication date	Patent family member(s)	Publication date
US 2007103114 A1	10-05-2007	WO 2007055998 A2	18-05-2007
US 2006273768 A1	07-12-2006	NONE	