

[54] RECESSED UNDERWATER LIGHT FOR BATHTUB

4,574,337 3/1986 Poppenheimer 362/267
4,644,450 2/1987 Caplin et al. 362/147

[75] Inventors: William L. Moeller, Allentown; Karl G. Ohaus, Chatham; Drew J. Yuhas, Pennington, all of N.J.

Primary Examiner—Susan J. Lucas
Attorney, Agent, or Firm—John P. Sinnott; Ann M. Knab

[73] Assignee: American Standard Inc., New York, N.Y.

[57] CLAIM

The ornamental design for a recessed underwater light for bathtub, as shown and described.

[**] Term: 14 Years

DESCRIPTION

[21] Appl. No.: 335,155

[22] Filed: Apr. 7, 1989

[52] U.S. Cl. D26/24; D26/74

[58] Field of Search 26/74, 24; 362/147, 362/362, 363, 404, 432, 96, 267, 364, 367, 293

FIG. 1 is a front, left side perspective view of a recessed underwater light for bathtub showing our new design; FIG. 2 is a front elevational view thereof on an enlarged scale;

FIG. 3 is a rear elevational view thereof on an enlarged scale;

FIG. 4 is a left side elevational view thereof on an enlarged scale, the right side being a mirror image;

FIG. 5 is a cross-sectional view thereof on an enlarged scale as taken along line 5—5 of FIG. 1;

FIG. 6 is an exploded perspective view thereof.

The interior lamp and mounting means are shown in broken lines for illustrative purposes only.

[56] References Cited

U.S. PATENT DOCUMENTS

D. 245,938	9/1977	Shaw	D26/24
D. 259,960	7/1981	Watson	D26/24
1,909,404	5/1933	Horn	362/147
4,433,366	2/1984	Wade	362/362 X

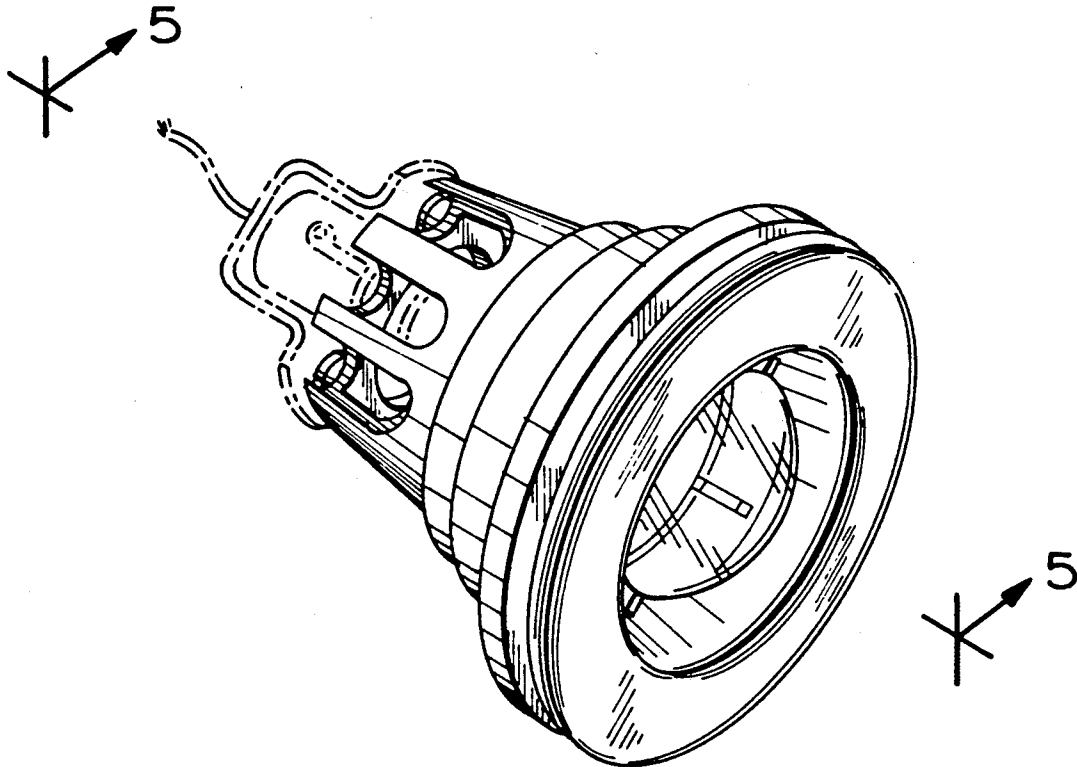


FIG. 1

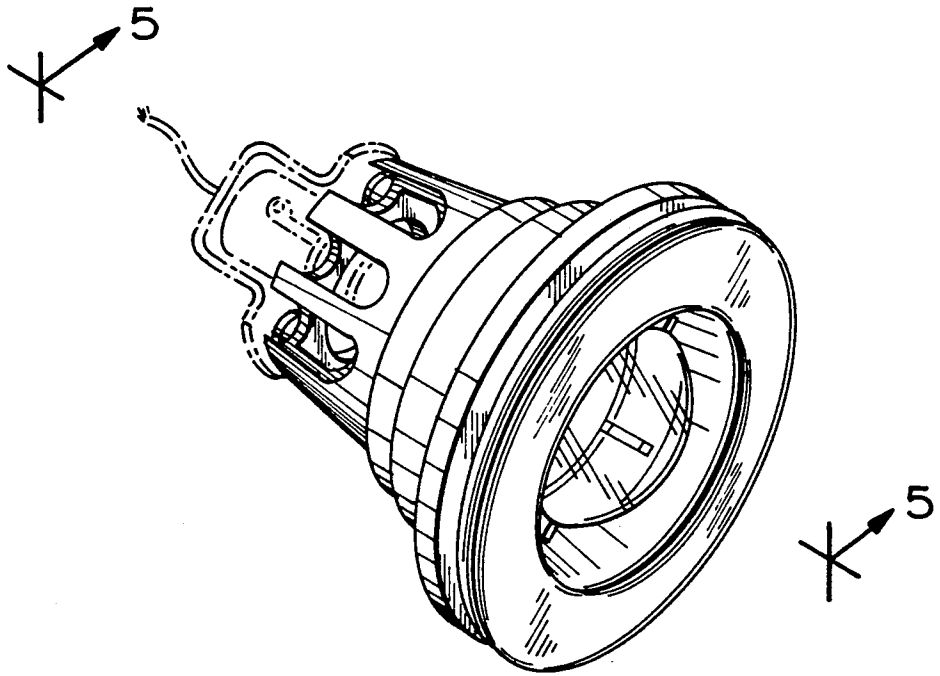


FIG. 4

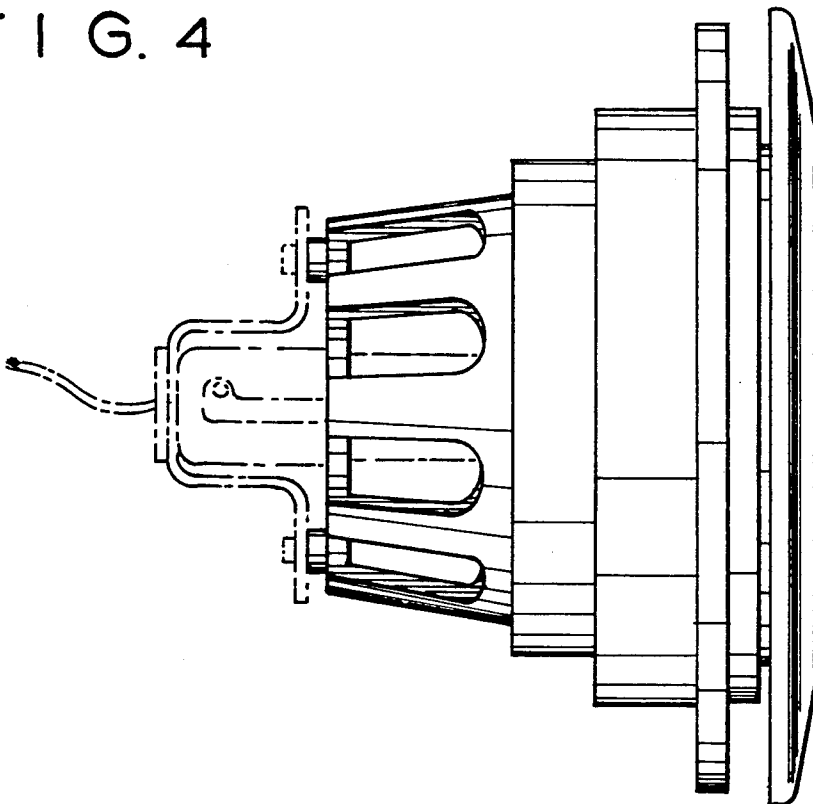


FIG. 2

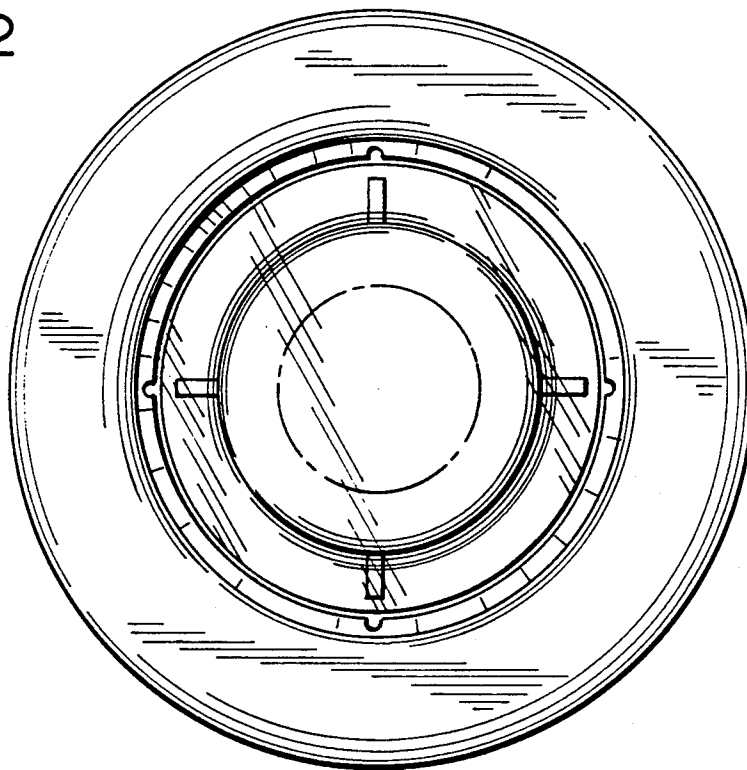
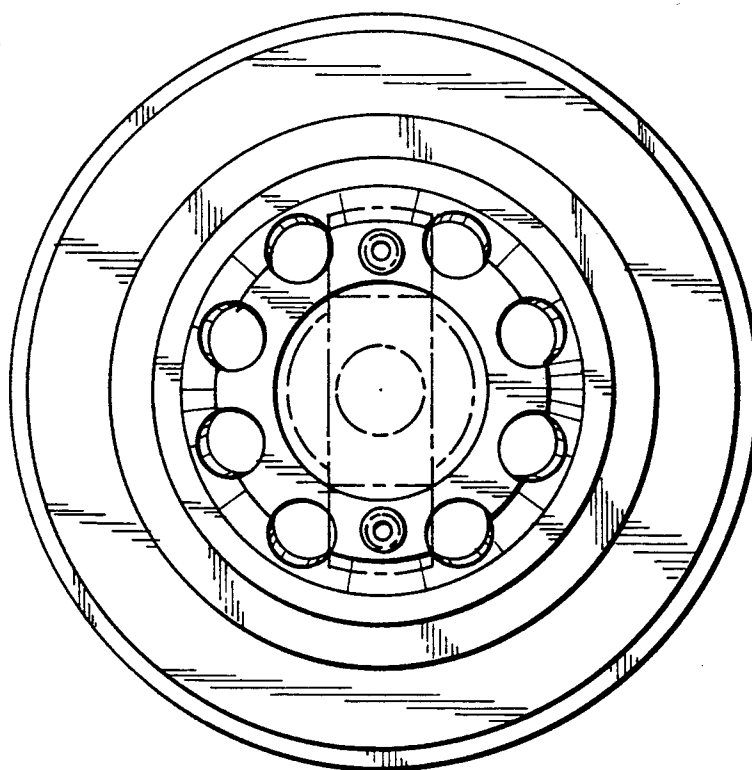


FIG. 3



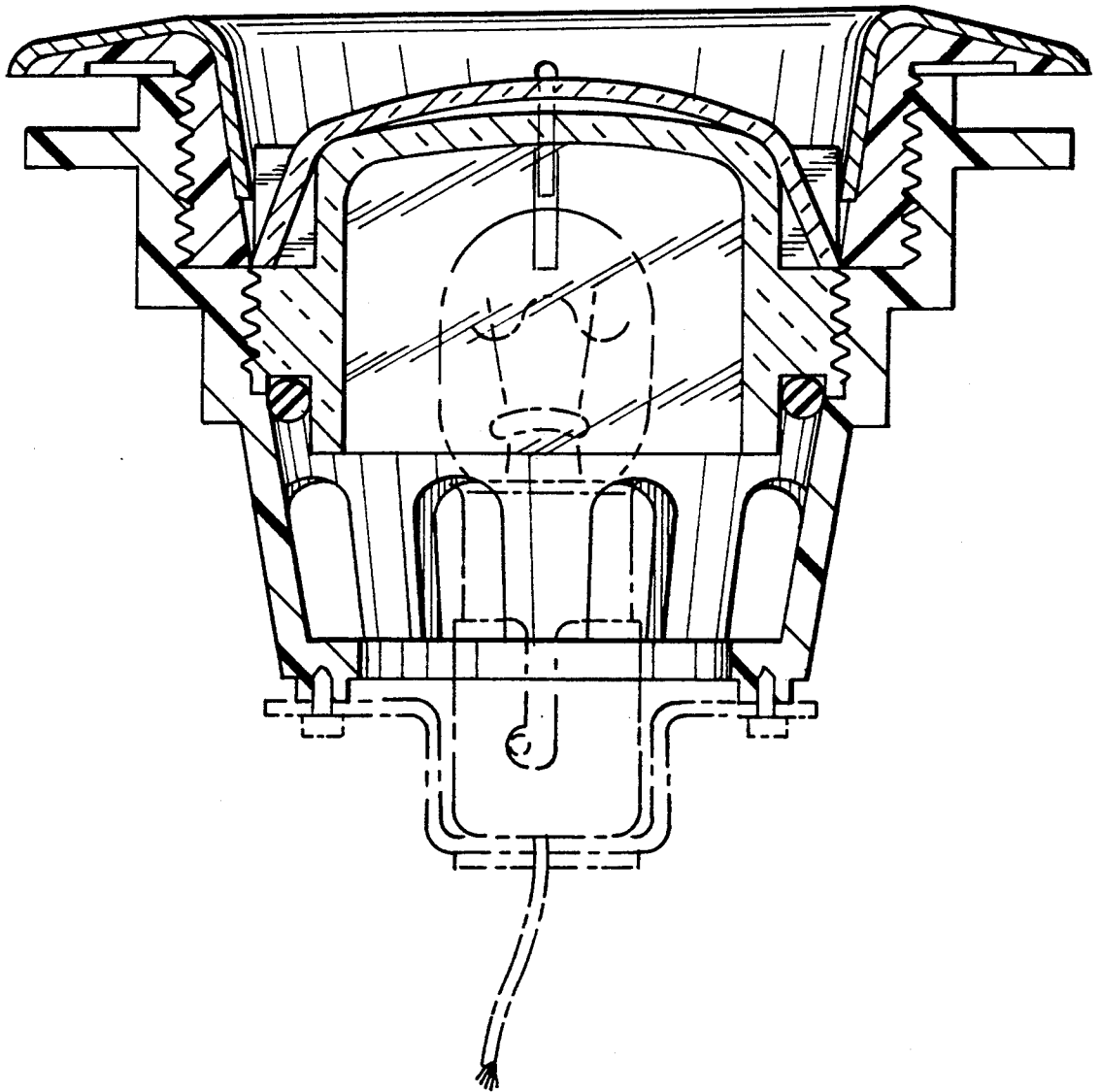


FIG. 5

FIG. 6

