



(12) **United States Design Patent**
Huang

(10) **Patent No.:** **US D1,083,151 S**
(45) **Date of Patent:** **** Jul. 8, 2025**

(54) **BUILDING BLOCK**
(71) Applicant: **Shenzhen BLACK TECH Co., Ltd.**,
Shenzhen (CN)

D987,732 S 5/2023 Lin
D1,033,681 S 7/2024 Mckrill
2016/0121234 A1* 5/2016 Shih A63H 33/08
446/85

(72) Inventor: **Lianwu Huang**, Guangdong (CN)
(**) Term: **15 Years**

FOREIGN PATENT DOCUMENTS

CN 308532565 * 3/2024
RU 00123161 * 12/2020

(21) Appl. No.: **29/968,734**

OTHER PUBLICATIONS

(22) Filed: **Oct. 18, 2024**
(51) **LOC (15) Cl.** **25-01**
(52) **U.S. Cl.**
USPC **D25/113**

Bristle Block. website, Stackadoos, Earliest Internet Web Archive date Dec. 3, 2021, Available on the internet URL <https://web.archive.org/web/20211203080124/https://mybtoys.com/shop/bristle-block-stackadoos/> (Year: 2021).*

(58) **Field of Classification Search**
USPC D25/103, 113, 114
CPC . E04C 1/00; E02D 17/205; E04B 5/08; E04B
1/8404; F27D 1/04; F27D 1/08; F27D
1/063; B28B 7/183; B28B 7/162; B28B
7/0073; E02B 3/14; F23M 5/02
See application file for complete search history.

(Continued)

Primary Examiner — Erich G Herbermann
Assistant Examiner — Andrew D Golson

(56) **References Cited**

CLAIM

(57) The ornamental design for a building block, as shown and described.

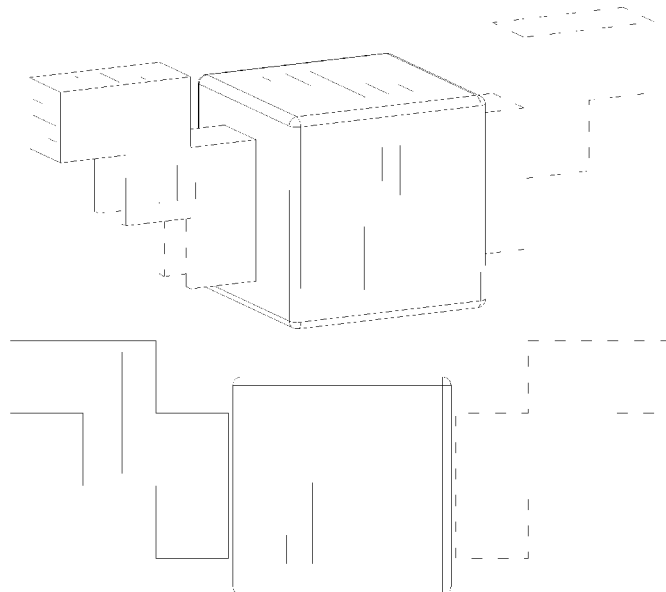
U.S. PATENT DOCUMENTS

DESCRIPTION

D198,129 S *	5/1964	Davis	D25/113
D358,818 S *	5/1995	Rozier	D14/214
D437,366 S *	2/2001	Stemmler	D21/499
D464,682 S *	10/2002	Lin	D21/499
D480,437 S *	10/2003	Stoneberg	D21/499
D490,483 S *	5/2004	Auberger	D21/499
D580,995 S *	11/2008	Chun	D21/499
D614,249 S *	4/2010	Pedersen	D21/499
D702,774 S *	4/2014	Wizenberg	D21/499
D795,360 S *	8/2017	Ahn	D21/499
D807,967 S *	1/2018	Kaplanali	D21/470
D973,914 S	12/2022	Fryfogle		
D973,915 S	12/2022	Fryfogle		
D982,096 S	3/2023	Andersen		
D983,890 S	4/2023	Andersen		
D984,677 S	4/2023	Gran		

FIG. 1 is a front, left, and top perspective view of a building block, showing my new design;
FIG. 2 is a rear, right, and bottom perspective view thereof;
FIG. 3 is a front elevational view thereof;
FIG. 4 is a rear elevational view thereof;
FIG. 5 is a left side elevational view thereof;
FIG. 6 is a right side elevational view thereof;
FIG. 7 is a top plan view thereof;
FIG. 8 is a bottom plan view thereof; and,
FIG. 9 is a perspective view thereof, illustrated in an alternate configuration.
The broken lines in the drawings depict portions of the building block that form no part of the claimed design.

1 Claim, 9 Drawing Sheets



(56)

References Cited

OTHER PUBLICATIONS

Soft Stacking Block. website, Amazon, Earliest Internet Web Archive date Apr. 20, 2022, Available on the internet URL <https://www.amazon.com/Litand-Stacking-Montessori-Sensory-Toddlers/dp/B07Y1V52BT/> (Year: 2022).*

* cited by examiner

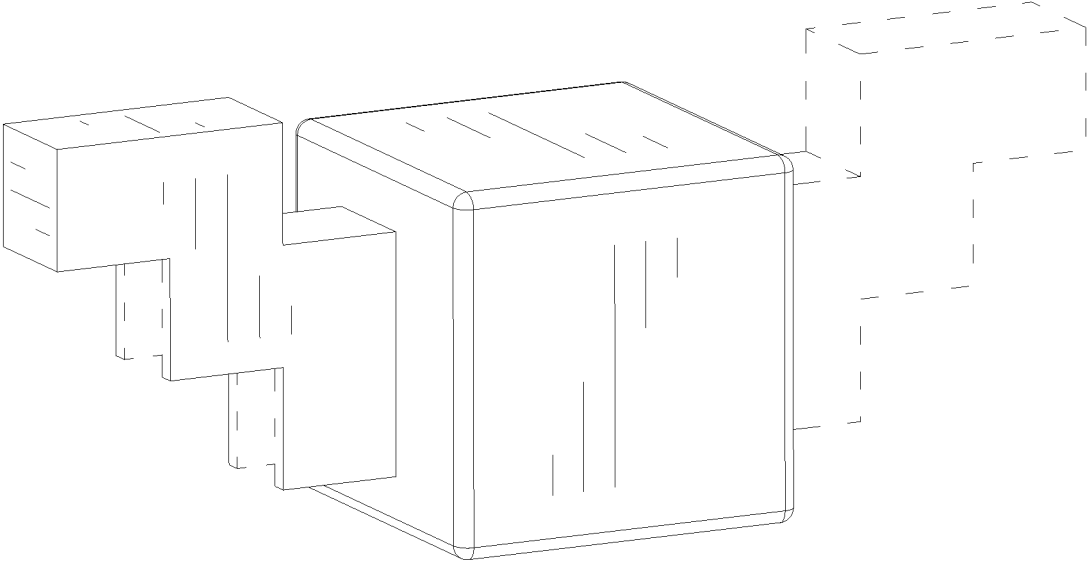


FIG. 1

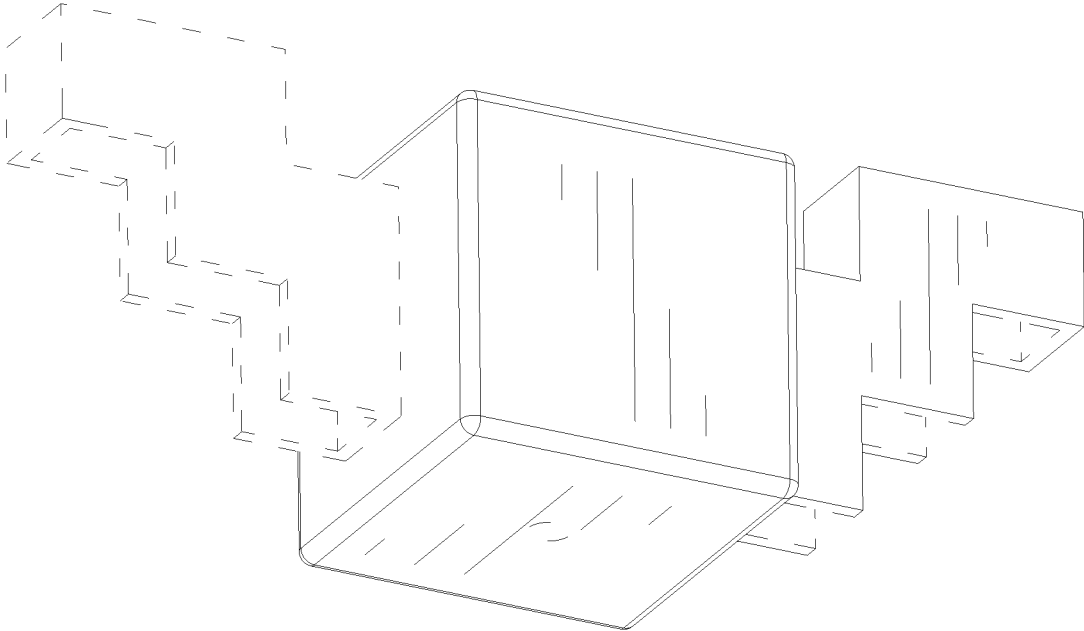


FIG. 2

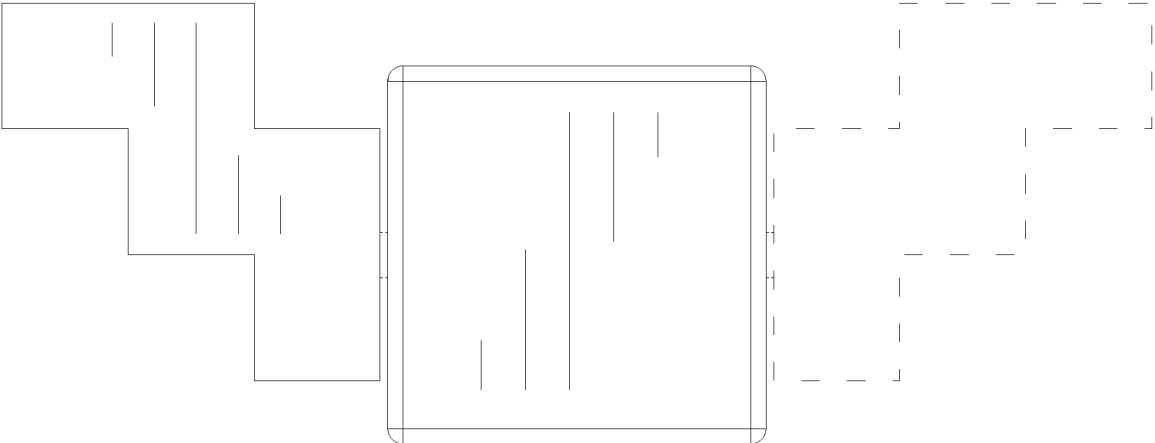


FIG. 3

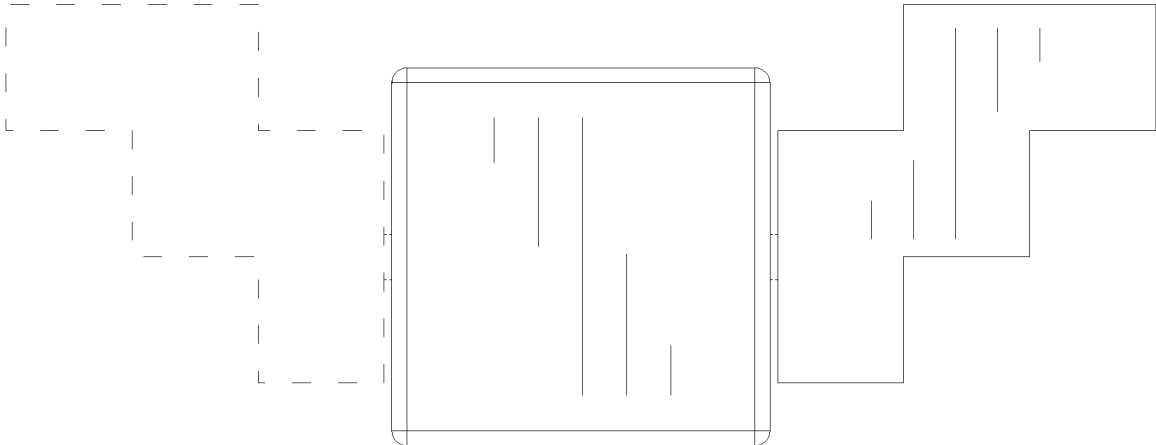


FIG. 4

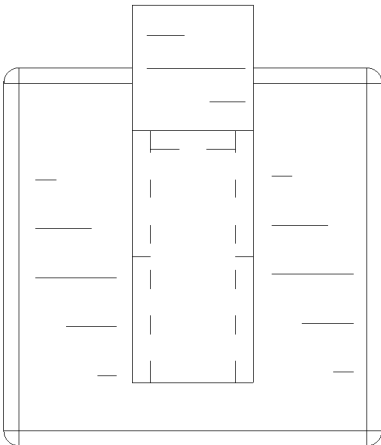


FIG. 5

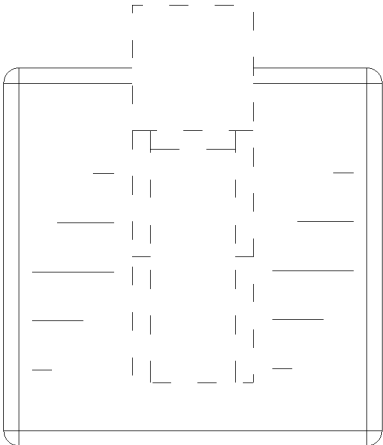


FIG. 6

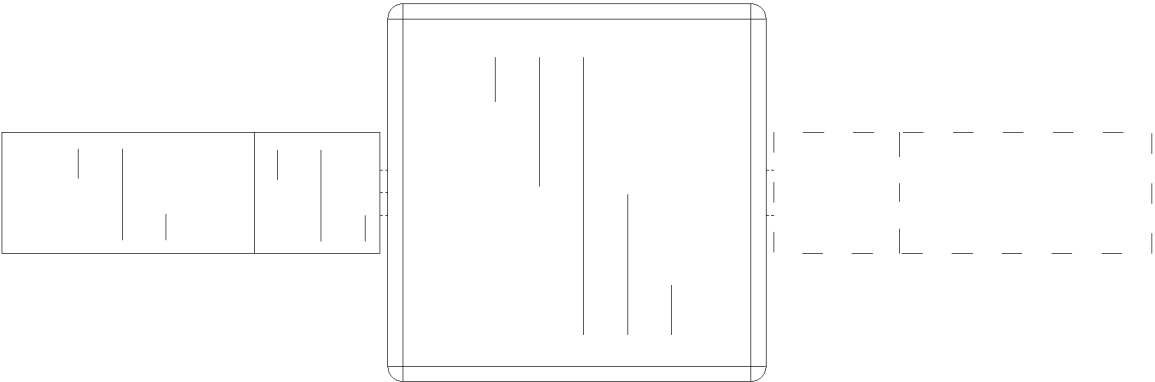


FIG. 7

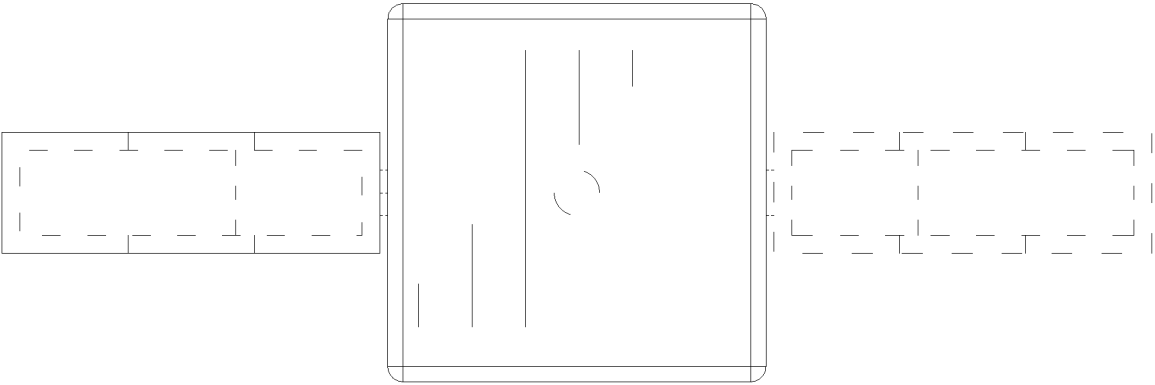


FIG. 8

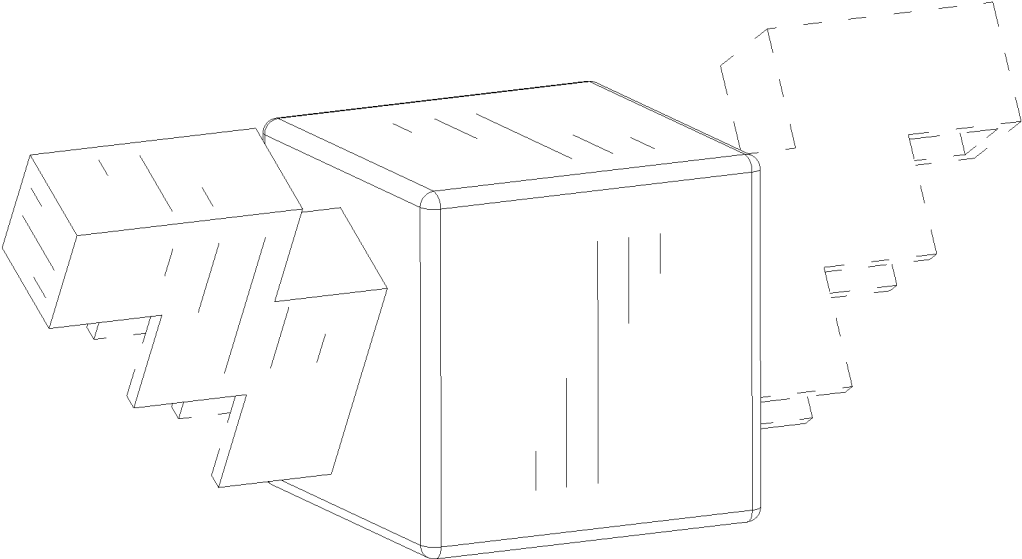


FIG. 9