



- (51) International Patent Classification:
G06F 19/00 (2011.01)
- (21) International Application Number:
PCT/IB2014/060646
- (22) International Filing Date:
11 April 2014 (11.04.2014)
- (25) Filing Language: English
- (26) Publication Language: English
- (30) Priority Data:
61/810,752 11 April 2013 (11.04.2013) US
- (71) Applicant (for DM only): **KONINKLIJKE PHILIPS N.V.** [NL/NL]; High Tech Campus 5, NL-5656 AE Eindhoven (NL).
- (71) Applicant: **PHILIPS MEDICAL SYSTEMS TECHNOLOGIES LTD** [IL/IL]; Matam Industrial Park, Building 3/1 325, 31 004 Haifa (IL).
- (72) Inventors: **QIAN, Yuechen**; c/o High Tech Campus 5, NL-5656 AE Eindhoven (NL). **RUBENS, Eran**; c/o High Tech Campus 5, NL-5656 AE Eindhoven (NL).
- (74) Agents: **STEFFEN, Thomas** et al.; High Tech Campus Building 5, NL-5656 AE Eindhoven (NL).

- (81) Designated States (unless otherwise indicated, for every kind of national protection available): AE, AG, AL, AM, AO, AT, AU, AZ, BA, BB, BG, BH, BN, BR, BW, BY, BZ, CA, CH, CL, CN, CO, CR, CU, CZ, DE, DK, DM, DO, DZ, EC, EE, EG, ES, FI, GB, GD, GE, GH, GM, GT, HN, HR, HU, ID, IL, IN, IR, IS, JP, KE, KG, KN, KP, KR, KZ, LA, LC, LK, LR, LS, LT, LU, LY, MA, MD, ME, MG, MK, MN, MW, MX, MY, MZ, NA, NG, NI, NO, NZ, OM, PA, PE, PG, PH, PL, PT, QA, RO, RS, RU, RW, SA, SC, SD, SE, SG, SK, SL, SM, ST, SV, SY, TH, TJ, TM, TN, TR, TT, TZ, UA, UG, US, UZ, VC, VN, ZA, ZM, ZW.
- (84) Designated States (unless otherwise indicated, for every kind of regional protection available): ARIPO (BW, GH, GM, KE, LR, LS, MW, MZ, NA, RW, SD, SL, SZ, TZ, UG, ZM, ZW), Eurasian (AM, AZ, BY, KG, KZ, RU, TJ, TM), European (AL, AT, BE, BG, CH, CY, CZ, DE, DK, EE, ES, FI, FR, GB, GR, HR, HU, IE, IS, IT, LT, LU, LV, MC, MK, MT, NL, NO, PL, PT, RO, RS, SE, SI, SK, SM, TR), OAPI (BF, BJ, CF, CG, CI, CM, GA, GN, GQ, GW, KM, ML, MR, NE, SN, TD, TG).

Published:

— with international search report (Art. 21(3))

- (88) Date of publication of the international search report:
29 January 2015

(54) Title: ENABLING A USER TO STUDY IMAGE DATA

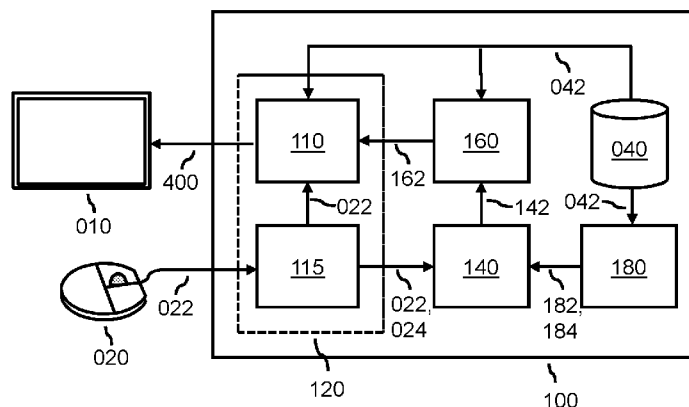
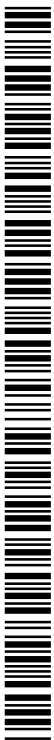


Fig. 1

(57) **Abstract:** A system (100) for enabling study of image data, comprising: - a user interface subsystem (120) for i) receiving navigation commands (022) from a user, and ii) displaying different views (400) of the image data (042) in response to the navigation commands for enabling the user to navigate through the image data; - a function execution subsystem (160) for executing individual ones of a plurality of system functions (500) to support the user in the study of the image data; and - a pattern analysis subsystem (140) for: j) obtaining, from the user interface subsystem, data (022) indicative of a display sequence of the different views during the navigating through the image data, jj) analyzing the data to determine a navigation pattern (631) of the user, and jjj) based on the navigation pattern, selecting one of the plurality of system functions for execution by the function execution subsystem.



INTERNATIONAL SEARCH REPORT

International application No
PCT/IB2014/060646

A. CLASSIFICATION OF SUBJECT MATTER
INV. G06F19/00
ADD.
According to International Patent Classification (IPC) or to both national classification and IPC

B. FIELDS SEARCHED
Minimum documentation searched (classification system followed by classification symbols)
G06F
Documentation searched other than minimum documentation to the extent that such documents are included in the fields searched

Electronic data base consulted during the international search (name of data base and, where practicable, search terms used)
EPO-Internal, WPI Data

C. DOCUMENTS CONSIDERED TO BE RELEVANT

Category*	Citation of document, with indication, where appropriate, of the relevant passages	Relevant to claim No.
X	US 2009/037840 A1 (CHEN YUANHSI TONY [US]) 5 February 2009 (2009-02-05) paragraph [0032] - paragraph [0033] paragraph [0036] - paragraph [0037] -----	1-15
A	WO 2007/020598 A2 (KONINKL PHILIPS ELECTRONICS NV [NL]; PHILIPS CORP [US]; HABETS RAYMOND) 22 February 2007 (2007-02-22) abstract page 4, paragraph 7 - page 5, paragraph 1 page 11, paragraph 2 ----- -/--	1-15

Further documents are listed in the continuation of Box C.

See patent family annex.

* Special categories of cited documents :

"A" document defining the general state of the art which is not considered to be of particular relevance	"T" later document published after the international filing date or priority date and not in conflict with the application but cited to understand the principle or theory underlying the invention
"E" earlier application or patent but published on or after the international filing date	"X" document of particular relevance; the claimed invention cannot be considered novel or cannot be considered to involve an inventive step when the document is taken alone
"L" document which may throw doubts on priority claim(s) or which is cited to establish the publication date of another citation or other special reason (as specified)	"Y" document of particular relevance; the claimed invention cannot be considered to involve an inventive step when the document is combined with one or more other such documents, such combination being obvious to a person skilled in the art
"O" document referring to an oral disclosure, use, exhibition or other means	"&" document member of the same patent family
"P" document published prior to the international filing date but later than the priority date claimed	

Date of the actual completion of the international search 21 October 2014	Date of mailing of the international search report 29/10/2014
--	--

Name and mailing address of the ISA/ European Patent Office, P.B. 5818 Patentlaan 2 NL - 2280 HV Rijswijk Tel. (+31-70) 340-2040, Fax: (+31-70) 340-3016	Authorized officer Filloy García, E
--	--

INTERNATIONAL SEARCH REPORT

International application No
PCT/IB2014/060646

C(Continuation). DOCUMENTS CONSIDERED TO BE RELEVANT		
Category*	Citation of document, with indication, where appropriate, of the relevant passages	Relevant to claim No.
A	<p>WO 2007/050962 A2 (REINER BRUCE [US]) 3 May 2007 (2007-05-03) cited in the application abstract paragraph [0029] - paragraph [0031] paragraph [0094] paragraph [0106] paragraph [0113]</p> <p style="text-align: center;">-----</p>	1-15
A	<p>WO 2012/052887 A1 (KONINKL PHILIPS ELECTRONICS NV [NL]; PHILIPS INTELLECTUAL PROPERTY [DE] 26 April 2012 (2012-04-26) the whole document</p> <p style="text-align: center;">-----</p>	1-15

INTERNATIONAL SEARCH REPORT

Information on patent family members

International application No

PCT/IB2014/060646

Patent document cited in search report	Publication date	Publication date	Patent family member(s)	Publication date
US 2009037840	A1	05-02-2009	NONE	

WO 2007020598	A2	22-02-2007	CN 101243475 A	13-08-2008
			EP 1917645 A2	07-05-2008
			JP 5123182 B2	16-01-2013
			JP 2009505269 A	05-02-2009
			US 2008232661 A1	25-09-2008
			WO 2007020598 A2	22-02-2007

WO 2007050962	A2	03-05-2007	NONE	

WO 2012052887	A1	26-04-2012	CN 103201767 A	10-07-2013
			EP 2630634 A1	28-08-2013
			JP 2013544559 A	19-12-2013
			US 2013205247 A1	08-08-2013
			WO 2012052887 A1	26-04-2012
