

(19) World Intellectual Property Organization
International Bureau



(43) International Publication Date
27 February 2003 (27.02.2003)

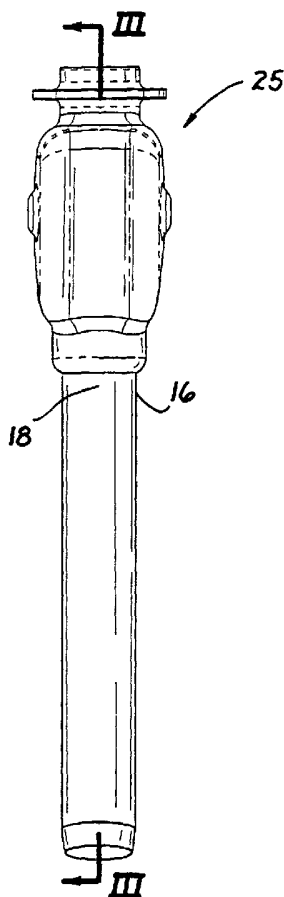
PCT

(10) International Publication Number
WO 03/015848 A1

- (51) International Patent Classification⁷: **A61M 5/00** [US/US]; 27851 Encanto, Mission Viejo, CA 92692 (US).
KAHLE, Henry [US/US]; 25 Wrangler Court, Trabuco Canyon, CA 92679 (US).
- (21) International Application Number: PCT/US02/15696
- (22) International Filing Date: 14 May 2002 (14.05.2002)
- (25) Filing Language: English
- (26) Publication Language: English
- (30) Priority Data: 60/312,683 14 August 2001 (14.08.2001) US
- (71) Applicant (for all designated States except US): **APPLIED MEDICAL RESOURCES CORPORATION** [US/US]; 22872 Avenida Empresa, Rancho Santa Margarita, CA 92688 (US).
- (72) Inventors; and
- (75) Inventors/Applicants (for US only): **TAYLOR, Scott**
- (74) Agent: **MYERS, Richard, L.**; 22872 Avenida Empresa, Rancho Santa Margarita, CA 92688 (US).
- (81) Designated States (national): CA, JP, US.
- (84) Designated States (regional): European patent (AT, BE, CH, CY, DE, DK, ES, FI, FR, GB, GR, IE, IT, LU, MC, NL, PT, SE, TR).
- Published:**
- with international search report
 - before the expiration of the time limit for amending the claims and to be republished in the event of receipt of amendments

[Continued on next page]

(54) Title: ACCESS SEALING APPARATUS AND METHOD



(57) Abstract: A surgical access device includes a seal housing (25) and a roller (38, 41) disposed in the housing (25) and defining a working channel (27). The roller (38, 41) may be stationary or moveable within the seal housing (25) to form both a zero seal (76) in the absence of an instrument, and an instrument seal (78) in the presence of an instrument. Rotation of the roller (41, 38) is contemplated and low-friction surfaces are discussed to reduce instrument insertion forces. Multiple rollers, wiper elements, low-friction braid, pivoting elements and idler rollers are contemplated. The rollers will typically be formed of a gel material in order to facilitate the desired compliance, stretchability and elongation desired.



WO 03/015848 A1



For two-letter codes and other abbreviations, refer to the "Guidance Notes on Codes and Abbreviations" appearing at the beginning of each regular issue of the PCT Gazette.

ACCESS SEALING APPARATUS AND METHOD

5

Background of the Invention

Field of the Invention

This invention relates generally to access sealing devices and more specifically to surgical devices and methods providing a working channel for the insertion of instrumentation across a body wall and into a body cavity.

Discussion of the Relevant Art

Access devices in general are disposed relative to a conduit and are adapted to provide input to a flow of fluid through the conduit. The device will typically include a valve assembly which controls passage of the fluid in either a liquid state or a gas state. Such access devices might be adapted for use with fluids such as foods, oils, and grease, for example.

Devices of particular interest include surgical access devices which are commonly used to form a passage way across a body wall and into a body conduit or other body cavity.

This passageway enables a surgeon operating exteriorly of the body to perform surgical operations within the body cavity by manipulating instruments through the passageway. These instruments might include scopes, needles, graspers, clamps, staplers, sutures, and cutters, for example.

Of course the passageway, more commonly referred to as a working channel, also provides a path for fluids to exit the body from the body cavity. In order to inhibit this leakage of fluids, some access devices are provided with valves which can seal the working channel both in the absence of an instrument and in the presence of an instrument.

The sealing of the working channel is of particular importance in the case of laparoscopic surgeries where the abdominal cavity is inflated with an insufflation gas in order to distend the abdominal wall and thereby increase the size of the working environment. Trocars are commonly used as access devices for this type of surgery. The trocars include a cannula and a seal housing containing one or more valves which facilitate instrument access while inhibiting leakage of the insufflation gas.

In the past, trocar valves have typically included at least one zero valve intended to form a zero seal in the absence of an instrument, and at least one instrument valve intended to form an instrument seal in the presence of an instrument. Zero seals have typically been formed by duckbill seals which are incapable of also functioning as an instrument seal. The instrument seals have typically been formed by septum valves, having a hole or opening which is radially stretchable to some limited extent. With the limited stretchability of the septum valves, the trocars of the past have been able to accommodate only a small range of instrument diameters.

Due to this limited accommodation of instrument sizes, different trocars have been required in order to accommodate a full range of instrument sizes from almost zero mm to 12 mm. In some cases a smaller trocar would be used initially only to find that a larger instrument was required. In these instances, the smaller trocar had to be completely removed in order to inset a larger trocar to accommodate the larger instrument. As a result, a whole set of trocars, each having a different septum valve were required. Eventually, single trocars were provided having multiple septum valves of different sizes, along with a zero valve for each of the septum valves. Of course these instruments were much more complex and expensive.

In the past, septum valves were positioned along the axis of the working channel. However, it was observed that instrument seals would tend to leak if the instrument was moved off-axis. Accordingly, septum valves were provided with floating characteristics whereby the seal interface could be maintained even if the instrument

was positioned off-axis. Of course, this floating of the septum seal required special structure which increased the cost of manufacture.

Septum valves have also been highly susceptible to tearing, particularly by instruments having sharp points. Elaborate guiding and protection mechanisms were provided to protect the septum seals against this type of instrument. Again, the sophisticated protection structures significantly increased the complexity of the device and the resulting cost of manufacture.

Summary of the Invention

These deficiencies of the past are overcome with the present invention which includes a seal material in the form of a gel. The gel is highly compliant and stretchable. As a result of these properties, a single valve can function not only as a zero seal, but also as an instrument seal capable of accommodating the full range of instrument sizes. The increased compliance and stretchability of the gel material easily accommodates instruments which are moved off-axis, so no additional floating structure is required.

In a preferred embodiment, the valve is provided in the form of a roller having an axle supported by the seal housing. The valve can be rotatable on an axle having a fixed relationship with the seal housing or the valve can be rotatable with the axle relative to the seal housing.

In one aspect of the invention, a trocar is adapted to provide access for a surgical instrument through a body wall and into a body cavity. The trocar includes a cannula having a proximal end and a distal end, and a seal housing disposed at the proximal end of the cannula and defining with the cannula a working channel. A seal assembly is disposed within the housing and includes at least one roller, having an axis supported by the seal housing. The roller has properties for forming a zero seal in the absence of the instrument, and an instrument seal in the presence of the instrument.

In another aspect of the invention, a surgical combination includes an instrument having a diameter of at least five millimeters, and an access device adapted to facilitate disposition of the instrument across the body wall. A cannula is included in the access device along with a seal housing which forms a working channel with the
5 cannula. A seal assembly is disposed in the housing and includes a roller sized and configured to form a zero seal in the absence of the instrument and an instrument seal in the presence of the instrument.

In an additional aspect of the invention, a trocar assembly includes a
10 cannula having a proximal end and a distal end, a seal housing is disposed at the proximal end of the cannula and forms a working channel with the cannula. A roller is disposed in the seal housing and is pivotal on an axis. A resilient material included in the roller has properties susceptible to tearing in response to an instrument inserted into the working channel. The roller is moveable by the inserted instrument to pivot the resilient material relative to the axis and thereby inhibit tearing of the resilient material.

15 In a further aspect of the invention, the trocar assembly includes a roller having an outer surface pivotal on an axis and disposed in proximity to an inner surface of the seal housing. At least one wiper is disposed between the outer surface of the roller and the inner surface of the housing.

In an additional aspect of the invention, the trocar assembly includes a
20 roller having an axle supported by the seal housing. The roller has properties for forming an instrument seal when the instrument is inserted into the working channel. A resilient material defines an outer surface of the roller, and portions of one of the resilient material and the axle define at least one void.

25 In another aspect of the invention, the trocar assembly includes a roller having a resilient outer surface and an axle for pivoting the outer surface relative to the inner surface of the seal housing. Portions of the inner surface of the seal housing define at least one recess configured and arranged to receive the axle.

The trocar assembly in a further aspect of the invention includes a valve disposed in the valve housing and formed of a compliant material. The valve has properties for forming a zero seal across the working channel in the absence of the instrument and an instrument seal across the working channel in the presence of the instrument. The instrument seal has a diameter in radial cross-section ranging from a lower limit of about zero millimeters to an upper limit in a range between about six millimeters and about 12 millimeters.

In still a further aspect of the invention, a trocar assembly includes a valve disclosed in the valve housing. The valve is moveable within the valve housing between a first position wherein the valve has first compression characteristics relative to the instrument, and a second position wherein the valve has second compression characteristics relative to the instrument. The housing includes a pair of opposing walls which diverge between the first position and the second position. The housing in axial cross-section has a triangular or trapezoidal configuration.

These and other features and advantages of the invention will become more apparent with a discussion of preferred embodiments in reference to the associated drawings.

Description of the Drawings

FIG. 1 is a perspective view showing a laparoscopic surgery with a surgical instrument in the form of a grasper inserted through a working channel of a trocar of the present invention;

FIG. 2 is a side elevation view of the trocar illustrated in FIG. 1;

FIG. 3 is an axial cross-section view taken along lines III-III of FIG. 2;

FIG. 4A is a radial cross-section view taken along lines IVA-IVA of FIG. 3;

FIG. 4B is an axial cross section view taken along lines IVB-IVB of FIG.

4A;

FIG. 5 is a cross-section view similar to FIG. 3 and illustrating a pair of low-friction washers in another embodiment of the invention;

FIG. 6 is a perspective view of a gel roller adapted for use in the trocar of FIG. 1;

5 FIG. 7 is an axial cross-section view taken along lines VII-VII of FIG. 6;

FIG. 8 is an axial cross-section view similar to FIG. 3 with the rollers removed to show axle recesses;

FIG. 9 is an axial cross-section view similar to FIG. 8 and showing axle recesses with an oblong, vertical orientation;

10 FIG. 10 is an axial cross-section view similar to FIG. 8 and illustrating a pair of rollers each with axles oblong in cross-section;

FIG. 11 is an axial cross-section view similar to FIG. 8 and illustrating rollers with a pair of axially oriented in-line axles;

15 FIG. 12 is an axial cross-section view similar to FIG. 8 and showing in-line axles with a radial orientation;

FIG. 13A is an axial cross-section view similar to FIG. 8 and illustrating rollers with oblong axles pivotal with respect to the working channel of the trocar;

FIG. 13B is a cross-section view taken along lines XIII B-XIII B of FIG. 13A;;

20 FIG. 14 is an axial cross-section view similar to FIG. 8 and illustrating rollers with radially-spaced axles;

FIG. 15A is an axial cross-section view similar to FIG. 8 and illustrating a convex protrusion disposed between axle recesses;

FIG. 15B is a cross-section view taken along lines XV B-XV B of FIG. 15A;

25 FIG. 16 is an axial cross-section view similar to FIG. 7 and illustrating a roller with an axis and an axle having a spring configuration;

FIG. 17 is an axial cross-section view similar to FIG. 16 and illustrating an axle with an irregular outer surface forming a concave annulus;

FIG. 18 is an axial cross-section view similar to FIG. 17 wherein the irregular surface on the axle comprises at least one convex annulus;

FIG. 19 is a cross-section view similar to FIG. 17 wherein the irregular surface is formed by rotating at least one straight line about the axis;

5 FIG. 20 is an axial cross-section view similar to FIG. 17, wherein the irregular surface of the axle is formed with both concave and convex surfaces, and the gel roller is formed with a circumferential slit which extend radially to the axle;

FIG. 21 is a cross-section view similar to FIG. 20 wherein the circumferential slits are terminated short of the axle;

10 FIG. 22 is an axial cross-section view wherein the gel roller has a circumferential groove;

FIG. 23 is an axial cross-section view similar to FIG. 3 wherein the gel of the rollers is formed with multiple voids;

15 FIG. 24 is an axial cross-section view similar to FIG. 17 wherein the axle includes holes configured to receive a portion of the gel material forming the roller;;

FIG. 25 is an axial cross-section view similar to FIG. 24 wherein the rollers are formed without axles;

FIG. 26 is an axial cross-section view similar to FIG. 24 wherein the rollers in the radial cross-section have the shape of a star;

20 FIG. 27 is an axial cross-section view similar to FIG. 24 wherein the rollers are formed as inflated bladders;

FIG. 28 is an axial cross-section view similar to FIG. 3 wherein the rollers are provided with wiper elements;

25 FIG. 29 is an axial cross-section view similar to FIG. 28 wherein the seal housing is provided with wiper elements;

FIG. 30 is an axial cross-section view similar to FIG. 29 wherein the wiper elements of the housing form a reservoir;

FIG. 31 is an axial cross-section view similar to FIG. 29 wherein the housing wiper elements define a portion of the working channel;

FIG. 32 is an axial cross-section view similar to FIG. 31 wherein the housing wiper elements define the working channel both proximally and distally of the rollers.

FIG. 33 an axial cross-section view similar to FIG. 3 with four rollers forming multiple reservoirs;

FIG. 34-35 illustrate an embodiment wherein the rollers are positioned radially and are pivotal on a floating ring axle;

FIG. 34 is an axial cross-section view similar to FIG. 3 and showing two of the radially positioned rollers;

FIG. 35 is a radial cross-section view of the radially spaced roller seals taken along lines XXXV -XXXV of FIG. 34;

FIG. 36 is an axial cross-section view showing the roller with a toroidal configuration;

FIG. 37 is a cross-section view of the toroidal roller taken along lines XXXVII-XXXVII of FIG. 36;

FIG. 38 is an axial cross-section view of an additional embodiment including idler rollers;

FIG. 39 is an axial cross-section view similar to FIG. 3 wherein the axles of the rollers are pivotal relative to the housing;

FIG. 40 is an axial cross-section view similar to FIG. 3 and including three rollers defining two working channels;

FIG. 41 is an axial cross-section view similar to FIG. 3 wherein a single roller forms a zero seal with a wall of the housing;

FIG. 42 is an axial cross-section view similar to FIG. 3 wherein the seals in the housing are formed by non-rotatable elements;

FIG. 43 is an axial cross-section view similar to FIG. 3 wherein the zero seal in the housing is facilitated with a spring-biased roller;

FIG. 44 is an axial cross-section view similar to FIG. 31 with a single roller pivotal relative on the housing;

5 FIG. 45 is an axial cross-section view similar to FIG. 44 and including two opposing rollers pivotal on the housing;

FIG. 46 is an axial cross-section view similar to FIG. 3 including pivoting levers which extend from the seal housing to engage the roller;

10 FIG. 47 is an axial cross-section view similar to FIG. 3 wherein the working channel through the seal housing is lined with a tubular braid;

FIG. 48 is an axial cross-section view similar to FIG. 3 wherein the rollers are covered with braid or fabric sleeves;

FIGS. 49-50 illustrate a roller valve in a seal housing adapted for use to facilitate fluid flow from an inlet to an outlet of the housing;

15 FIG. 49 is an axial cross-section view showing the rollers engaging each other in the seal housing in response to fluid back pressure;

FIG. 50 is an axial cross-section view similar to FIG. 49 showing deformation of the seals to create a fluid passageway in response to fluid forward pressure;

20 FIG. 51 is an axial cross-section view of a further embodiment wherein rollers are combined with a circumferential balloon element to form a catheter adapted for use within a body conduit;

FIG. 52 is an axial cross-section view of a catheter having rollers at its distal end;

25 FIG. 53 is an axial cross-section view of an embodiment including a shaft and a pair of rollers moveable within the shaft to form an instrument seal with a suture;

FIGS 54-55 illustrate an embodiment similar to that of FIG. 35 wherein the rollers are disposed in an associated quadrant of the seal housing;

FIG. 54 is an axial cross-section view similar to FIG. 34;

FIG. 55 is a cross-section view of the rollers seals taken along lines LV-LV of FIG. 54;

FIG. 56 is a perspective view of an embodiment wherein the seal housing has a triangular or trapezoidal configuration with a narrow proximal end and a wide distal end;

FIG. 57 is a perspective view similar to FIG. 56 showing seal elements at the proximal end of the housing in response to insertion of a small instrument;

FIG. 58 is a perspective view similar to FIG. 57 illustrating the seal elements stretched toward a distal end of the housing in response to insertion of a large instrument;

FIG. 59 is a top plan view of the seal housing in FIG. 56;

FIG. 60 is a top plan view of the seal housing in FIG. 57;

FIG. 61 is a top plan view of the seal housing in FIG. 58; and

FIG. 62 is a top plan view similar to FIG. 59 and illustrating rolling endless loops of low-friction material disposed between the seal elements and the sidewalls of the housing.

Description of Preferred Embodiments
and Best Mode of the Invention

20

A trocar is illustrated in Figure 1 and designated by the reference numeral 10. The trocar 10 is operatively disposed to provide access across a body wall, such as the abdominal wall 12, and into a body conduit or cavity, such as the abdominal cavity 14. In this case, the trocar 10 is representative of any access device which extends across a body wall to provide access into a body conduit or cavity. The access device may facilitate a flow of fluids, either gas or liquid, into or out of the conduit or cavity 14. Alternatively, the access device may accommodate a surgical instrument, such as a

25

needle, which can be inserted through the access device and into the body conduit or cavity 14.

In the illustrated embodiment, the trocar 10 includes a cannula 16 which extends along an axis 18 between a proximal end 21 and a distal end 23. A seal housing 25 is disposed at one of the proximal end 21 and the distal end 23 of the
5 cannula 16, and forms with the cannula 16, an access or working channel 27. This working channel is sized and configured to receive a surgical instrument 30, such as a grasper, which will typically include an elongate tube or shaft 32 having a maximum dimension or diameter, shown by arrows 34.

In this case, the grasper or instrument 30 is representative of any surgical
10 instrument or device which might be inserted through the working channel 27 of the trocar 10 and into the body cavity, such as the abdominal cavity 14. Other instruments may be as small as a suture (not shown) which might have a diameter less than one millimeter, as well as scopes, cutters, clip applicators, clamps and even staplers, which
15 might have a diameter as large as 12 millimeters.

In general, it may be desirable that the access device, such as the trocar 10, have properties for inhibiting the egress of fluids outwardly through the working channel 27. This is particularly important in the case of laparoscopic surgeries where the abdominal cavity 14 is typically inflated with a gas in order to elevate the abdominal
20 wall 12 and thereby increase the volume of the working environment. The sealing of the working channel 27 is of course complicated by the desire to introduce instruments, such as the grasper, along the working channel 27. Not only is sealing of the working channel 27 desired in the absence of the instrument 30, but it is also desired when the instrument 30 is operatively disposed as illustrated in Figure 1.

A seal assembly 36 of the present invention is illustrated in the axial
25 cross- section view of Figure 3. This seal assembly includes two rollers 38 and 41, having axles 43 and 45, respectively. The rollers 38 and 41 are rotatable on respective axes and relative to an inner surface 47 of the seal housing 25. The axles 43 and 45

may be rotatable with the respective rollers 38 and 41 relative to the housing 25, or may be fixed to the seal housing 25 in which case the rollers 38 and 41 also rotate relative to their respective axes 43 and 45.

In the embodiment of Figure 3, the rollers 38 and 41 each have a
5 cylindrical outer surface as well as a pair of end surfaces. For example, the roller 38 has a cylindrical outer surface 50 best illustrated in Figure 3, as well as a pair of end surfaces 52 and 54, best illustrated in Figure 4A. The roller 41 is similarly constructed with a cylindrical outer surface 56 and a pair of end surfaces 58 and 61.

In order to form the desired seals across the working channel 27, it is
10 important that the rollers 38 and 41 form each lateral seals and end seals with the inner surface 47 of housing 25. Thus, in a preferred embodiment, lateral seals 63 and 65 are formed between the seal housing 25 and the respective cylindrical surfaces 50 and 56. Similarly, end seals are formed between the seal housing 25 and the end surfaces of each of the rollers 38 and 41. For example, end seal 67 and 70 are formed between
15 the seal housing 25 and the end surfaces 52 and 54 of the roller 38. Similar end seals 72 and 74 are formed between the seal housing 25 and the end surfaces 58 and 61 of the roller 41. In combination, the lateral seals 63, 65 and the end seals 67-74 form a continuous seal between the seal assembly 36 and the seal housing 25. Importantly, the rollers 38 and 41 also form a zero seal 76 or an instrument seal 78 which are
20 necessary to close the working channel 27 both in the absence of the instrument 30 and in the presence of the instrument 30, respectively.

In the illustrated embodiment, the zero seal 76 is formed between the
rollers 38 and 41 in the absence of the instrument 30. Collectively, the lateral seals 63, 65, the end seal 67-74, and the zero seal 76 close off or seal the working channel 27 in
25 the absence of the instrument 30.

When the instrument 30, such as the grasper, is inserted into the trocar
10, as illustrated in Figure 1, the instrument seal 78 is formed between the shaft 32 and the rollers 38, 41. Collectively, the lateral seal 63-65, the end seals 67-74, and the

instrument seal 78 close off or seal the working channel 27 in the presence of the instrument 30.

Given the desire to form the various seals including the lateral seals, the end seals, the zero seal, and the instrument seal, it can be appreciated that a special material is required for the rollers 38 and 41. A material of particular interest is that disclosed by applicant in co-pending U.S. Patent Application Serial No. 60/241,958 filed on October 19, 2000, entitled "Hand-Assisted Laparoscopy Apparatus and Method, which is incorporated herein by reference. This particular material is a gel material which has properties including a low durometer hardness and a high tear strength. In addition, the gel material 80 tends to have float characteristics similar to a fluid in that it is easily displaced, for example, by insertion of an instrument, without affecting the instrument seal. Although the gel has characteristics of a fluid, it also has characteristics of a solid in that it can be formed, for example, molded to a desired shape.

Various coatings or lubricants can be applied to the sealing surfaces of the rollers 38 and 41 to facilitate formation of the various seals.

Given these characteristics, the gel material of the rollers 38 and 41 can easily form the zero seal 76, and upon insertion of the instrument 30, easily form the instrument seal 78. Importantly, the instrument seal 78 can accommodate a wide range of instrument diameters. For example, a suture having a diameter of only about one millimeter can be easily accommodated by the rollers 38 and 41. And when a large instrument having a diameter such as 12-15 millimeters, is inserted, the instrument seal 76 can compliantly expand to accommodate the larger diameter. As a result, the single trocar 10, having but a single valve formed by the rollers 38 and 41, can accomplish all of the sealing desired whether in the absence of the instrument 30 or in the presence of the instrument 30, and regardless of instrument diameters.

These advantages can accrue to any embodiment merely having a gel disposed within the seal housing 25. In the illustrated embodiment, it is the gel material

80 and its float characteristics which form the highly compliant instrument seal capable of accommodating a wide range of diameters. Forming this gel material 80 into a roller, such as the rollers 38 and 41, adds the further advantage of protecting the gel material against any tendency to tear or propagate due to insertion of a sharp instrument. With the roller configuration, a sharp point engaging the outer surface of the roller 38, for example, will cause the roller 38 or 41 to rotate on its axis and ultimately disengage the sharp instrument point without tearing the gel material 80. A further advantage of having two of the rollers 38, 41, is that the instrument 30 tends to be centered along the axis 18 within the working channel 27. Also, with two cylindrical rollers, more than one instrument may be inserted at the same time, in which case two of the instrument seals 78 are formed. For example, if a grasper is used to insert a suture, instrument seals 78 are formed around each of the grasper and the suture.

Providing the rollers 38 and 41 with an ability to move or rotate relative to their axes, facilitates the introduction of an instrument by changing a frictional resistance to a rolling resistance at the instrument seal 78. Of course, as the rollers 38 and 41 rotate, frictional resistance is encountered at the lateral seals 63 and 65 as well as the end seals 67-74. This frictional resistance can be reduced by providing the inner surface 47 of the housing 25 with a low friction coating. Alternatively, pockets of lubricating material, discussed in greater detail below, can be formed to reduce the friction associated with these seals. Friction at the end seals 67-74 can also be addressed by providing low-friction washers, such as those designated by the reference numerals 81 and 83 in Figure 5. These washers can be centered on the axles 43 and 45 of the rollers 38 and 41, respectively, so that the end seals 67-74 can be maintained with a reduced friction on the rollers 38 and 41. The washers 81 and 83 can be made of a polytetrafluoroethylene material or alternatively can be formed of a fabric material.

The individual rollers 38 and 41 and their associated axles 43 and 45, respectively, can be formed as illustrated in Figures 6 and 7. For example, the axels 43 and 45 can be formed of a rigid plastic with the gel material 80 molded to the axle 43.

The cylindrical outer surface 56, as well as the end surfaces 61 and 63, of the roller 38 are also illustrated in Figures 6 and 7.

In the illustration of Figure 8, the rollers 38 and 41 are not shown in order to illustrate axle recesses 85 and 87 which can be formed on each of the end walls associated with the housing 25. These recesses 85 and 87 can be sized and configured to rotatably receive the axles 43 and 45. The recesses 85, 87 most easily accommodate an embodiment wherein the gel material 80 and the associated axle, such as the axle 43, have a fixed relationship. In such an embodiment, the axle 43 is supported within the recess 85, and the entire roller, including the axle 43 and gel material 80, rotates relative to the housing 25.

In the embodiment of Figure 9, the recesses 85 and 87 are formed with an oblong configuration in radial cross section. The recess 85, for example, has a length and a width and the length is oriented generally parallel to the axis 18. In such an embodiment, the axle 43 of the roller 38 would be disposed in the recess 85. With its elongate configuration, the recess 85 would accommodate both rotation and translation of the roller 38. Thus, the axle 43 might be biased toward the proximal end of the recess 85 but permitted to rotate and translate distally with insertion of an instrument. The translation offered by this embodiment would tend to reduce the insertion forces on the instrument 30.

The oblong recesses 85 and 87 could also accommodate axles 90 and 92 that are oblong and cross section as illustrated in Figure 10. With the length of the oblong cross section oriented generally parallel to the access 18, greater axial support is provided for the roller 38. This orientation also reduces the transverse axle 90 in order to accommodate larger instruments between the two axles 90 and 92. The oblong axles 90 and 92 would typically have a fixed relationship with the housing 21, so the gel material 80 would rotate about the axle 90 and 92 in this embodiment. Translation could be provided by recesses 85 and 87 having a greater length than that of the axle cross-section.

In a further embodiment of the invention illustrated in Figure 11, the rollers 38 and 41 are each formed with a pair of in-line axles. For example, the roller 38 includes cylindrical axles 94 and 96 which may be rotatable within a common oblong recess, such as the recess 85. The axles 94 and 96 in the illustrated embodiment are aligned longitudinally or generally parallel to the axis 18. The gel material 80 in this particular embodiment is rotatable relative to the axles 94 and 96 which are in turn rotatable with respect to the seal housing 25. With this configuration, the in-line axles 94, 96 function as needle bearings rotatably supporting the gel material 80 which functions as a conveyor belt. This construction tends to further reduce insertion forces encountered by the instrument 30. Of course the in-line axles 94 and 96 could be oriented laterally of each other as illustrated in Figure 12, or generally disposed, at any other angle relative to the axis 18.

In the embodiment of Figure 13A, the rollers 38 and 41 are mounted on axles 98 and 101, respectively, having an oblong configuration. In this case, the axle 98, for example, is provided with a cylindrical mounting pin 103 which is sized and configured to be received in the associated recess 85. With the pin 103 disposed at one end of the oblong cross-section, as shown in Figure 13B, the roller 38 will tend to pivot, perhaps against a spring bias, as the instrument is inserted. In this case, translation of the roller 30 is along an arc shown generally by the arrow 105 in Figure 13A.

The structure of Figure 14 is similar to that of Figure 11 in that the rollers 38 and 41 are provided with multiple axles. In this embodiment, for example, the roller 38 has four axles, 103, 105, 107 and 110 which are rotatable on individual axes, and also revolve about a common line shown as a point 112 in Figure 14. With the gel material 80 of the roller 38 provided with a cylindrical inner hole 113, its rotation, is greatly facilitated by the multiple axles 103-110 which function as needle bearings.

The embodiment of Figure 15A is similar to that of those previously discussed except that this embodiment includes a protrusion 114 which extends

inwardly of the seal housing 25. In the illustrated embodiment, the protrusion 114 is disposed between the recesses 85 and 87 and has a convex configuration. With an opposing protrusion 116 extending inwardly from the opposite wall as shown in Figure 15B, the protrusions 114 and 116 function to center the instrument 30 along the rollers 38 and 41, which for clarity are not shown in this view. The convex protrusions 114 and 116 also serve to add additional compression on the end surfaces of the rollers in order to aid in sealing around the inserted instrument 30.

A preferred embodiment of the roller 38 was described with references to Figures 6 and 7. Many other embodiments of the roller 38 will now be apparent to those of ordinary skill in the art. These additional roller embodiments will typically be formed with a fixed relationship between the axle 43 and the gel material 80. Nevertheless, as previously noted, the roller 38 can be formed with the axle 43 maintained in a fixed relationship with the seal housing 25. In this latter case, the gel material 80 would typically revolve about the fixed axle 43.

One of the additional roller embodiments is illustrated in Figure 16 where the axle 43 is formed as a spring. With this configuration, the axle is slightly bendable or deformable along its length, thereby aiding in the ability of the roller 38 to conform to the shape of inserted instrument 30 such as the grasper.

Another roller embodiment is illustrated in Figure 17 wherein the axle 43 has a shape other than the cylindrical shape illustrated in the embodiment of Figure 7. In this case, the axle 43 has an angular groove 118 which is disposed within the gel material 80. This groove 118 facilitates orientation of the gel material 80 relative to the axle 43. Particularly in an embodiment wherein the gel material 80 revolves around a fixed axle 43, the groove 118 facilitates a preferred disposition of the gel material 80 centered on the axle 43.

With reference to Figure 18, it can be appreciated that the centered relationship between the gel material 80 and the axle 43 can actually be facilitated by angular protrusions designated by the reference numeral 121. These protrusions 121

can be formed as a surface of revolution defined by multiple semi-circles as illustrated in Figure 18. Alternatively, the protrusions 121 might be formed as surfaces of revolution defined by straight lines, perhaps forming peaks and valleys as illustrated in the embodiment of Figure 19.

5 In the embodiment of Figure 20, the axle 43 is similar to that of Figure 17 in that it includes an angular groove 118. It is also similar to the embodiment of Figure 18 in that it includes protrusions 121. In each of the embodiments disclosed in Figure 17-20, the non-cylindrical shape of the axle 43 serves to circumferentially compress the gel material 80 around any inserted instrument 30 to facilitate sealing and minimize any
10 tendency toward a "cat-eye" effect

 In the embodiment of Figure 20 the gel material 80 is formed with at least one groove 123 which begins at the cylindrical surface 56 and extends inwardly toward the axle 43. It is the purpose of the groove 123 to facilitate compliance of the gel material 80 with the instrument 30. This, , enhances formation of the instrument
15 seal 78 by dividing the gel material into discreet sections 125 and 127. Of course these sections can be defined by any groove extending inwardly from a surface of the gel material 80. The groove 123 need not be planar, but can have a curved or rounded configuration. It can also be disposed at any angle with respect to the axle 43, not just the 90-degree angle illustrated in Figure 20.

20 The groove 123 can have a constant width or even a variable width in different embodiments. The groove 123 can extend from the cylindrical surface 56 to the axle 43, as illustrated in Figure 20, or can extend only a portion of this distance as illustrated in Figure 21. It can also be formed as a surface of revolution about the axis 18. For example, in Figure 22, this surface of revolution is defined by a semi-circle 125.

25 Grooves such as the groove 123, which facilitates compliance of the gel material 80 with the instrument 30, can also be formed interiorly of the gel material 80 as illustrated by the voids 127 in Figure 23. These voids 127 also create space into which the gel material can more easily flow to provide the desired compliance

characteristics. The voids 127 can take generally any shape, not just the cylindrical shape illustrated in the cross-sectional view of Figure 23. The gel voids 127 can extend to a surface of the gel material 80 or be defined entirely within the gel material 80.

Voids can also be created in the axle 43, but for a entire different purpose.

5 Such voids are illustrated in Figure 24 and designated by the reference numeral 130. The purpose of these voids 130 is to facilitate a flow of the gel material into the voids 130 as the gel material 80 is insert molded onto the axle 43. With the gel 80 extending outwardly of the axle 43 and through the voids 130 of the axle 43, the fixed relationship between these two structures is greatly facilitated.

10 In other embodiments, the gel material 80 can be formed into a plurality of independent structures 132 and 134 which may either have a fixed relationship or a moveable relationship with respect to the seal housing 25. In embodiments wherein the structures 132 and 134 are moveable, the absence of axles could facilitate movement of the structures 132 and 134 in an independent and random manner. Such movement
15 might include both rotational movement, as well as translational movement. Although the gel structures 132 and 134 and Figure 25 are illustrated to have a cylindrical configuration, it will be apparent that the number and shape of the various gel structures 132, 134 may vary considerably in different embodiments of the invention.

The outer surface of the gel material 80 can also have many different
20 forms as illustrated by the embodiment of Figure 26. In this cross-sectional view, the rollers 38 and 41 have an outer surface defined by alternating peaks and valleys. In the cross-section view, these rollers 38, 41 have the configuration of a star and are oriented with respect to each other so that the peaks of each roller 38, 41 align with the valleys of the opposing roller 41, 38 in a mesh-gear configuration.

25 Figure 27 illustrates an embodiment wherein the rollers 38 and 41 are configured as inflatable bladders 132 and 134. The bladder 132 will typically be formed as a cylinder having an outer skin 136 supported at its ends on the axle 43. This skin 136 defines an interior cavity which can be inflated, typically with an inflating material

138 which may be fluid or semi-fluid such as a gas or liquid. Thus inflated, the bladder 132 is provided with characteristics which are highly compliant and therefore beneficial to the formation of the instrument seal 78. The skin 136 can be formed from a gel of the type previously disclosed or can be formed from a less compliant material.

5 Particularly with the rolling characteristics, this embodiment will not be particularly susceptible to puncture.

A further embodiment of the invention is illustrated in Figure 28 wherein the rollers 38 and 41 are illustrated to include wiper seals 140 and 143, respectively. These wiper seals 140, 143 extend outwardly from the cylindrical surface 56 toward the
10 inner surface of the seal housing 25. As the rollers 38 and 41 revolve about their respective axels 43 and 45, at least one of the wipers 141 and at least one of the wipers 143, respectively, form the lateral seals 63, 65 and end seals 67-74 with the housing 25. With a reduced area of contact between the wipers 141, 143 and the seal
15 housing 125, there is a decrease in the frictional resistance associated with rotation of the rollers 38 and 41. Reduced frictional resistance is desirable as it decreases instrument insertion forces.

In the embodiment of Figure 29, this reduced frictional resistance associated with the lateral seal 63 and 65 is maintained with a structure wherein the seal housing 25 is formed with wipers 145 and 147 that extend inwardly to contact the
20 cylindrical surfaces 50 and 56 of the rollers 38 and 41, respectively. With the wipers 145 and 147 having a stationary or fixed relationship with the housing 25, they also define with the rollers 38 and 41 a pocket 152 which can be filled with a fluid or semi-fluid material 154 such as a lubricant or antiseptic. This material is initially maintained in the pocket 152 but ultimately coats the rollers 138, 141 as they rotate in response to
25 insertion of the instrument 30.

Multiple pockets, such as the pocket 152 can be formed by providing additional wipers 156 and 158 as illustrated in Figure 30. In this case, a pocket 161 is formed between the wipers 141 and 156, while a pocket 163 is formed between the

wipers 143 and 158. Different materials can be disposed in the different pockets 161, 163.

In the embodiments of Figures 29 and 30, the stationary wipers 141, 143 extend laterally, transverse to the axis 18. In the embodiment of Figure 31, these
5 wipers 141 and 143 extend axially from the seal housing 25 into contact with the cylindrical surfaces 50 and 56, respectively. With this configuration, the wipers 141, 143 also function as guides to facilitate introduction of the instrument 30 directly between the rollers 38 and 41.

With reference to the embodiment of Figure 32, it will be appreciated that
10 the stationary wipers 156 and 158 can also be oriented axially to facilitate formation of the pockets 161, 163 and to function further as guiding elements for the instrument 30.

Additional sealed pockets 165 and 170 can be formed in an embodiment including not only the rollers 38, 41, but two additional rollers 172 and 174. Such an embodiment is illustrated in Figure 33.

The embodiment illustrated in Figure 34 is most easily distinguished with
15 reference to the cross-section of view of Figure 35. In this embodiment, the gel material 80 is formed in multiple sections 181-186 which are positioned radially of the axis 18 and collectively form a toroid 190. The sections 181-186 are individually rotatable about a common axle 192 which also has a toroidal configuration. It will be noted that
20 in this embodiment the zero seal 76, as well as the instrument seal 78, are formed interiorly of the toroidal axle 192. Maintaining the rotational characteristics of the individual sections 181-186 also facilitates insertion of the instrument 30 into the working channel 27.

With the gel material 80 in a toroidal configuration, it is particularly
25 advantageous to form the seal housing 25 with a cross section that is circular as illustrated in Figure 35. This circular cross section would be exhibited with the seal housing 25 having a conical or cylindrical configuration. The circular cross section is desirable since the toroidal gel material 80 is also circular on its outer edge. This

facilitates formation of a single continuous seal between the housing 25 and the gel material 80. Thus, with the circular cross section, for the housing 25 and the toroidal configuration for the gel material 80, all seals necessary to seal the working channel both in the presence and in the absence of the instrument 30, are formed by the gel material 80. This configuration also greatly facilitates the manufacturing process where the toroidal gel material 80 is merely inserted into the conical or cylindrical seal housing 25.

These same characteristics are exhibited in a further embodiment, which is illustrated in Figure 36 and the cross-sectional view of Figure 37. In this case, the various sections 181-186 associated with the embodiment of Figure 35 are formed in an integral configuration so that the toroid 190 rotates as a single unit around the toroidal axle 192. This embodiment is less expensive to manufacture but still maintains the advantages associated with the toroidal configuration.

Figure 38 illustrates another embodiment which is similar to that of Figure 29 except that the wipers 145 and 147 of that embodiment are replaced with idler rollers 194 and 196. These idler rollers 194, 196 can be supported on the seal housing 25 where they are permitted to rotate on their respective axes. The idler rollers 194 and 196 provide the lateral seals 63 and 65 between the seal housing 25 and the rollers 38 and 41, respectively. By including the idler rollers 194, 196, frictional resistance associated with the embodiment of Figure 29 is replaced with a reduced rotational resistance, thereby facilitating insertion of the instrument 30.

Other embodiments of the invention are associated with various structures for mounting the axles 43 and 45 relative to the seal housing 25. In the embodiment of Figure 39, these axles 43 and 45 are mounted on supports 198 and 201 which are in turn pivotally supported by the seal housing 25. The supports 198 and 201 can be spring biased to move the rollers 38 and 41, respectively, toward each other. This bias will facilitate formation of both the zero seal 76 and instrument seal 78.

Two entry ports, 203 and 205, are provided in the embodiment of Figure 40 which also includes a third roller 207 disposed between the rollers 38 and 41. With this structure, two valves 210 and 212 are formed, one between the rollers 38 and 207 and the other between the rollers 41 and 207. In the absence of any instrument 30, the valves 210 and 212 will form zero seals across the associated ports 203 and 205. When an instrument is inserted into the entry port 203, an instrument seal will be formed by the valve 210. Similarly, an instrument inserted into the entry port 205 will form an instrument seal with the valve 212. Of course rotation of the rollers 38, 41 and 207 will vary greatly depending on the timing of instrument introduction and removal.

The embodiment of Figure 41 is interesting as it illustrates that only the single roller 38 may be required to form both the zero seal 76 and instrument seal 78. In the illustrated embodiment, an interior wall 214 extends inwardly from the seal housing 25 toward the axis 18 and forms a sealing valve 216 with the roller 38. Thus, the sealing valve 216 forms the zero seal 76 between the wall 214 and the roller 38 in the absence of the instrument 30. When the instrument 30 is inserted, the instrument seal 78 is formed between the wall 214 and the roller 38.

In Figure 42, a sealing valve is formed between the rollers 38 and 41 as in previous embodiments. Although these rollers 38 and 41 are formed on the axles 43 and 45, respectively, they do not rotate, but rather have a fixed relationship with the seal housing 25. This structure is representative of many embodiments wherein the gel material 80 forms both the zero seal 76 and instrument seal 78 but without the rolling characteristics associated with previous embodiments.

The embodiment of Figure 43 is similar to that of Figure 3 in that it includes the two rollers 38 and 41 which were disposed in the seal housing 25. In this embodiment, however, formation of the zero seal 76 is facilitated with the addition of a third roller 216 which is supported on an arm 218 pivotally mounted on the seal housing 25. This roller 216 is operatively disposed distally of and in contact with the rollers 38 and 41. In this position, the roller 216 forms a zero seal with each of the rollers 38 and

41 in the absence of the instrument 30. When the instrument 30 is inserted, the instrument seal 78 is initially formed with the rollers 38 and 41. However, as the instrument 30 is inserted further, it contacts the roller 216 and pivots it away from the axis 18. In this position, the roller 216 performs no sealing function. However, when
5 the instrument 30 is removed, the arm 218 is biased to move back to the operative position to facilitate formation of the zero seal 76.

A similar embodiment is illustrated in Figure 44 wherein the roller 216 is sufficiently large to form the zero seal 76 with a pair of interior walls 221 and 223 which helped define the working channel 27. In this case, however, a septum 225 is provided
10 to form the instrument seal 78. As the instrument 30 is inserted into the working channel 27, the instrument seal 78 is formed with the septum 225. As the instrument 30 is further inserted, it contacts the roller 216 and pivots the biased arm 218 away from the working channel 27. As the instrument 30 is removed, the zero seal 76 is established and the instrument seal 78 is broken. Note that with the same cross-
15 sectional view illustrated in Figure 44, the interior walls 221 and 223 may comprise a single cylindrical wall. In such an embodiment, the roller 216 preferably has a spiral configuration. Alternatively, the walls 221 and 223 may each have planar configurations in which case the roller 216 is preferably cylindrical in shape.

In the embodiment of Figure 45, the zero seal is formed by two rollers,
20 specifically the roller 216 carried by the biased arm 218, and a second roller 227 carried by a biased arm 230. In this embodiment, the roller 216 forms a seal with the interior wall 221 while the roller 227 forms a seal with the interior wall 223. A further seal 232 is required in this embodiment between the roller 216 and 227. In this embodiment, the two wall seals and the further seal 232 combine to form the zero seal 76 in the absence
25 of the instrument 30. As in the previous embodiment, the instrument seal 78 is formed by the septum 225.

The embodiment of Figure 46 is similar to that of Figure 3 in that it includes the two rollers 38 and 41. However in this case, a pair of levers 231 and 232

are individually pivotal on the housing 25 and biased into contact with the associated roller 38 and 41, respectively. With the levers 231 and 232, extending inwardly of the housing 25 and toward each other, they are maintained generally in a closed position illustrated in Figure 46 but movable to an open position upon insertion of the instrument 30. With these operating characteristics, the leverage 231 and 232 can aid several advantages to the present embodiment. In the closed state, the levers 231 and 232 form pockets 233 which can be used in the manner previously disclosed. As the instrument 30 is inserted, the levers 231 and 232 help guide it toward the intersection of the rollers 38 and 41. If the instrument 30 has a sharp point, the levers 231 and 232 will ensure that this point does not engage the rollers 38 and 41 at a sharp angle. Rather, the sharp point of the instrument will contact the rollers 38 and 41 only at a small acute angle facilitating rotation of the rollers 38 and 41 and thereby inhibiting any damage to the gel material 80.

Figure 47 illustrates an embodiment wherein the working channel 27 is lined with a tubular braid or mesh 234, at least within the seal housing 25.

Accordingly, the mesh 234 extends between the rollers 38 and 41 and greatly facilitates introduction of the instrument 30 centrally through the housing 25. In the absence of the instrument 30, the gel forming material 80 forming the rollers 38 and 41 is sufficiently compliant to form the zero seal even with the mesh 234 present between the rollers 38, 41. When the instrument 30 is inserted, the gel material 80 forms the instrument seal 70 with the braid 234 and the instrument 30. When the mesh 234 is made from a low-friction material, such as polyester, it not only guides the instrument 30 centrally along the working channel 27, but also reduces the insertion forces encountered by the instrument 30.

Similarly braid material can also be used to form covers 236 and 238 on the respective rollers 38 and 41 as shown in Figure 48. Once again, it will be noted that the compliance of the gel material 38 is sufficient to form both the zero seal 76 and the

instrument seal 78, notwithstanding the presence of the mesh 236, 238 between the rollers 38, 41.

The embodiment of Figure 49 illustrates the seal housing 25 with the rollers 38 and 41 disposed inside. In this case, the rollers 38, 41 are sized and
5 configured to respond to distal pressure by moving proximally within the housing 25 to a proximal position as illustrated in Figure 49. In this proximal position, the lateral seals 63 and 65 are formed between the housing 25 and the rollers 38 and 41, respectively. These seals, together with a further seal 241 formed between the rollers 48 and 41 complete the zero seal 76. As the instrument 30 is inserted, the free-floating rollers 38
10 and 41 are moved distally by the instrument breaking the zero seal 76 but at the same time forming the instrument seal 78 with the instrument 30. This distal movement of the rollers 38 and 41 is accomplished with the distal force of the instrument 30 which acts against the proximal force of any distal pressure.

With respect to the embodiment of Figure 49, it is contemplated that the
15 instrument 30 may be a pressurized injectate introduced into the working channel 27. To the extent the pressure of the injectate on the proximal side of the rollers 38, 41 exceeds the fluid pressure on the distal side of the rollers 38, 41, the pressure differential will cause the rollers 38, 41 to move distally, thereby creating a gap 243 through which the injectate can pass between the rollers 38 and 41 as shown in Figure
20 50.

Note that a pressure on a proximal side of the rollers 38, 41 has the opposite effect. To the extent that the pressure on the distal side of the rollers 38, 41 exceeds the pressure on the proximal side of the rollers 38, 41, the pressure differential will cause the rollers 38, 41 to move proximally into a more confined space, thereby
25 creating a seal to inhibit proximal flow. Thus, with this embodiment, the device functions as a one-way valve.

In another embodiment illustrated in Figure 51, the rollers 38 and 41 are included in a roller assembly 244 which is carried by a catheter shaft 245 and moved

within a body conduit 247. The rollers 38, 41 are retained within a rigid housing 250 in an orientation that is generally perpendicular to the length of the shaft 245 and the conduit 247. A balloon 252 is disposed around the housing 250 in order to reduce any trauma to the body conduit 247. With this configuration, the gel rollers 38, 41 and the
5 balloon 252 seal the conduit 247 on either side of the roller assembly 244. Distal pressures from gases, liquids or solids can facilitate an opening between the rollers 38 and 41 thereby permitting passage to the proximate side of the roller assembly 244.

The embodiment of Figure 51 would also facilitate insufflation of the conduit 247 distal of the roller assembly 245, while permitting passage of
10 instrumentation into the insufflated conduit 247 without any loss of gases or fluids.

Another embodiment, illustrated in Figure 52 is also adapted for use within the body conduit 247. In this case, the rollers 38 and 41 are rotationally mounted on legs 253, which extend from the catheter shaft 245. In the absence of any exterior housing, such as that designated by the reference numeral 250 in Figure 50, the gel
15 rollers 38, 41 are free to contact the conduit 247. Seals formed between the rollers 38 and 41 can function in the matter previously discussed.

It is also contemplated that the rollers 38 and 41 can be disposed in a transverse orientation within a lumen 254 of a tubular shaft 257 as illustrated in Figure 53. In this case, the rollers 38 and 41 would be mounted on the axles 43 and 45,
20 respectively, which are in turn carried by the shaft 257. With this construction, the rollers 38 and 41 form the zero seal 76 across the lumen 254 of the shaft 257 but also accommodate introduction of an instrument, such as a suture 256, along the lumen 254

The embodiment of Figure 54 is most easily distinguished with reference to the cross-sectional view of Figure 55. In this embodiment, the seal mechanism
25 within the seal housing 25 includes four rollers 258, 261, 263, 265, with the rollers 258 and 263 mounted parallel to each other. The rollers 261 and 265 are mounted parallel to each other and angularly spaced by 90 degrees from the rollers 258 and 263. The four rollers 258-265 are formed of the gel material 80 in a preferred embodiment and

contact each of the two adjacent rollers along the working channel 27. Thus the rollers 258-265 can be disposed generally radially of the access 18. With this configuration, the relatively narrow rollers 258-265 can form seals with each other and thereby facilitate formation of both the zero seals 76 and instrument seals 78.

5 A further embodiment of the invention is illustrated in Figures 56-61. This is the same embodiment illustrated in multiple stages of operation with different sizes of instruments. For example, the perspective view of Figure 56 and the top plan view of Figure 59 illustrated this embodiment in the absence of the instrument 30. In this case, the embodiment includes the cannula 16 and the seal housing 25 having a proximal
10 opening 267 for receipt of the instrument 30. The seal housing 25 has a generally triangular or trapezoidal configuration with a relatively narrow proximal end 269, and a relatively wide distal end 270. The rollers 38 and 41 are mounted on post 272 and 274, respectively, which are fixed to the walls of the housing 25 at the proximal end 269. When the rollers 38 and 41 are disposed at the proximal end 269, the gel material 80
15 tends to form the rollers 38, 41, concentrically around the post 272 and 274, respectively.

As perhaps best illustrated in Figure 59, the rollers 38 and 41 in this normal position not only form seals with the housing 25, but also form the zero seal 76 with each other. When a relatively small instrument, such as that designated by the
20 reference numeral 276 in Figures 57 and 60, is introduced through the opening 267, it tends to separate the rollers 38 and 41 sufficiently to permit passage of the instrument. If the instrument 276 is sufficiently small, the instrument seal 78 will be formed around the instrument 276 while it is still in the proximal position.

For comparison, a larger instrument, designated by the reference numeral
25 278 in Figures 58 and 61 can also be accommodated by this embodiment. In this case, the larger instrument 276 cannot be accommodated by the rollers 38 and 41 in the proximal position. As a result, the instrument 278 forces the rollers 38 and 41 to translate distally toward the wider distal end 270 of the seal housing 25. With the

additional width provided by the housing 25, the gel material 80 of the rollers 38 and 41 can stretch on the post 272 and 274 respectively to accommodate the larger instrument 278. In this stretch configuration, the rollers 38, 41 form the instrument seal 78 with the larger instrument 278.

5 The stretching or translation of the rollers 38 and 41 can be facilitated by providing a low friction surface between the rollers 38, 41 and the housing 25. In a preferred embodiment illustrated in Figure 62, two endless loops, 281 and 283, are formed of a low-friction material such as polytetrafluoroethylene. The loop 281 is mounted between posts 283 and 285 which are fixed to the housing 25. With this
10 structure, the loop 281 is disposed between the roller 38 and the housing 25. Similarly, the loop 283 is mounted to extend between posts 289 and 291 between the roller 41 and the housing 25. As the larger instrument 278 is inserted, the rollers 38 and 41 translate toward the wider distal end 270 in the manner previously discussed. However, with the embodiment of Figure 66, the low-friction loops 281 and 283
15 significantly reduce frictional forces between the rollers 38 and 41 and the housing 25. This, of course, reduces the insertion forces associated with the larger instrument 278.

From the foregoing embodiments, it would be apparent that the concept of the present invention may vary widely depending on the particular quality,
characteristics and advantages desired for a given embodiment. For the most part, the
20 concept will include at least one roller disposed within the seal housing of a trocar. The roller may not rotate, but in most embodiments will either translate or rotate relative to the seal housing. The roller will typically define at least a portion of the working channel of the trocar and may operate relative to a wall or another roller. The roller may be stationary or it may rotate relative to a fixed or rotatable axle. Rotation of the roller will
25 typically reduce insertion forces and protect the material of the roller. Braids, levers, and fixed walls can aid in defining the working channel. Multiple rollers may be used to define more than one working channel. Idler rollers and wiper seals can be used to find pockets for the receipt of lubricants or antiseptic materials, for example. The rollers will

typically have a high level of compliance so that instrument seals can be formed over a large range of instrument diameters. Inflatable rollers are contemplated but typically this compliance will be provided by a gel material offering a high degree of stretchability.

5 Due to the wide variation in embodiments included in this concept, one is cautioned not to limit the concept only to the embodiments disclosed, but to determine the scope of the invention only with reference to the following claims.

CLAIMS

1. A trocar adapted to provide access for a surgical instrument
5 through a body wall and into a body cavity, comprising:
a cannula having a proximal end and a distal end;
a seal housing communicating with the cannula to define a working
channel;
a seal assembly disposed within the seal housing;
10 at least one roller included in the seal assembly and having an axle
supported by the seal housing; and
the roller having properties for forming a zero seal in the absence
of the instrument, and an instrument seal in the presence of the instrument.
2. The trocar recited in Claim 1, wherein the roller is pivotal
with the axle relative to the seal housing.
3. The trocar recited in Claim 1, wherein:
the axle has a fixed relationship with the seal housing; and
the roller has a pivotal relationship with the axle.

4. The trocar recited in Claim 1 wherein the roller in radial cross-section has the configuration of a geometric shape.

5. The trocar recited in Claim 4, wherein the geometric shape is a circle.

6. The trocar recited in Claim 4, wherein the geometric shape is a star.

7. The trocar recited in Claim 1, wherein the roller is a first roller, the axle is a first axle, and the trocar further comprises:

a second roller disposed on a second axle in sealing engagement with the first roller, the second axle having a general parallel

5 relationship with the first axle.

8. The trocar recited in Claim 7, wherein:
the first roller has the configuration of a first cylinder with a
5 first radius;
the second roller has the configuration of a second cylinder
with a second radius; and
the first axle is separated from the second axle a distance
not greater than the sum of the first radius and the second radius.

9. The trocar recited in Claim 1, wherein the roller is sized and
configured to form the instrument seal with the instrument, the instrument seal
having a diameter with a lower limit of about zero millimeters, and an upper limit
in a range between about six millimeters and 12 millimeters.

10. The trocar recited in Claim 1, further comprising:
a spring for biasing the roller relative to the seal housing.

11. The trocar recited in Claim 1, wherein the roller is a first
roller rotatable on a first axis and the trocar further comprises:
a second roller rotatable on the first axis.

12. The trocar recited in Claim 1, wherein the roller is a first roller rotatable on a first axis and the trocar further comprises at least one second roller rotatable on a second axis different than the first axis.

13. The trocar recited in Claim 12, further comprising:
a least one third roller rotatable on a third axis different than the first axis and the second axis.

14. The trocar recited in Claim 1, wherein the roller comprises a toroid.

15. A surgical combination, comprising:
an instrument having a diameter of at least about one millimeter;
an access device adapted to facilitate disposition of the
5 instrument across a body wall;
a cannula included in the access device and having an axis extending between a proximal end and a distal end;

a seal housing communicating with the cannula, to define a working channel with the cannula;

10 a seal assembly disposed within the seal housing of the access device;

a roller included in the seal assembly, the roller being sized and configured to form a zero seal in the absence of the instrument and an instrument seal in the presence of the instrument.

16. The surgical combination recited in Claim 15, wherein the roller includes a gel material.

17. The surgical combination recited in Claim 15, wherein:
the roller has an axle with two ends;
at least one of the ends of the axle being supported by the housing.

18. The surgical combination recited in Claim 15, further
5 comprising:
an interior wall disposed within the seal housing; and
the roller having properties for forming the zero seal with the
interior wall.

19. The surgical combination recited in Claim 17, wherein the
roller includes a gel material supported on the axle and rotatable with the axle
relative to the seal housing.

20. The surgical combination recited in Claim 17, wherein the
axle has a fixed relationship with the seal housing and the gel material is
supported on the axle and rotatable relative to the axle.

21. The surgical combination recited in Claim 15, wherein the
diameter of the instrument is at least about 5 millimeters.

22. The surgical combination recited in Claim 21, wherein the diameter of the instrument is at least about 10 millimeters.

23. The surgical combination recited in Claim 15, wherein the seal housing and the roller are formed of translucent materials.

24. A trocar assembly, including:

- a cannula extending along an axis between a proximal end and a distal end;
- a seal housing communicating with the cannula to define a working channel;
- a roller disposed within the seal housing, the roller being pivotal on an axis;
- a resilient material included in the roller and having properties susceptible to tearing in response to an instrument inserted into the working channel; and

the roller being moveable by the inserted instrument to pivot the resilient material relative to the axis to inhibit tearing of the resilient material.

25. The trocar assembly recited in Claim 24, wherein:
the roller has an end surface and a circumferential surface;
and
an instrument inserted into the working channel encounters
5 a frictional resistance associated with the end surface and a rolling resistance
associated with the circumferential surface.

26. The trocar assembly recited in Claim 24, wherein:
the resilient material defines an outer surface of the roller;
and
the outer surface has properties for wiping an instrument
5 inserted into the working channel.

27. The trocar assembly recited in Claim 25, further comprising:
a washer disposed between the end surface of the roller and
the seal housing.

28. The trocar assembly recited in Claim 27, wherein the washer includes at least one of polytetrafluoroethylene and a fabric.

29. The trocar assembly recited in Claim 26, wherein portions of the resilient material define at least one circumferential groove around the roller.

30. The trocar assembly recited in Claim 24 wherein the roller is a first roller, the axis is a first axis, and the trocar assembly further comprising:
a second roller disposed within the seal housing and pivotal on the first axis.

31. The trocar assembly of Claim 24, wherein the roller is a first roller, the axis is a first axis, and the trocar assembly further comprises:
a second roller disposed within the seal housing and being pivotal on a second axis different than the first axis.

32. A trocar assembly, comprising:
a cannula having a proximal end and a distal end;
a seal housing communicating with the cannula to define a working channel;
a roller having an outer surface pivotal on an axis and being
5 disposed in proximity to an inner surface of the seal housing; and
at least one wiper disposed between the outer surface of the
roller and the inner surface of the housing.

33. The trocar assembly recited in Claim 32, wherein:
the wiper is carried by the roller and is moveable with the
roller to wipe the inner surface of the housing.

34. The trocar assembly recited in Claim 32, wherein:
the wiper is supported on the seal housing and is disposed
to wipe the outer surface of the roller.

35. The trocar assembly recited in Claim 34, wherein the wiper is a first wiper and the trocar assembly further comprises:

a second wiper supported on the housing and forming with the first wiper a chamber defined by the outer surface of the roller and the inner surface of the housing; and

a substance disposed within the chamber for coating the outer surface of the roller.

36. The trocar assembly recited in Claim 35, wherein the substance is a lubricant.

37. A trocar assembly, comprising:

a cannula having an axis extending between a proximal end and a distal end;

a seal housing communicating with the cannula to define a working channel;

a roller having an axle supported by the seal housing, the roller having properties for forming an instrument seal when an instrument is inserted into the working channel;

a resilient material defining an outer surface of the roller;

10 and

portions of one of the resilient material and the axle defining
at least one void.

38. The trocar assembly recited in Claim 37, wherein portions of the resilient material defines the void to facilitate formation of the instrument seal.

39. The trocar assembly recited in Claim 37, wherein:
portions of the axle define the void to receive an inflow of the resilient material into the void of the axle in order to facilitate a fixed relationship between the resilient material and the axle.

40. The trocar assembly recited in Claim 37, wherein portions of the resilient material define at least one circumferential groove in the roller.

41. A trocar assembly, comprising:

a cannula having a proximal end and a distal end;

a seal housing having an inner surface and being disposed at one of the proximal end and the distal end of the cannula;

5 a roller having a resilient outer surface and an axle for pivoting the outer surface relative to the inner surface of the seal housing; and

portions of the inner surface of the seal housing defining at least one recess configured and arranged to receive the axle.

42. The trocar assembly recited in Claim 41, wherein:

the axle has at least one end with an area in radial cross-section, the size of the recess being generally greater than the area of the axle
5 end.

43. The trocar assembly recited in Claim 42, wherein the recess has a width, and a length greater than the width, the length being disposed generally in a particular relationship to the working channel to facilitate translation of the roller relative to the working channel.

44. The trocar assembly recited in Claim 43, wherein the particular relationship is generally parallel.

45. The trocar assembly recited in Claim 43, wherein the particular relationship is generally perpendicular.

46. The trocar assembly recited in Claim 43, wherein the particular relationship is an acute angle.

47. A trocar assembly, comprising:
a cannula having an axis extending between a proximal end
and a distal end;
a valve housing communicating with the cannula to define a
5 working channel;
a roller valve disposed on an axle in the valve housing and
including a compliant material, the valve having properties for forming a zero
seal across the working channel in the absence of the instrument, and an

instrument seal across the working channel in the presence of the instrument;

10 and

the instrument seal having a diameter in radial cross-section ranging from a lower limit of about zero millimeters to an upper limit greater than about 6 millimeters. .

48. The trocar assembly recited in Claim 47, wherein the valve comprises:

first portions forming a wall seal with the valve housing; and
second portions forming the zero seal in the absence of the
5 instrument in the working channel, and the instrument seal in the presence of the
instrument in the working channel.

49. The trocar assembly recited in Claim 48, wherein the valve has properties for moving relative to the valve housing.

50. The trocar assembly recited in Claim 49, wherein the valve has properties for translating relative to the valve housing.

51. The trocar assembly recited in Claim 50 wherein the valve has properties for translating along a path disposed at an acute angle to the working channel.

52. The trocar assembly recited in Claim G49, wherein the valve has properties for pivoting relative to the valve housing.

53. The trocar assembly recited in Claim 52, wherein the valve has properties for rotating relative to the valve housing.

54. The trocar assembly reciting Claim 47, wherein the compliant material includes a gel.

55. The trocar assembly recited in Claim 47, wherein the compliant material of the valve includes an inflatable bladder.

56. A seal assembly adapted to provide access for a surgical instrument across the body wall and into a body cavity, comprising:
- a cannula ;
 - a valve housing defining with the cannula a working channel
- 5 and having an axis extending between a first end and a second end;
- a valve disposed in the valve housing and being movable within the valve housing between a first position and a second position; and
 - the valve having first compression characteristics relative to the instrument at the first position, and second compression characteristics
- 10 relative to the instrument at the second position.

57. The seal assembly recited in Claim 56, wherein the first position is in proximity to the proximal end of the valve housing.

58. The seal assembly recited in Claim 56, wherein:

- the housing includes a pair of opposing walls; and
- the walls between the first position and the second position diverge toward the second position.

59. The seal assembly recited in Claim 58, wherein the first compression characteristics are greater than the second compression characteristics.

60. The seal apparatus recited in Claim 56, further comprising:
a low friction surface disposed between the valve and the valve housing.

61. The seal assembly recited in Claim 60, wherein the low-friction surface is formed on a belt moveable relative to the valve housing.

62. The seal assembly recited in Claim 56, wherein at least one of the valve and the valve housing is formed of a translucent material.

63. The seal assembly recited in Claim 62, wherein the valve is formed of a gel material.

64. A valve assembly adapted to receive an elongate object and to form an object seal with the object, the assembly comprising:

a valve housing having a first opening at a first end and a second opening at a second end;

5 a valve disposed in the valve housing and forming a housing seal with the valve housing; and

the valve having properties for forming a first object seal when the object is inserted through the first opening at the first end of the valve assembly, and alternatively forming a second object seal when the object is inserted into the second
10 opening at the second end of the valve housing.

65. The valve recited in Claim 64, wherein:

the valve housing has an axis extending through the first opening and the second opening; and

the valve is symmetrical about the axis of the valve assembly.

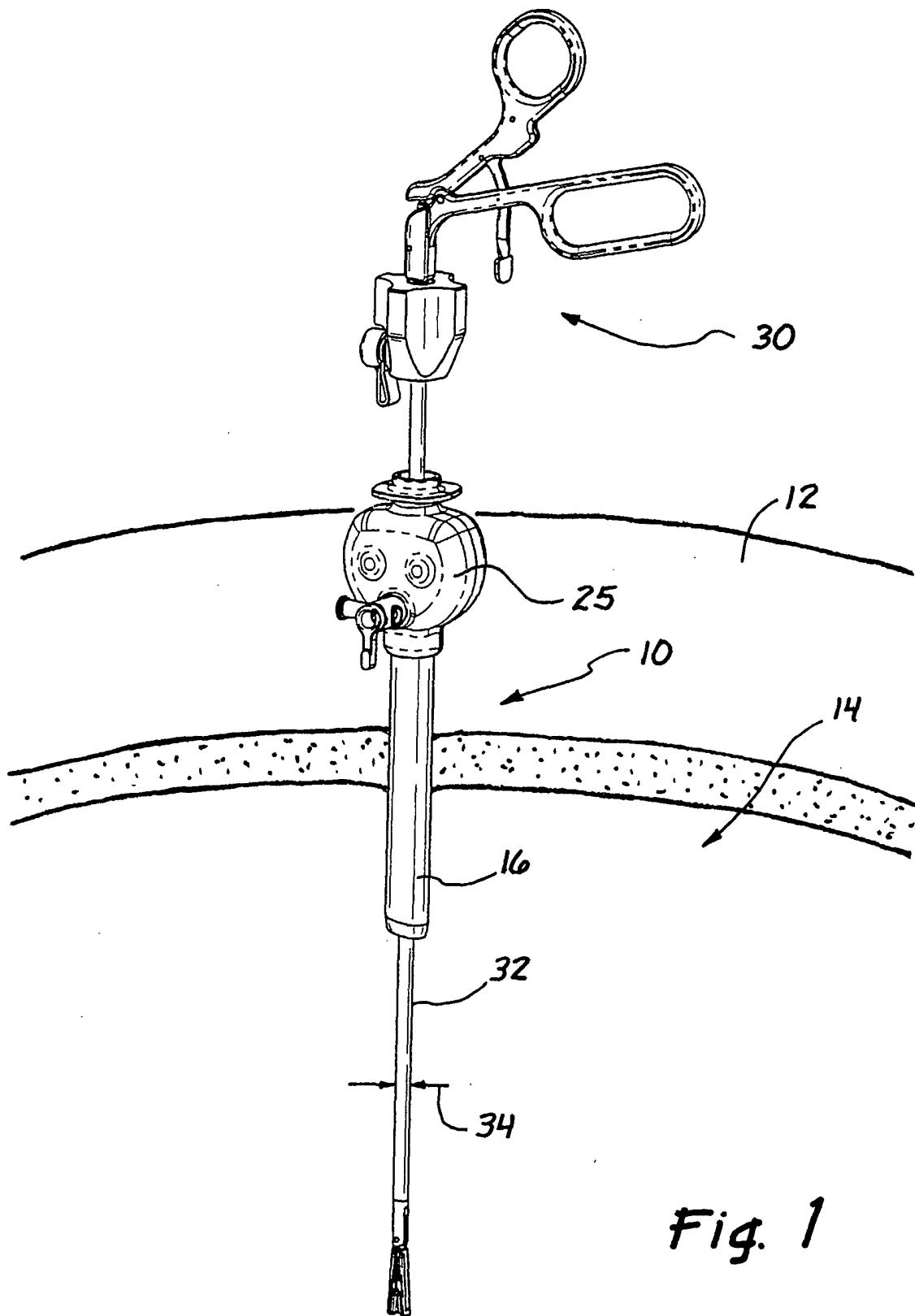
66. The valve assembly recited in Claim 64, wherein in the absence of
5 an object, the valve has properties for forming a first zero seal to inhibit fluid flow
through the first opening, and alternatively a second zero seal to inhibit fluid flow
through a second opening.

67. A method of sealing a surgical access device, comprising the
steps of:

providing a cannula sized and configured for disposition across a
body wall and into a body cavity;

5 coupling the cannula to a seal housing to form a working channel;
and

sealing the working channel in the seal housing with a gel material
to prevent any fluid flow through the working channel both in the presence of an
instrument in the working channel and in the absence of an instrument in the working
10 channel.



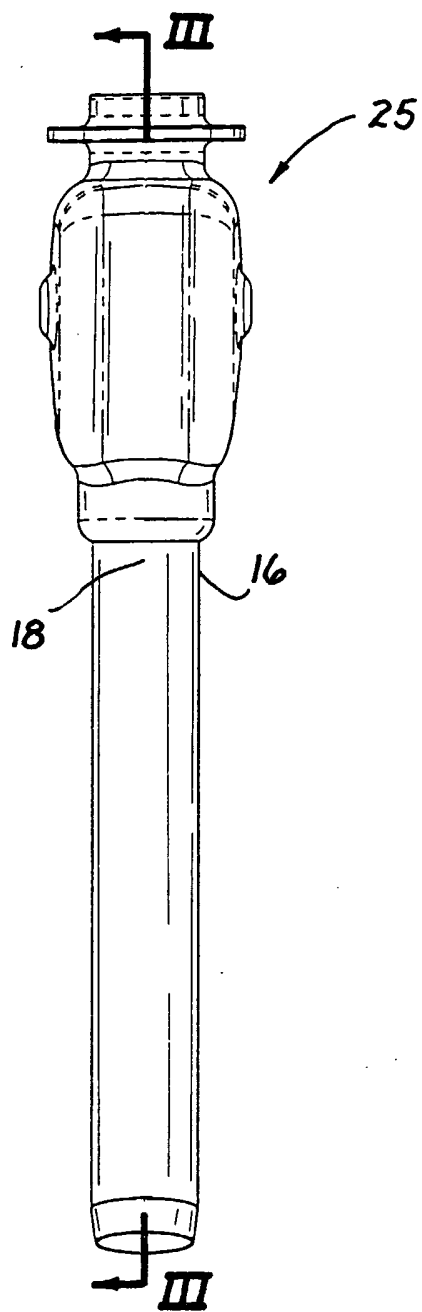


Fig. 2

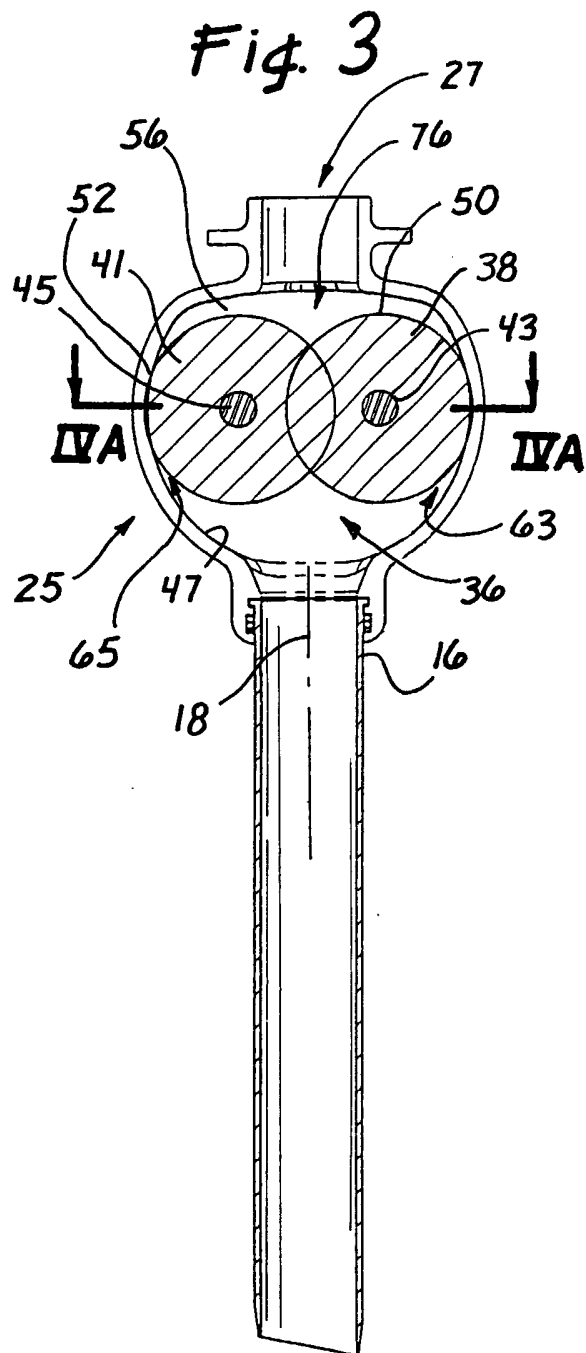


Fig. 3

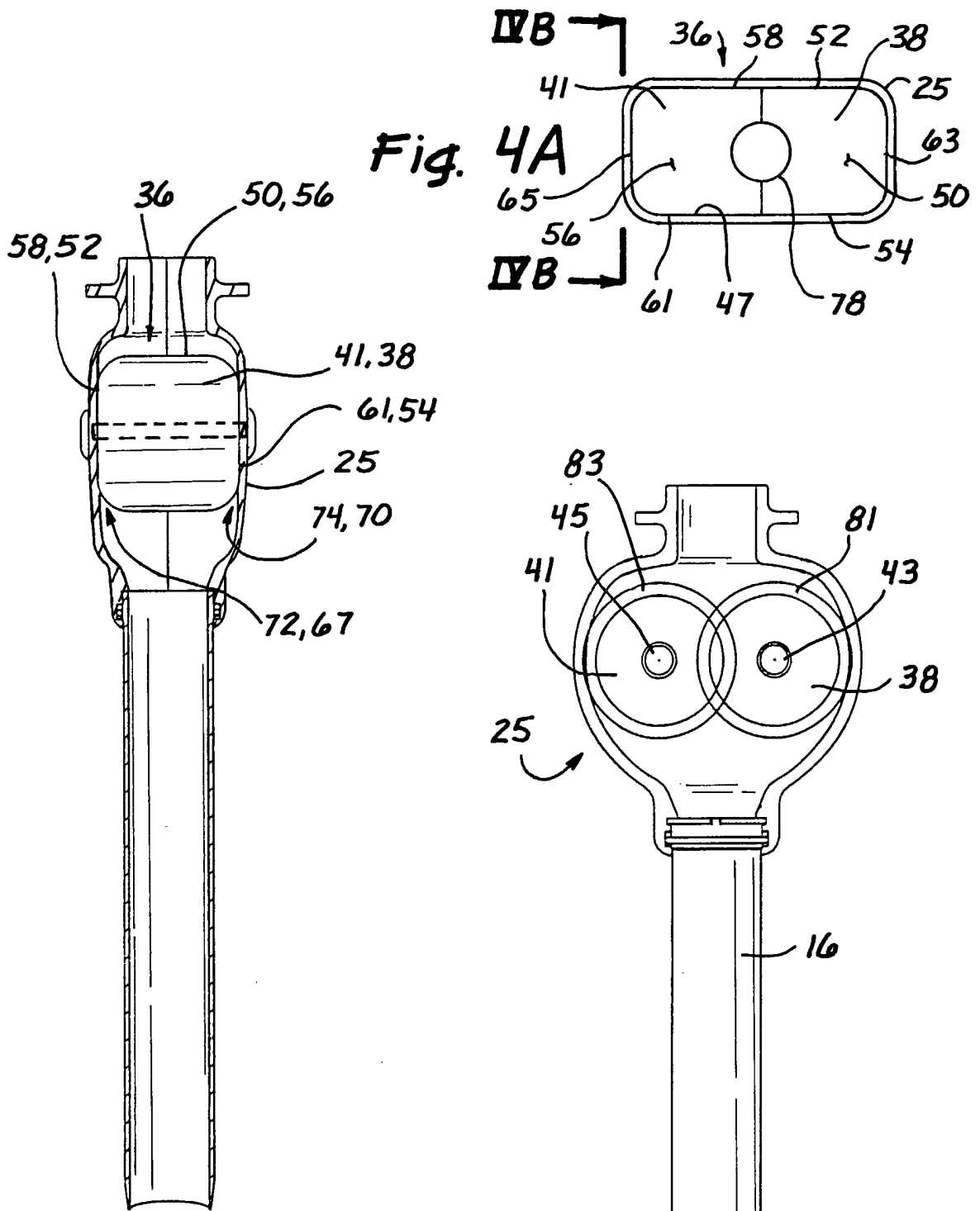
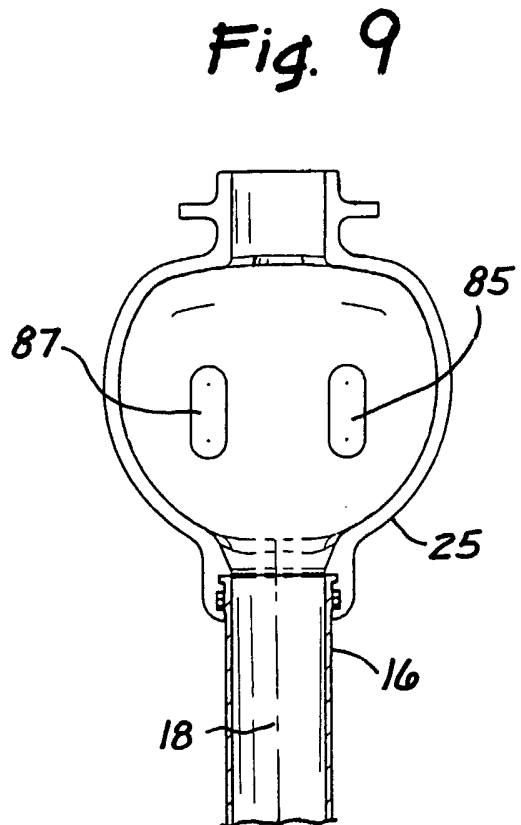
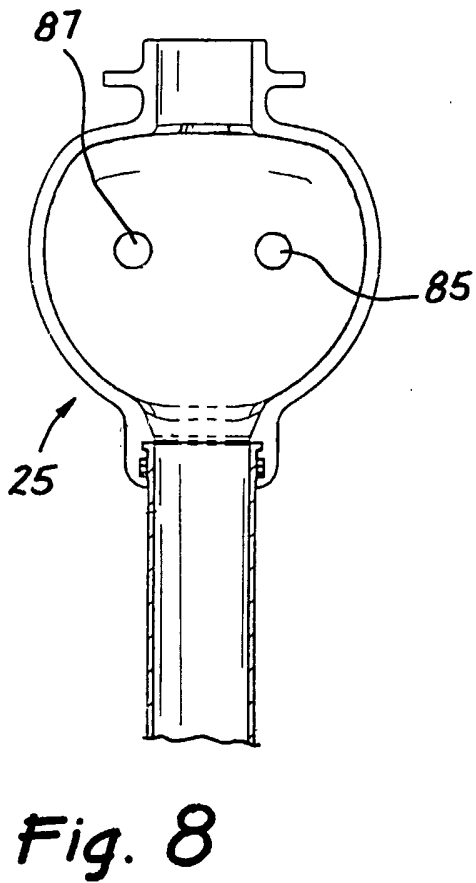
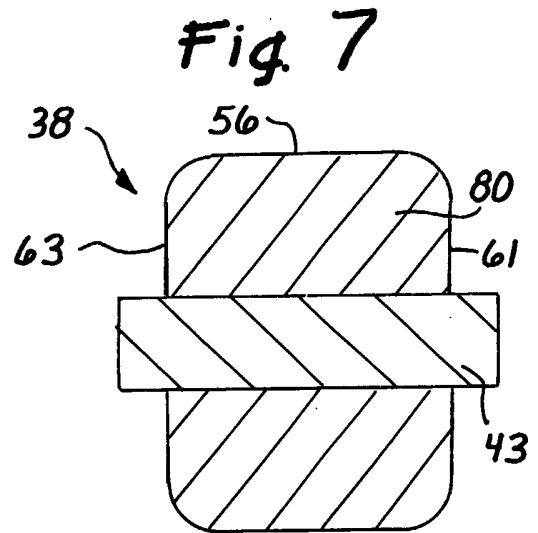
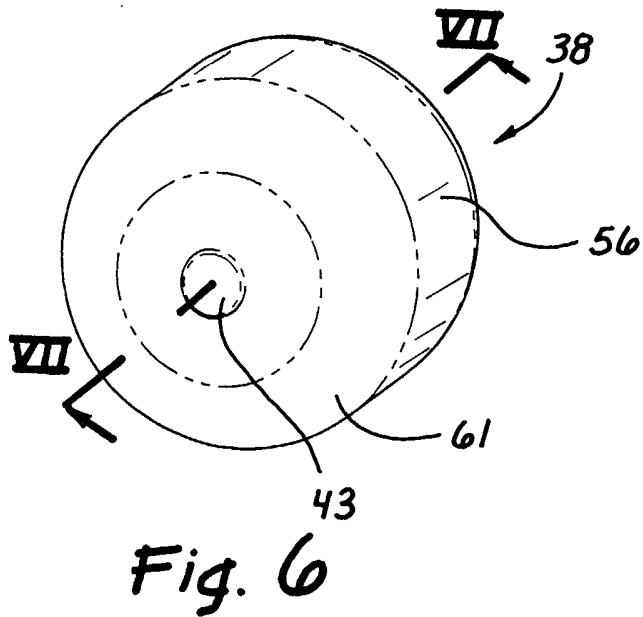


Fig. 4B

Fig. 5



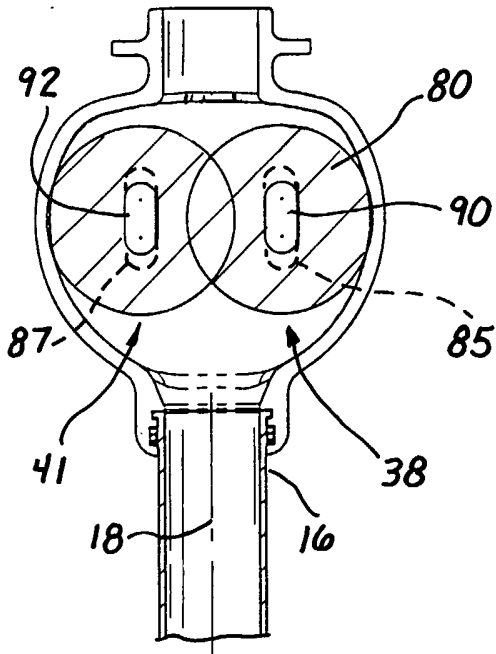


Fig. 10

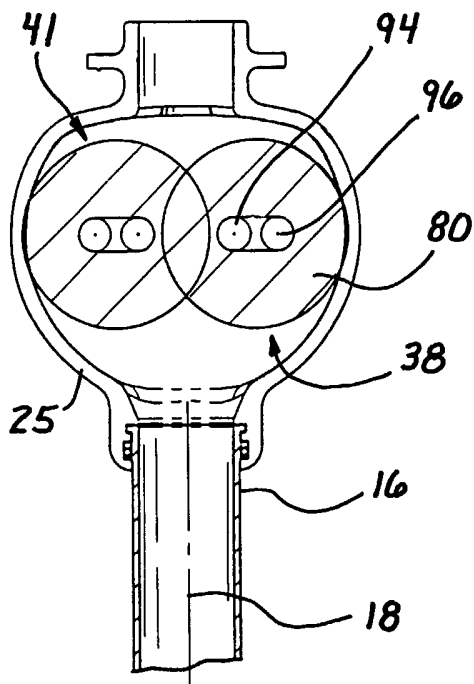
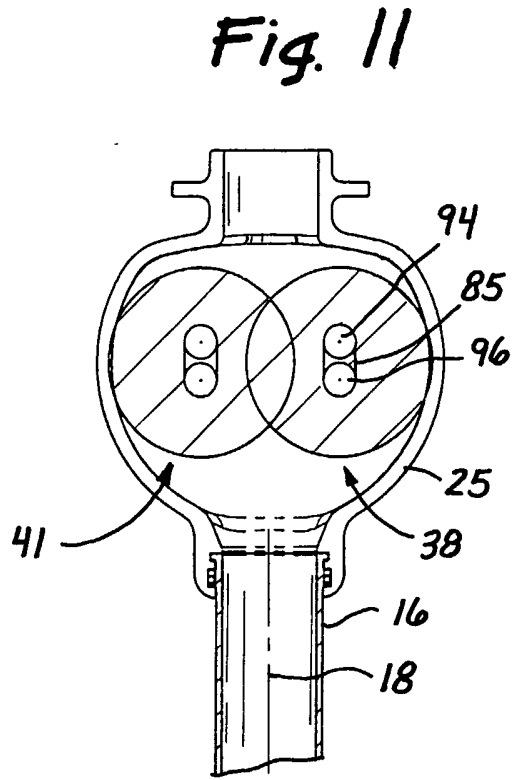
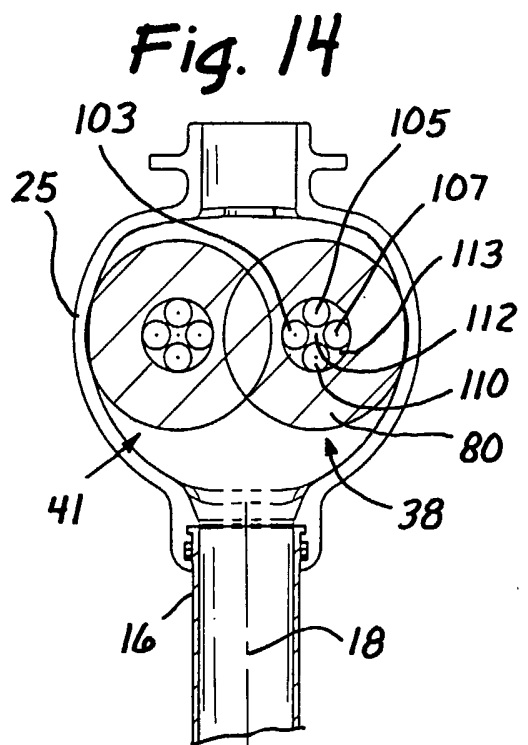


Fig. 12



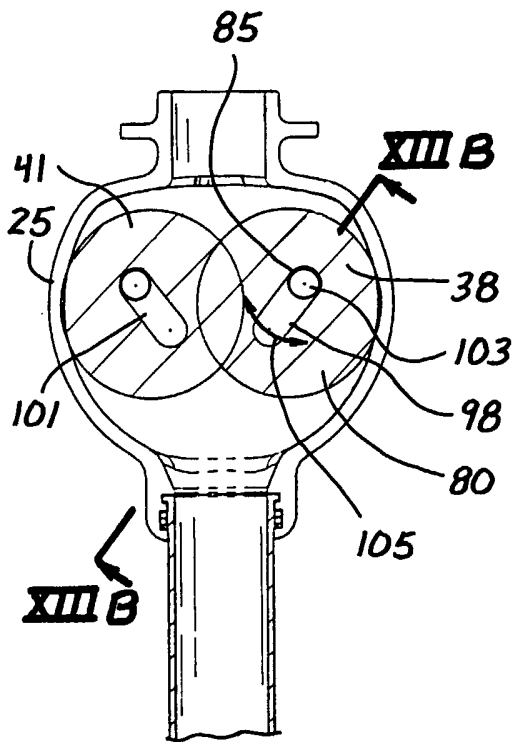


Fig. 13A

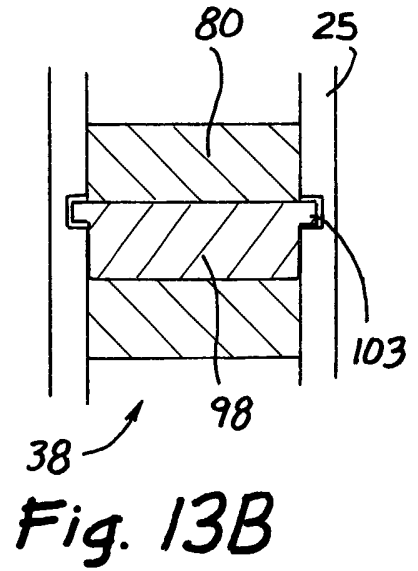


Fig. 13B

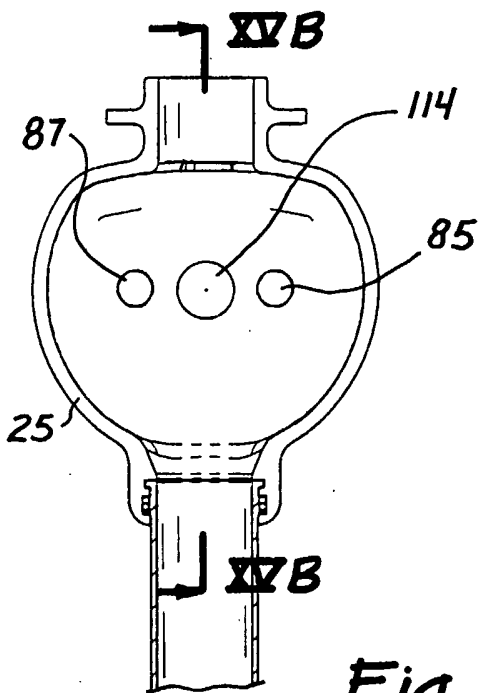
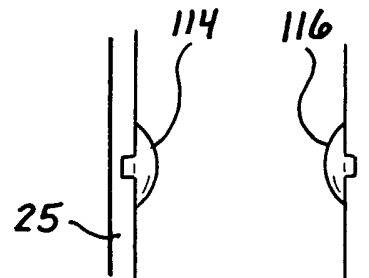


Fig. 15A

Fig. 15B



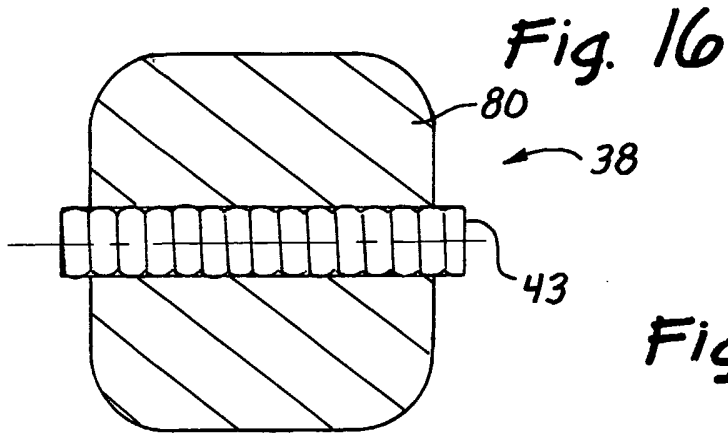


Fig. 17

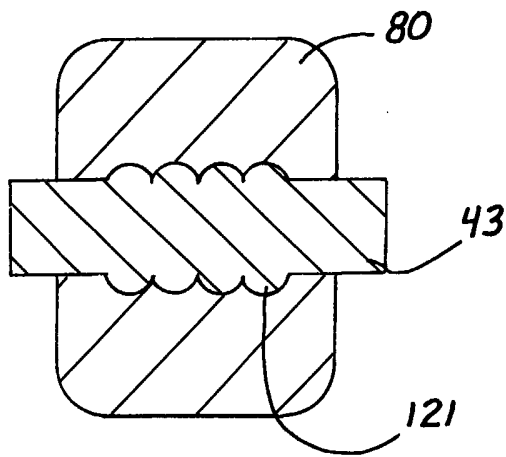
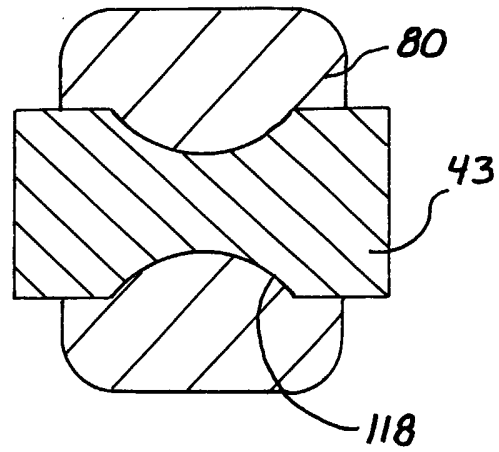


Fig. 18

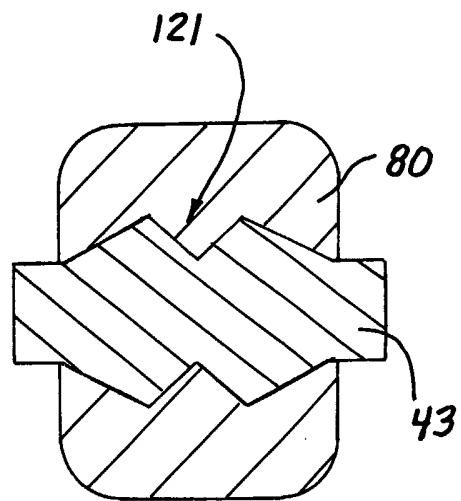


Fig. 19

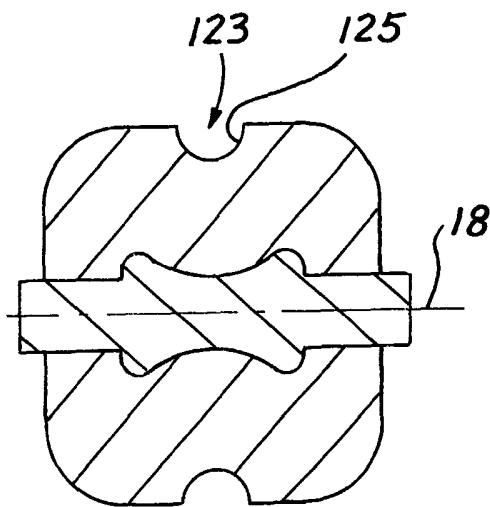
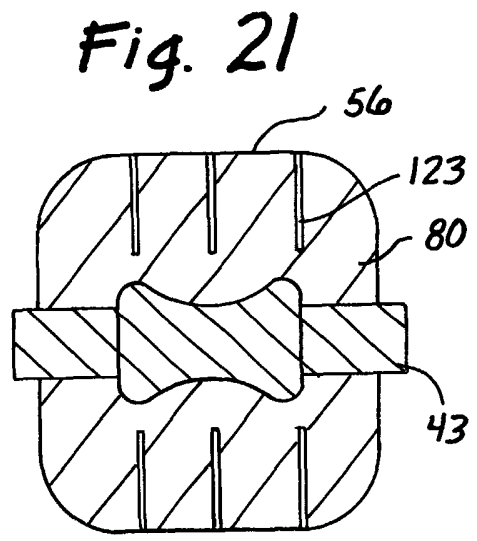
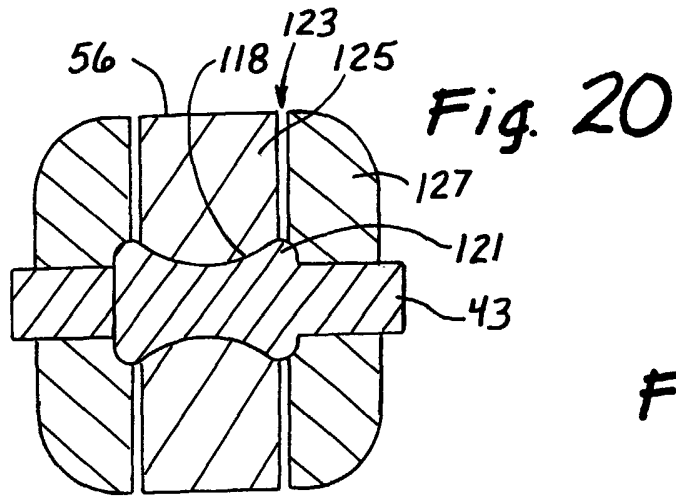


Fig. 22

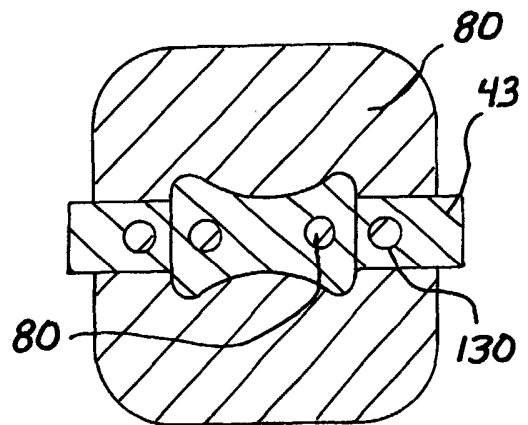


Fig. 24

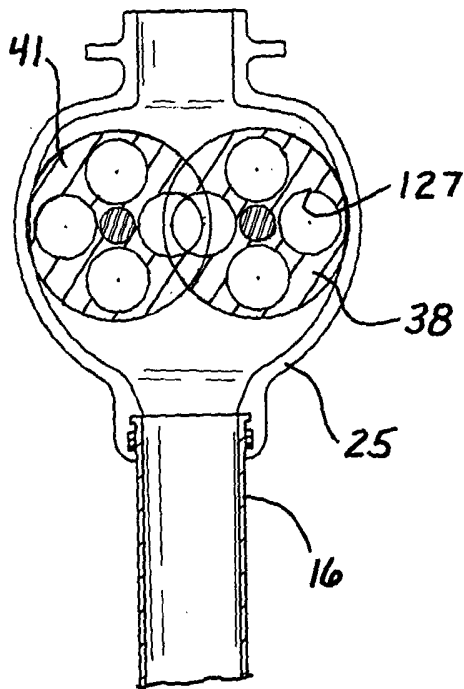


Fig. 23

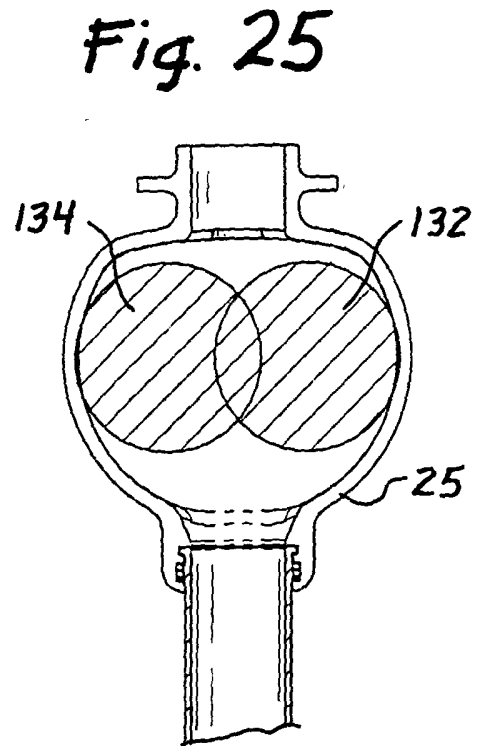


Fig. 25

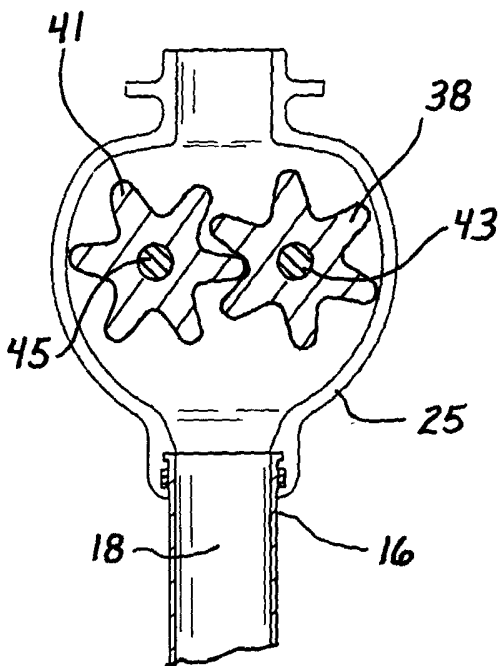


Fig. 26

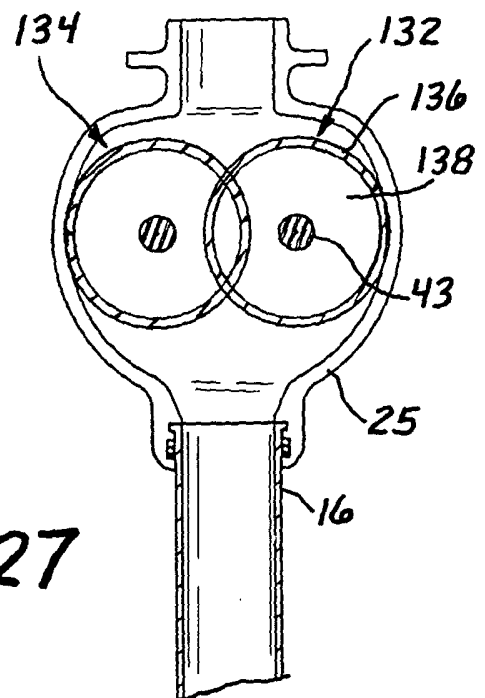
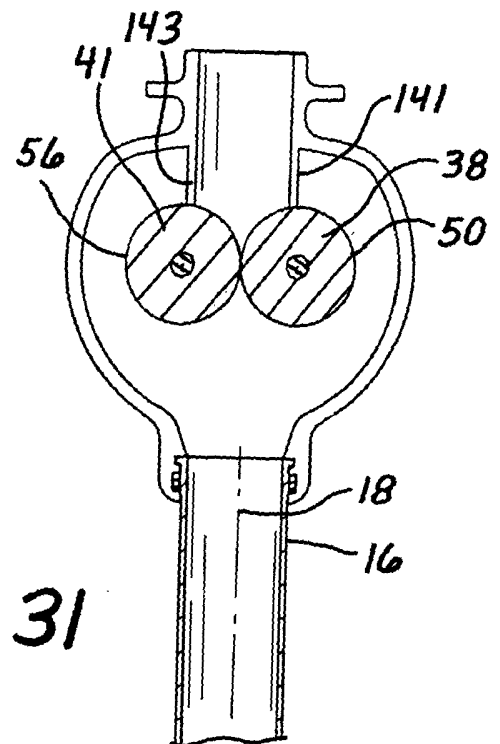
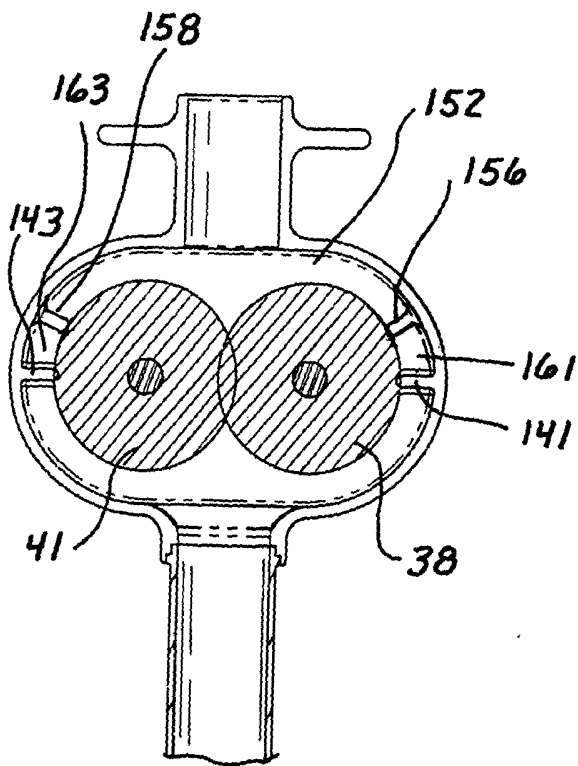
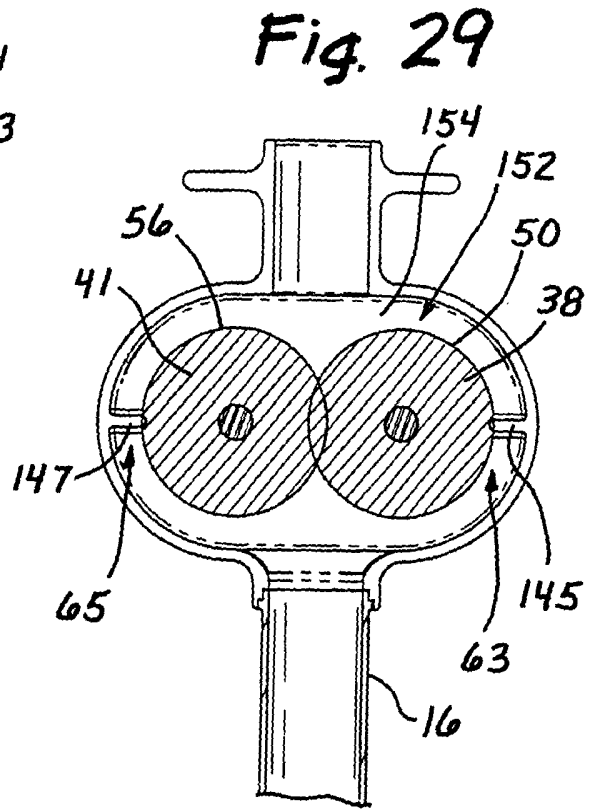
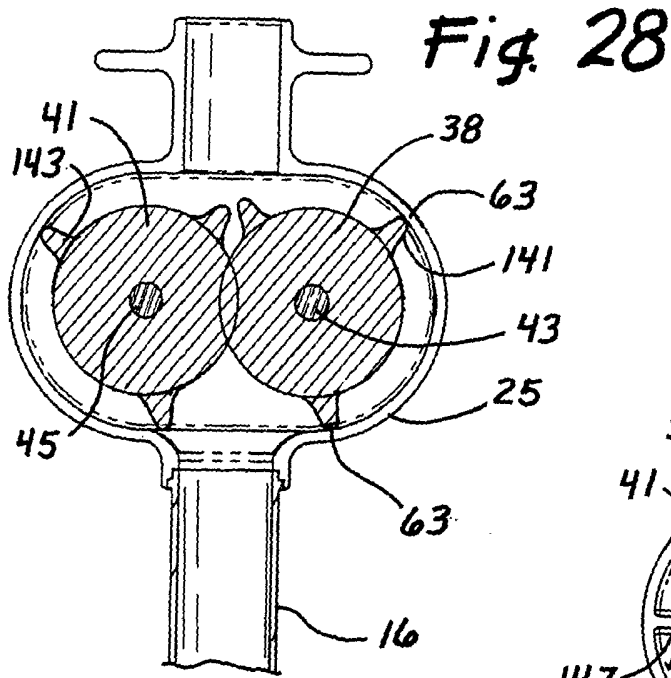


Fig. 27



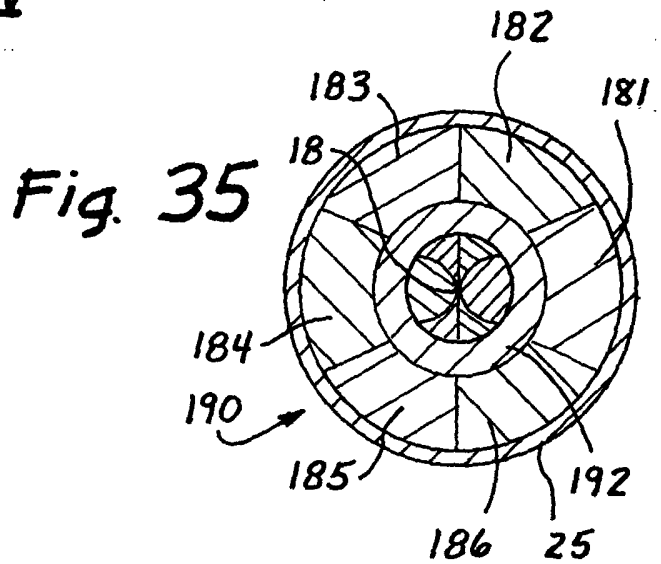
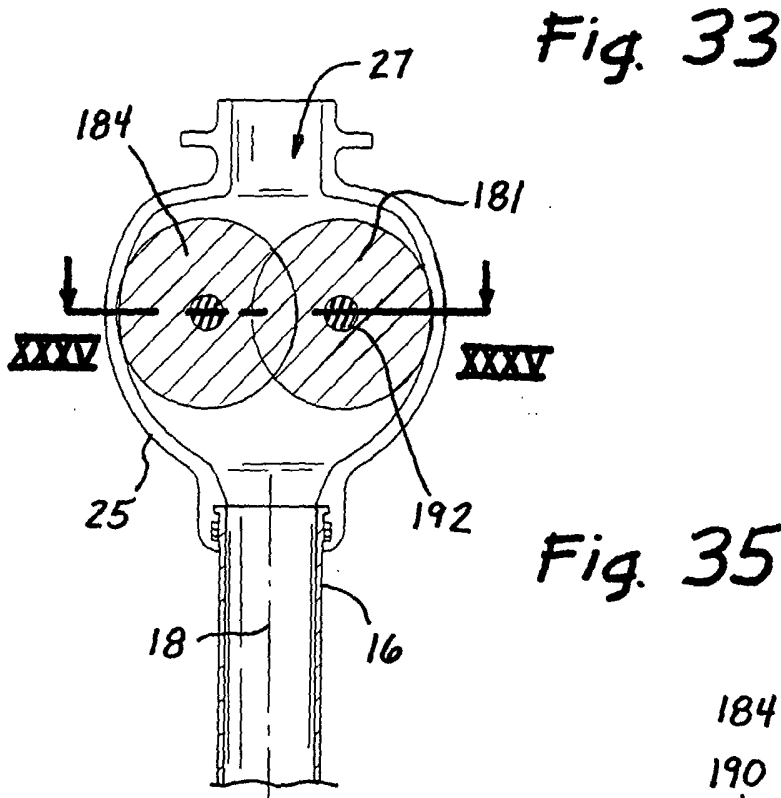
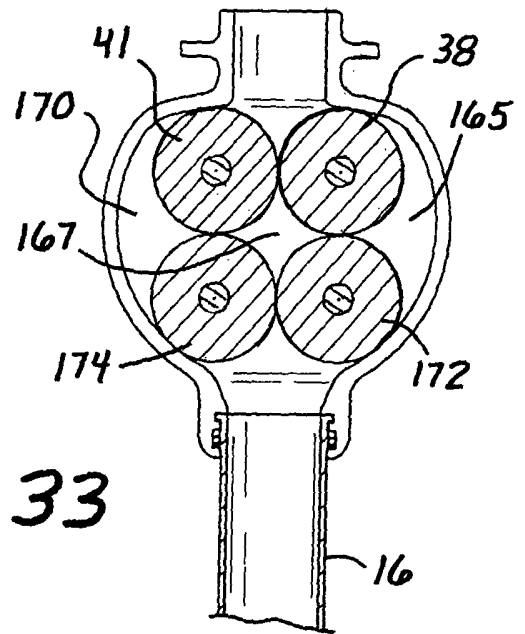
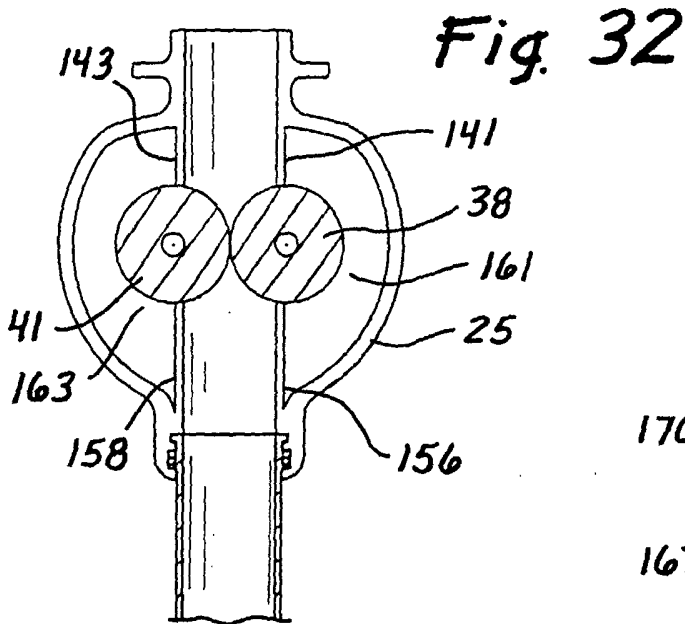


Fig. 34

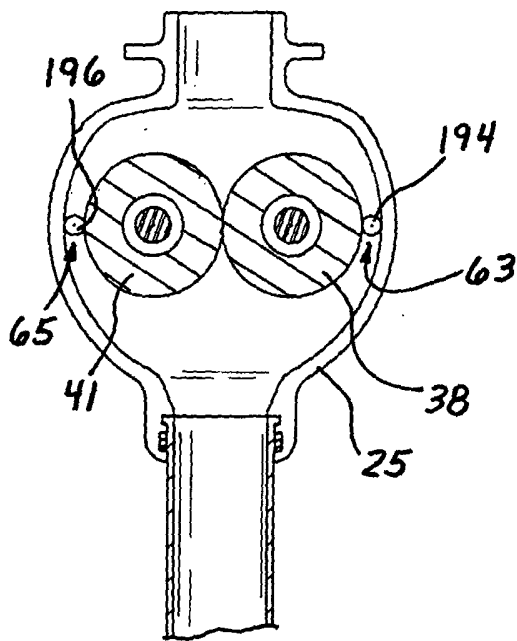
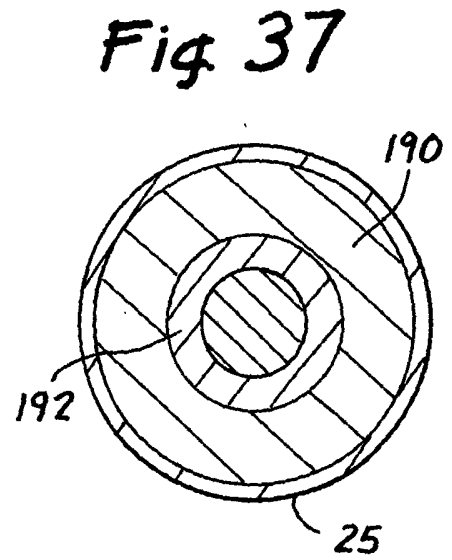
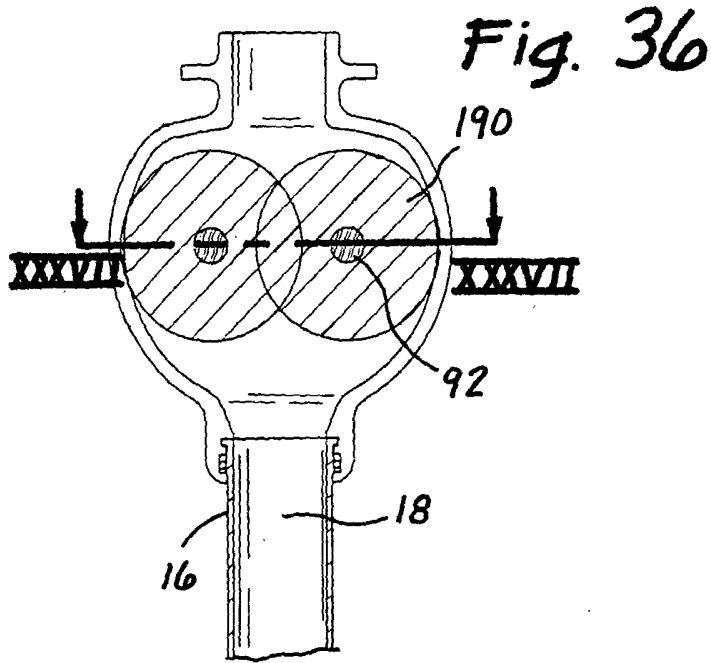
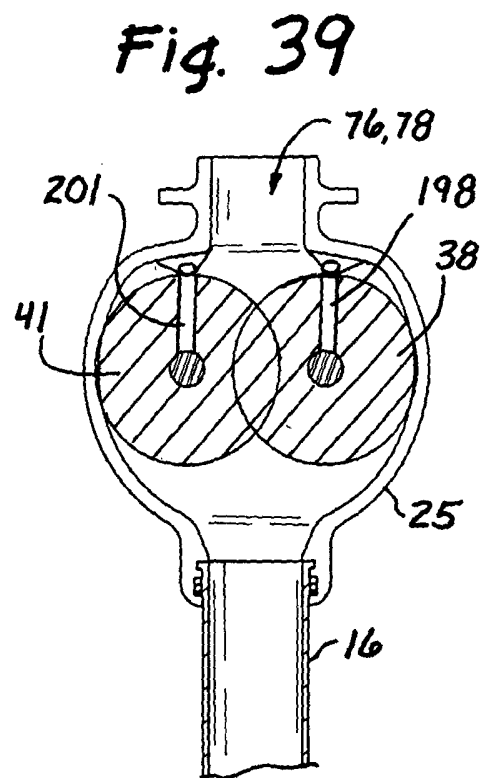
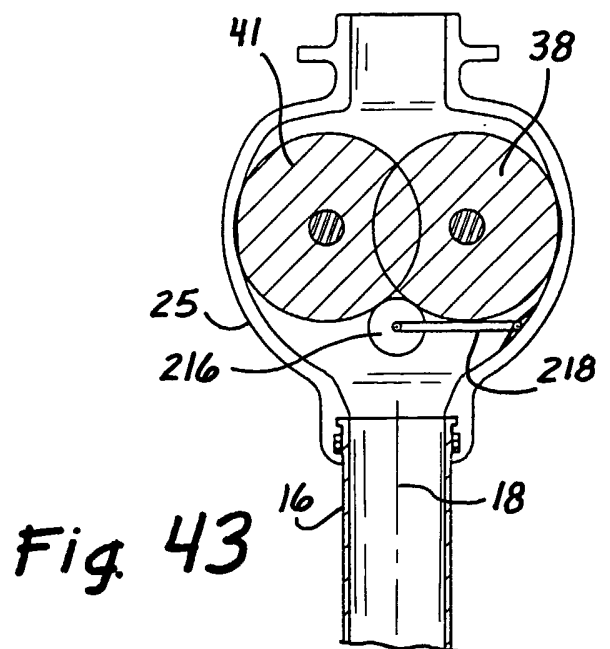
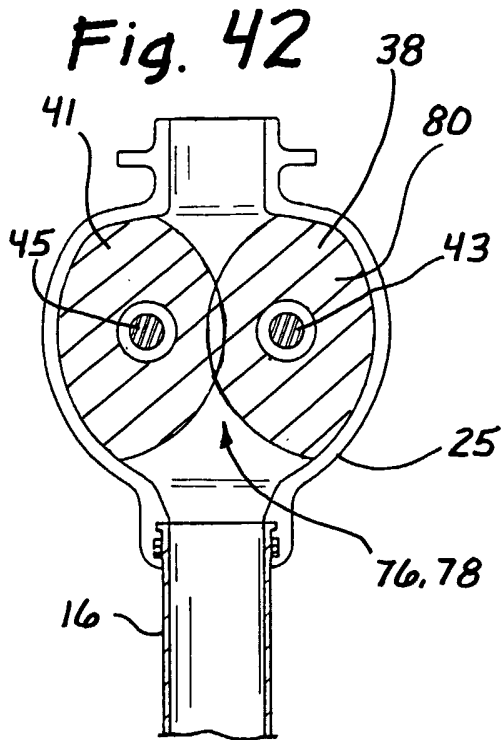
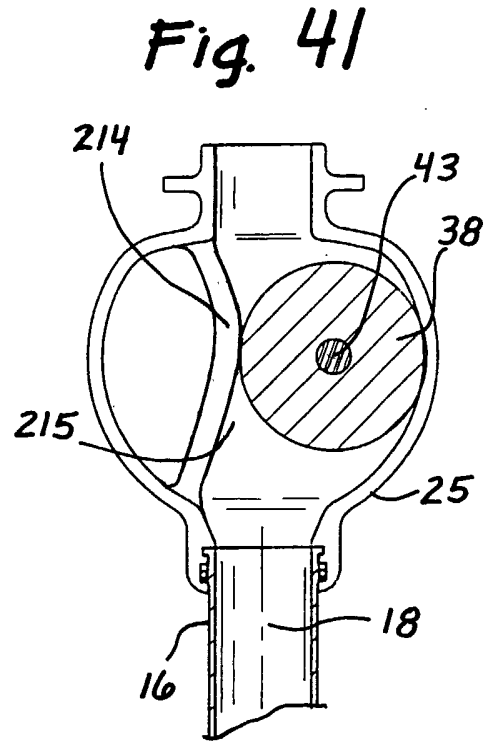
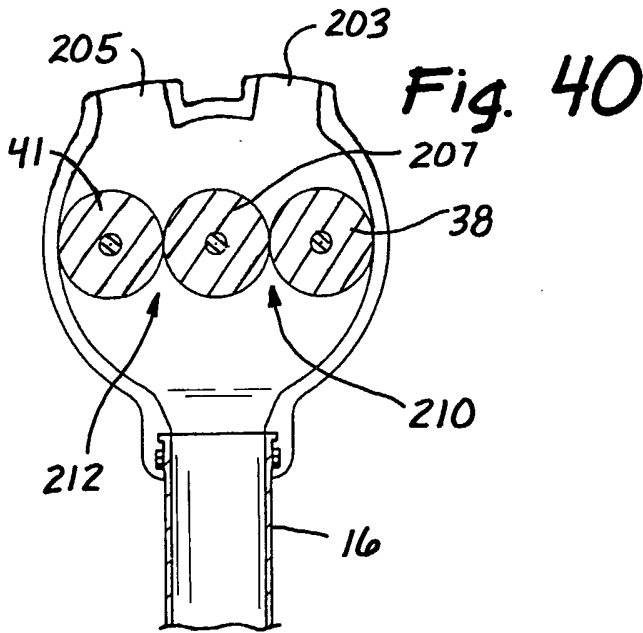


Fig. 38





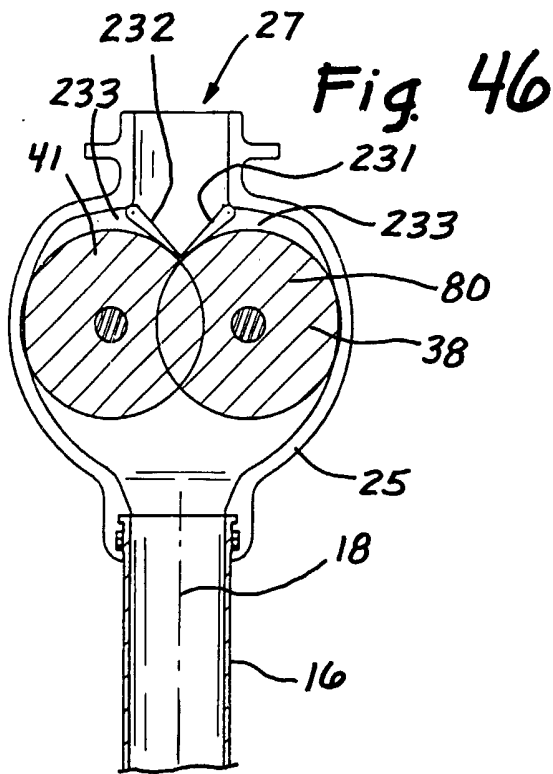
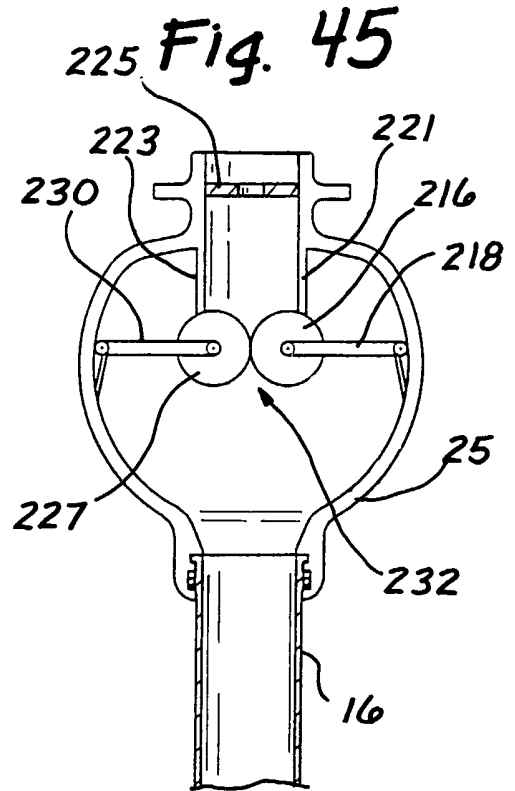
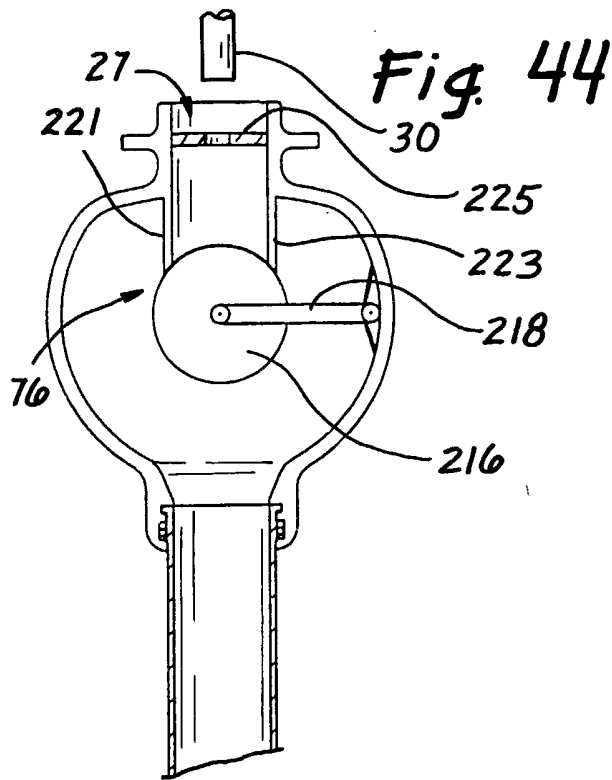
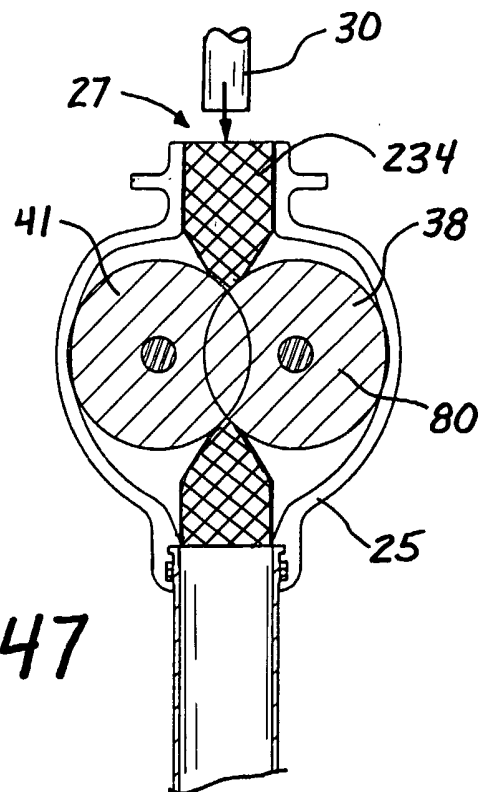


Fig. 47



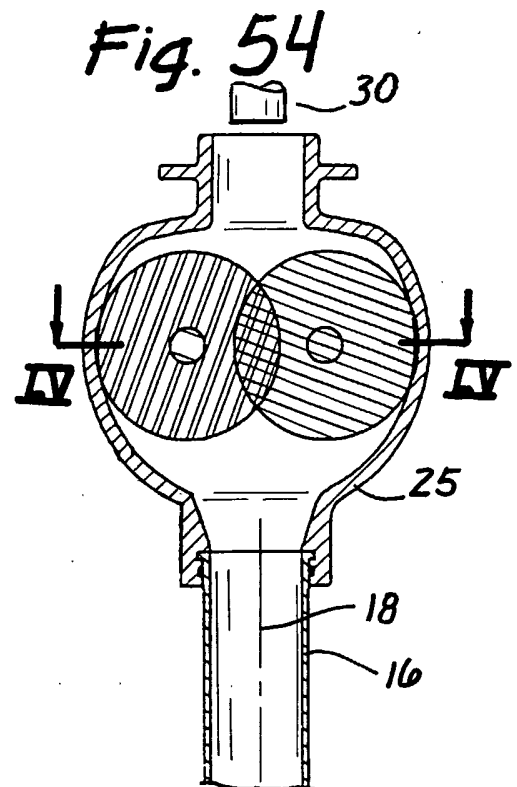
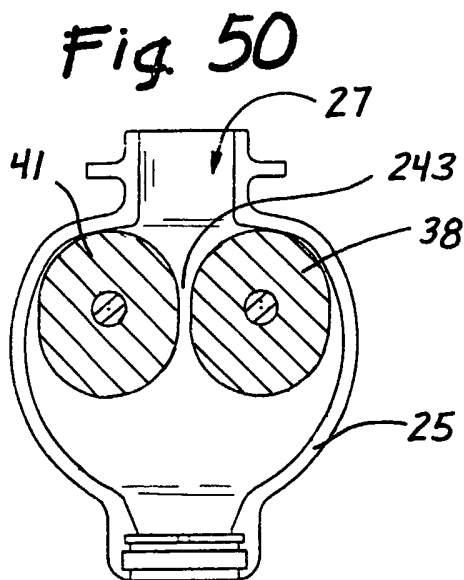
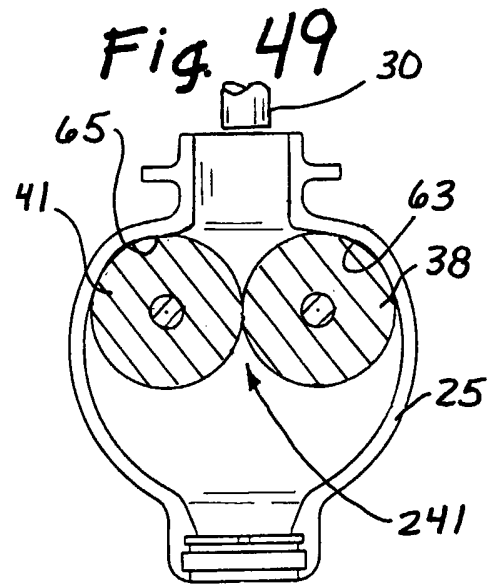
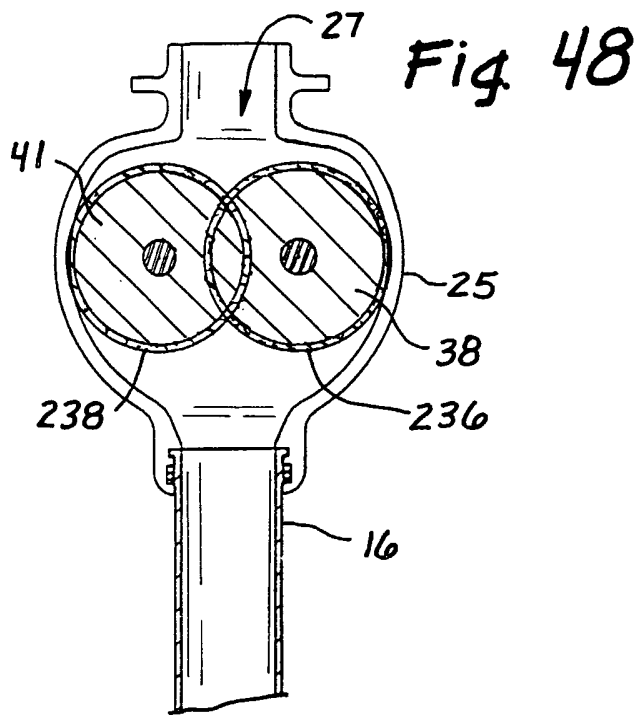
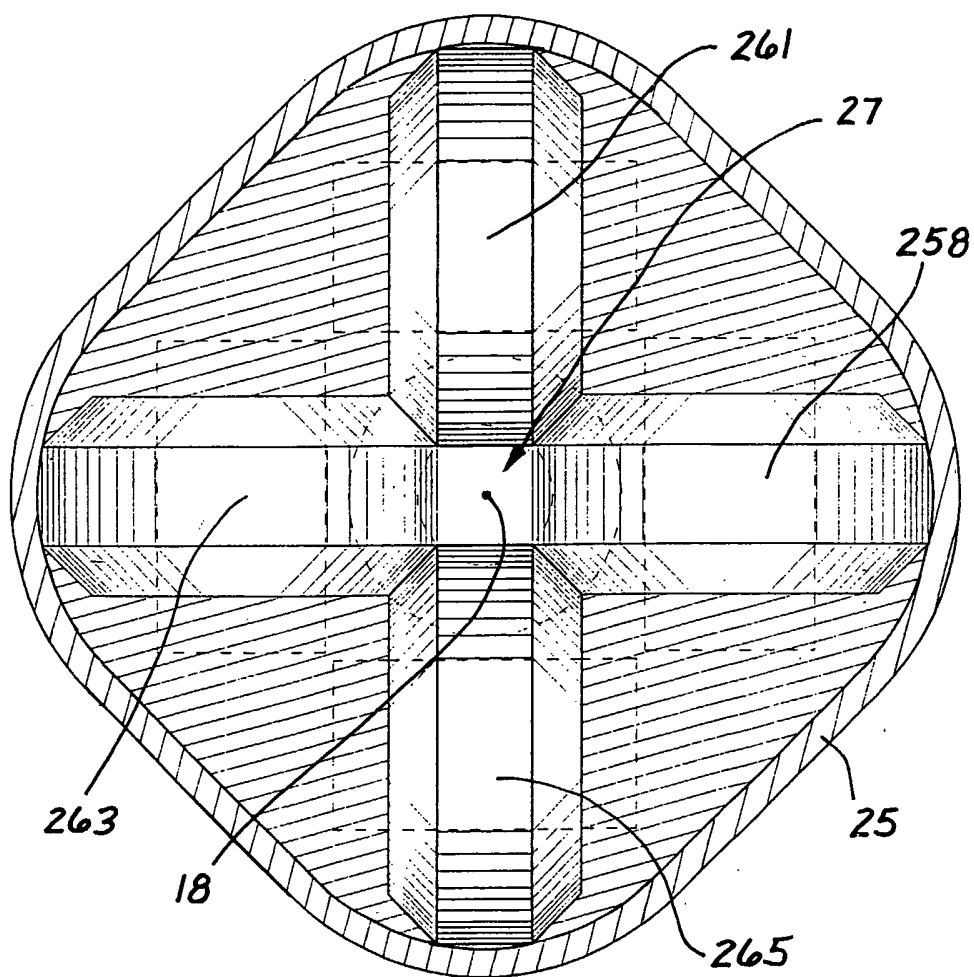


Fig. 55



INTERNATIONAL SEARCH REPORT

International application No.

PCT/US02/15696

A. CLASSIFICATION OF SUBJECT MATTER

IPC(7) : A61M 05/00
 US CL : 606/108

According to International Patent Classification (IPC) or to both national classification and IPC

B. FIELDS SEARCHED

Minimum documentation searched (classification system followed by classification symbols)
 U.S. : 606/108; 604/164.01, 164.11, 167.01, 167.06, 246, 256, 264

Documentation searched other than minimum documentation to the extent that such documents are included in the fields searched

Electronic data base consulted during the international search (name of data base and, where practicable, search terms used)
 EAST search of EPO, JPO, USPAT, USPGPUBs & Derwent: zero seal, seal, roller, trocar

C. DOCUMENTS CONSIDERED TO BE RELEVANT

Category *	Citation of document, with indication, where appropriate, of the relevant passages	Relevant to claim No.
X --- Y	US 5,599,348 A (Gentelia et al.) 04 February 1997 (02.04.1997) Figs. 1-5.	1, 2, 4, 5, 7-10, 12, 14-15, 17-19, 21-26, 30, 31, 47-53, 56, 57 & 64-66 ----- 6
Y	US 6,206,861 B1 (Mayer) 27 March 2001 (27.03.2001) Figs. 5 & 7.	6
A	US 5,522,831 A (Sleister et al.) 04 June 1996 (04.06.1996) Figs. 1 & 7-9	1-67
A	US 5,308,336 A (Hart et al.) 03 May 1994 (03.05.1994), Figs. 1, 7 & 8.	1-67

Further documents are listed in the continuation of Box C.

See patent family annex.

* Special categories of cited documents:	"T" later document published after the international filing date or priority date and not in conflict with the application but cited to understand the principle or theory underlying the invention
"A" document defining the general state of the art which is not considered to be of particular relevance	"X" document of particular relevance; the claimed invention cannot be considered novel or cannot be considered to involve an inventive step when the document is taken alone
"E" earlier application or patent published on or after the international filing date	"Y" document of particular relevance; the claimed invention cannot be considered to involve an inventive step when the document is combined with one or more other such documents, such combination being obvious to a person skilled in the art
"L" document which may throw doubts on priority claim(s) or which is cited to establish the publication date of another citation or other special reason (as specified)	"&" document member of the same patent family
"O" document referring to an oral disclosure, use, exhibition or other means	
"P" document published prior to the international filing date but later than the priority date claimed	

Date of the actual completion of the international search

09 August 2002 (09.08.2002)

Date of mailing of the international search report

28 JAN 2003

Name and mailing address of the ISA/US
 Commissioner of Patents and Trademarks
 Box PCT
 Washington, D.C. 20231

Facsimile No. (703)305-3230

Authorized officer

Nick Lucchesi

Telephone No. (703) 308-1148