

[54] **HIGHWAY MEDIAN STRIP DIVIDER**

[76] **Inventor: John A. DeRiu, 39 Joy Rd., Middlebury, Conn. 06762**

[**] **Term: 14 Years**

[21] **Appl. No.: 892,403**

[22] **Filed: Aug. 4, 1986**

[52] **U.S. Cl. D25/44**

[58] **Field of Search D25/38, 46, 43; 256/13.1, 14, 17, 19, 21**

[56] **References Cited**

U.S. PATENT DOCUMENTS

D. 41,708	8/1911	Luten	D25/38
1,791,680	2/1931	Miller	256/21 X
3,141,655	7/1964	Platt	256/13.1 X

4,183,505 1/1980 Maestri 256/19 X

Primary Examiner—A. Hugo Word
Attorney, Agent, or Firm—William C. Crutcher

[57] **CLAIM**

The ornamental design for a highway median strip divider, as shown and described.

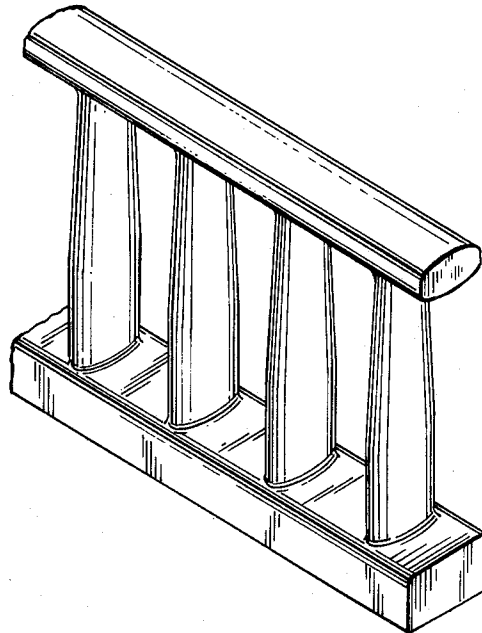
DESCRIPTION

FIG. 1 is an enlarged perspective view of a section of the highway median strip divider shown in FIG. 3, showing my new design;

FIG. 2 is a top plan view of the highway median strip divider,

FIG. 3 is a side elevational view thereof, the other side being identical, and

FIG. 4 is an end elevational view thereof, the other end being identical.



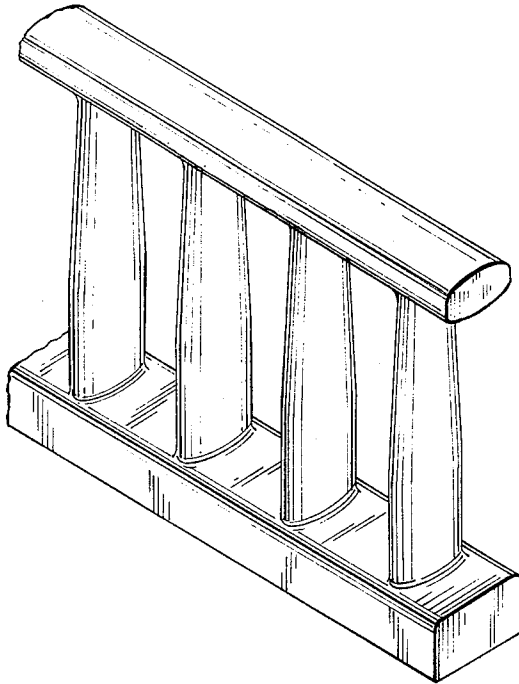


FIG. 1

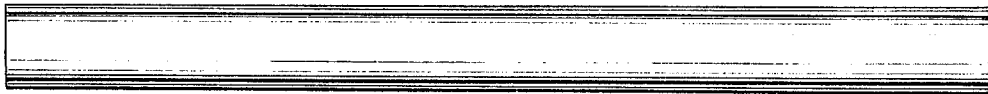


FIG. 2

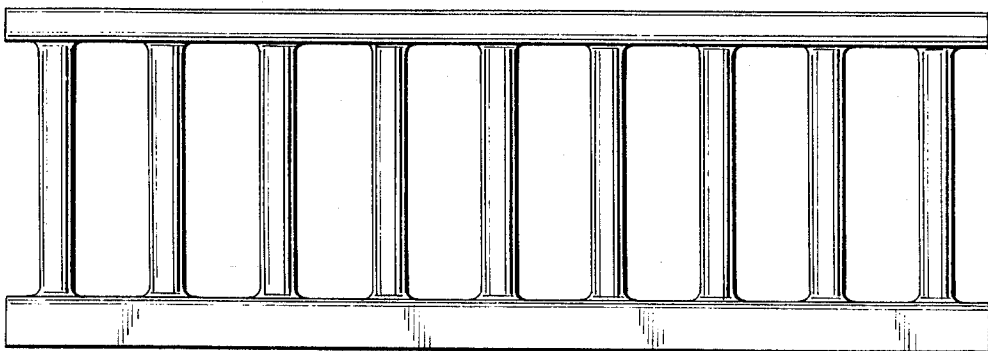


FIG. 3

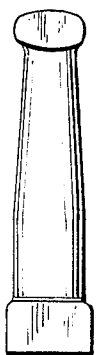


FIG. 4