



US00D604642S

(12) **United States Design Patent**
Di Robilant et al.

(10) **Patent No.:** **US D604,642 S**

(45) **Date of Patent:** **** Nov. 24, 2009**

(54) **CONTAINER**

(75) Inventors: **Maurizio Di Robilant**, Milan (IT);
Giuliano Dell'Orto, Milan (IT)

(73) Assignee: **Illycaffè S.p.A.**, Trieste (IT)

(**) Term: **14 Years**

(21) Appl. No.: **29/274,757**

(22) Filed: **May 21, 2007**

(30) **Foreign Application Priority Data**

Dec. 4, 2006 (EM) 000631999

(51) **LOC (9) Cl.** **09-02**

(52) **U.S. Cl.** **D9/780**

(58) **Field of Classification Search** D9/780,
D9/763, 772, 503, 500, 504, 501, 502, 633;
D34/39; 215/40-46, 200, 329, 331, 335;
220/689, 906

See application file for complete search history.

(56) **References Cited**

U.S. PATENT DOCUMENTS

D29,180 S *	8/1898	Diesel	D9/780
D44,463 S *	8/1913	Ackermann	D9/780
D56,710 S *	11/1920	Rinschler, Jr.	D9/780
D122,041 S *	8/1940	Baer	D9/780
3,044,610 A *	7/1962	Tupper	220/270
3,090,537 A *	5/1963	Pasciak	220/367.1
D226,063 S *	1/1973	Warnberg	D9/503
D246,029 S *	10/1977	Lynn et al.	D9/780
D276,139 S *	10/1984	Rayner	D9/780
D278,121 S *	3/1985	Sussman	D9/504
D321,318 S *	11/1991	Gunter	D9/780
D321,477 S *	11/1991	Gunter	D9/503
D322,753 S *	12/1991	Sussman	D9/504
D381,582 S *	7/1997	Bolton	D9/780
D424,431 S *	5/2000	Suzuki	D3/301

D515,928 S *	2/2006	Pace	D9/504
D516,915 S *	3/2006	Gaines	D9/502
D523,752 S *	6/2006	Bried et al.	D9/504
D530,208 S *	10/2006	Danne et al.	D9/504
D531,036 S *	10/2006	Bried et al.	D9/504
D534,807 S *	1/2007	Smay et al.	D9/558
D537,882 S *	3/2007	McKnight	D19/85
H2217 H *	6/2008	Smay et al.	D9/503
D585,305 S *	1/2009	Alvares et al.	D9/780

* cited by examiner

Primary Examiner—Stella M Reid

Assistant Examiner—Mark A Goodwin

(74) *Attorney, Agent, or Firm*—Modiano & Associati; Albert Josif; Daniel J. O'Byrne

(57) **CLAIM**

The ornamental design for a container, as shown and described.

DESCRIPTION

FIG. 1 is a top perspective view of a container showing our new design;

FIG. 2 is a side view thereof, the opposite side being a mirror image thereof;

FIG. 3 is a bottom perspective view thereof;

FIG. 4 is a top plan view thereof;

FIG. 5 is a bottom plan view thereof;

FIG. 6 is a top perspective view of a second embodiment of a container showing our new design;

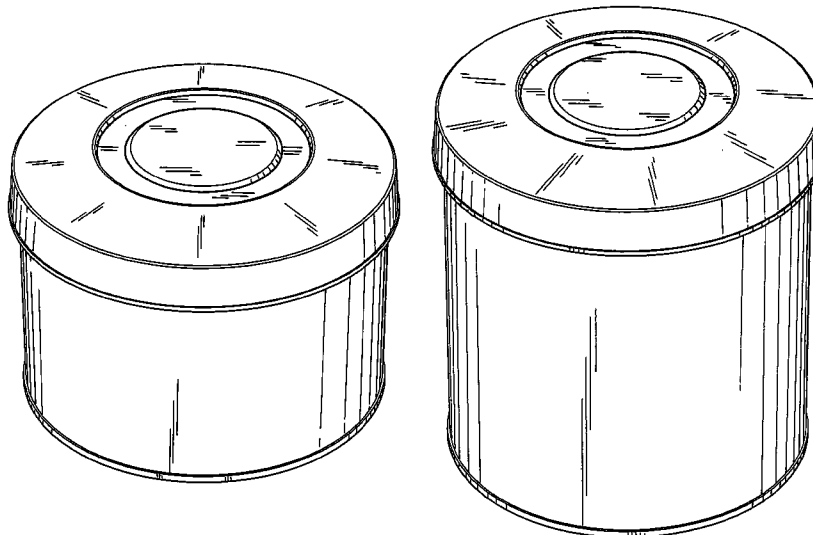
FIG. 7 is a side view thereof, the opposite side being a mirror image thereof;

FIG. 8 is a bottom perspective view thereof;

FIG. 9 is a top plan view thereof; and,

FIG. 10 is a bottom plan view thereof.

1 Claim, 10 Drawing Sheets



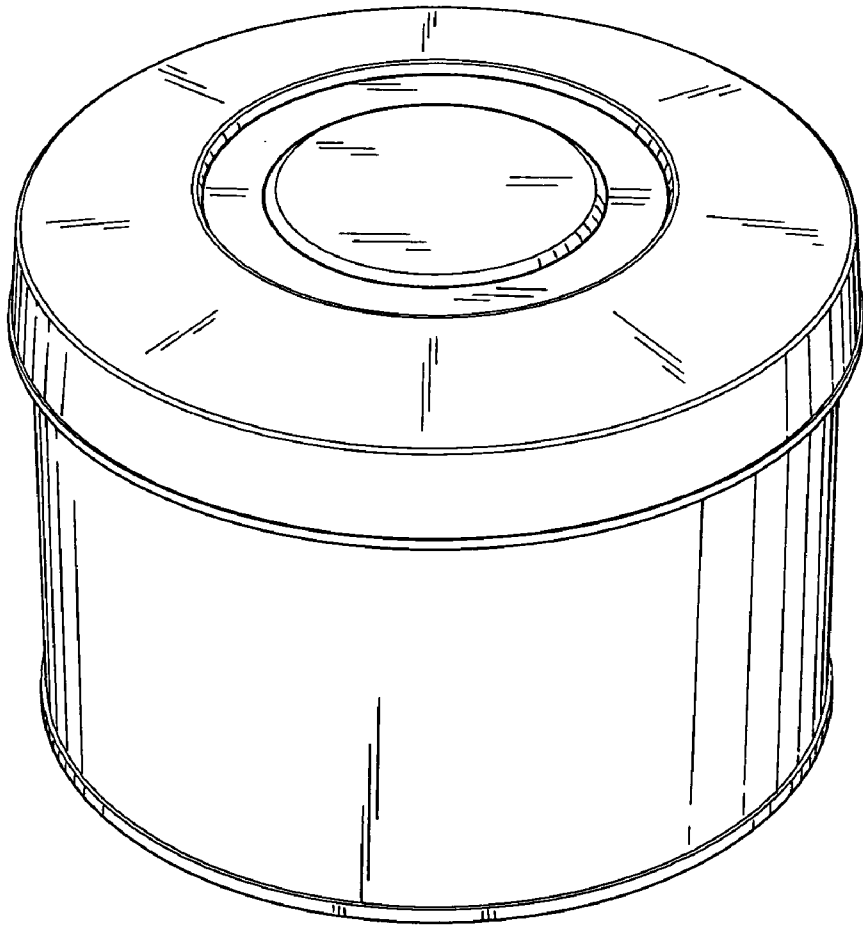


Fig. 1

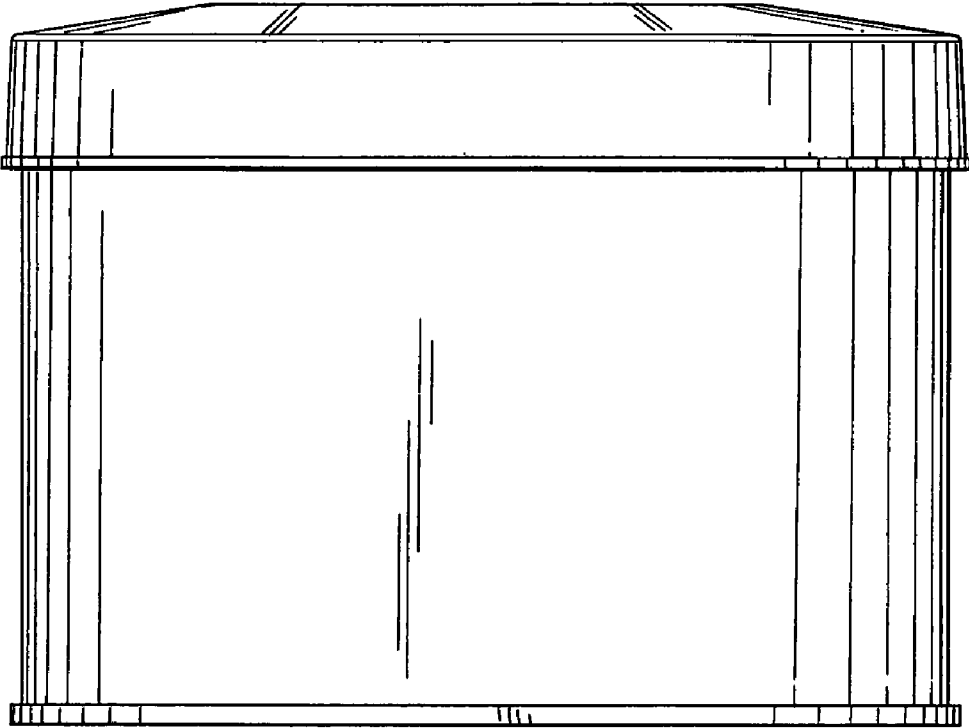


Fig. 2

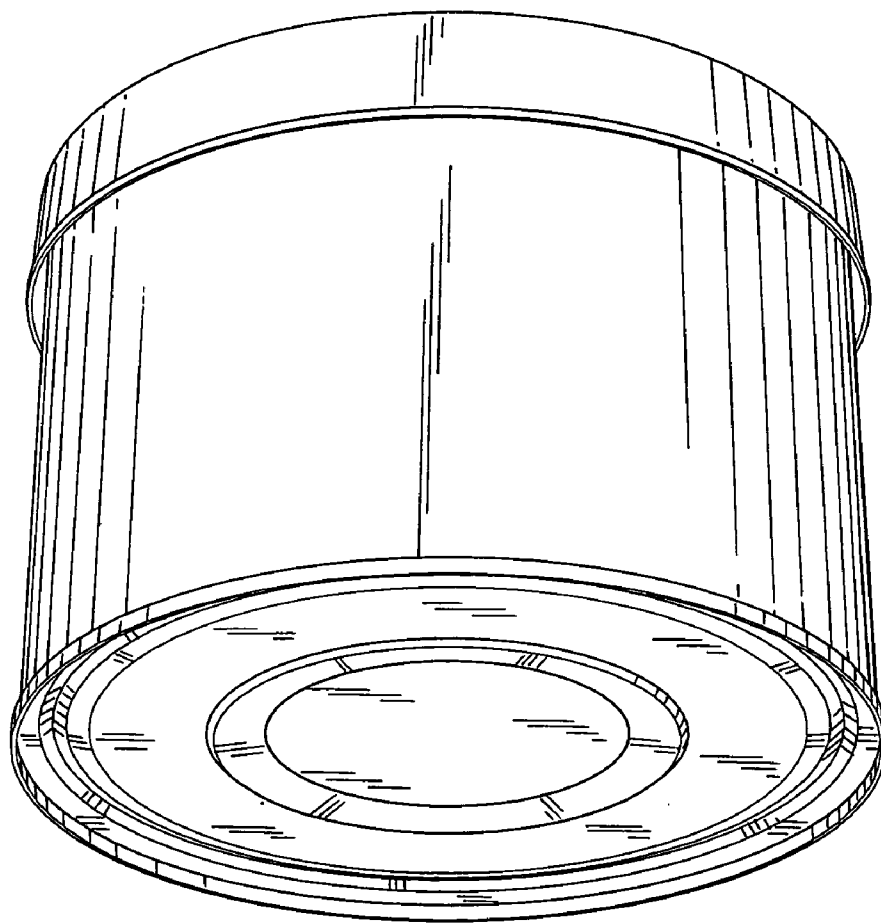


Fig. 3

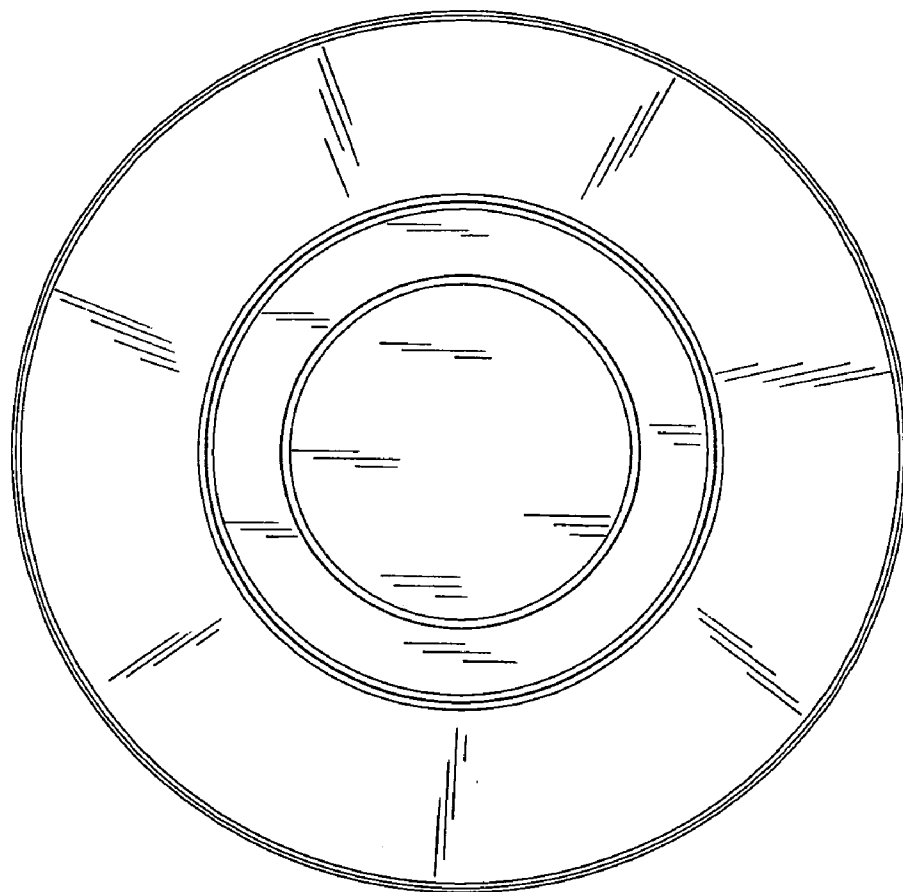


Fig. 4

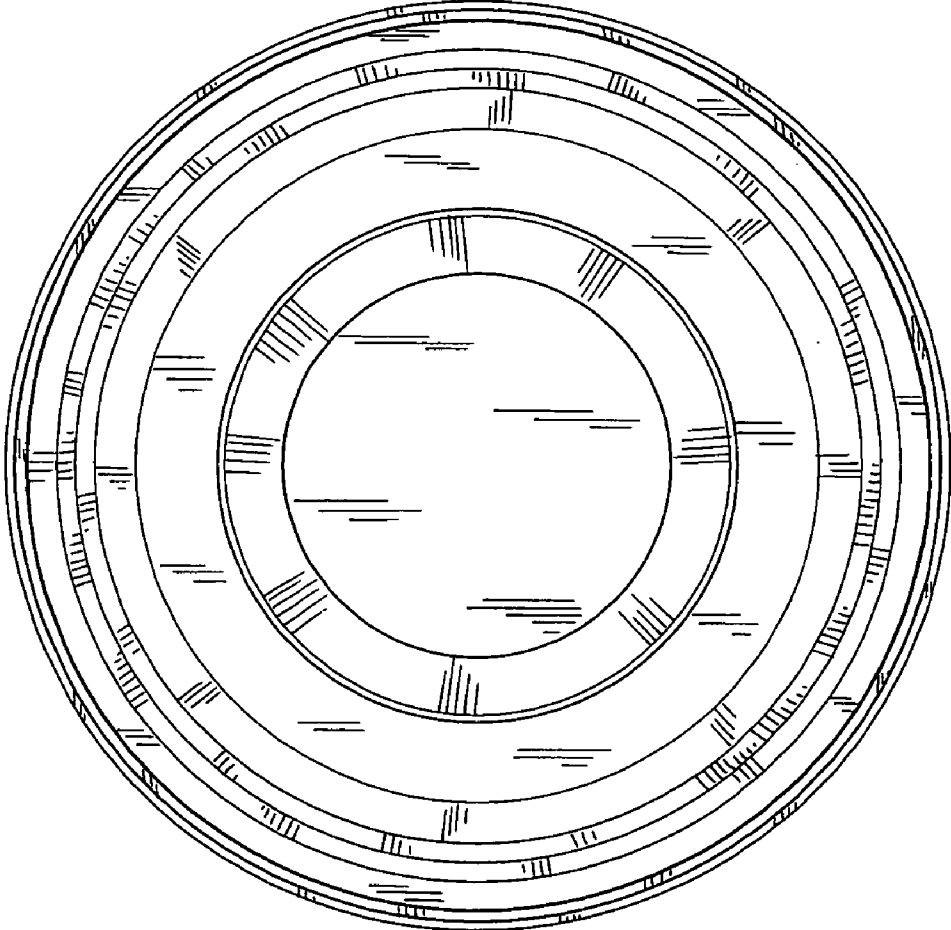


Fig. 5

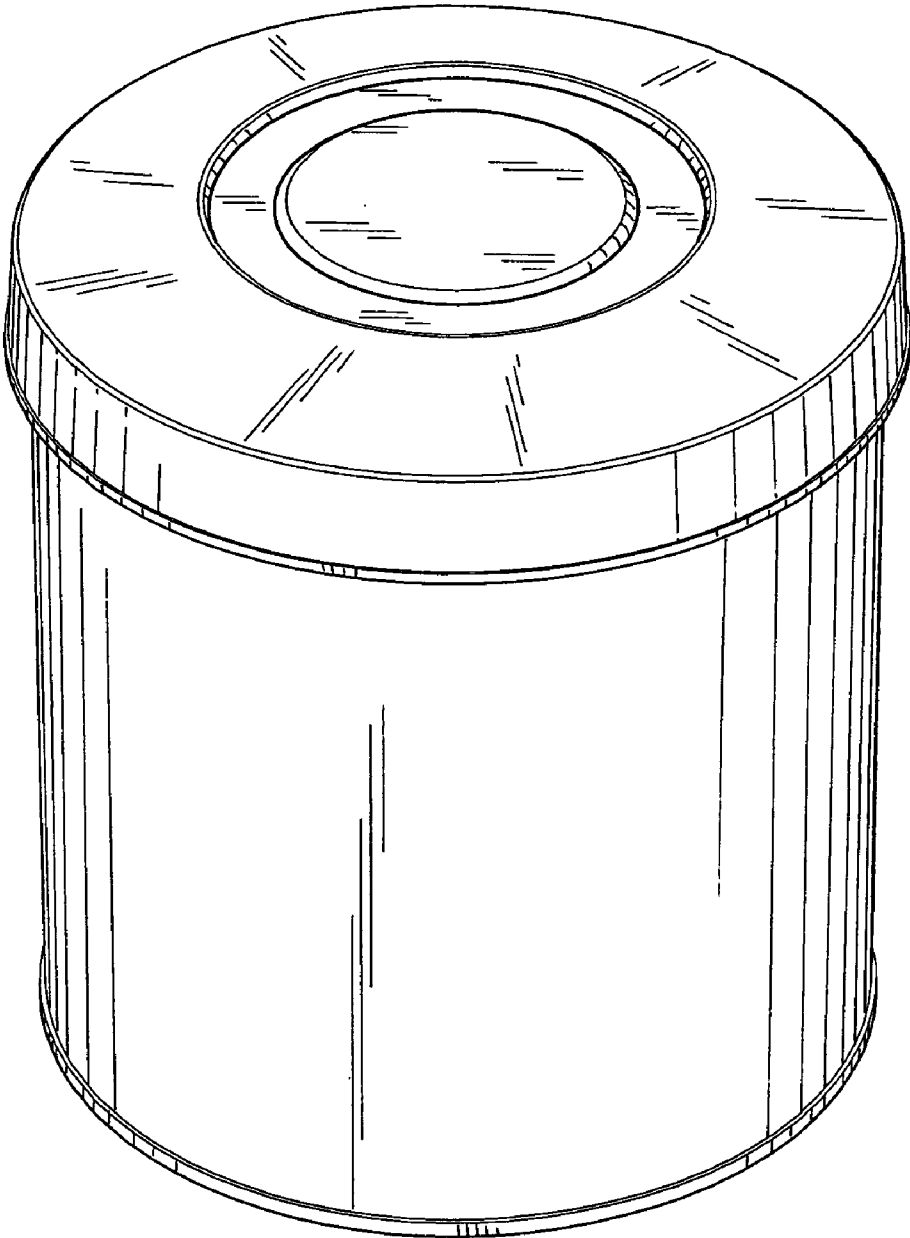


Fig. 6

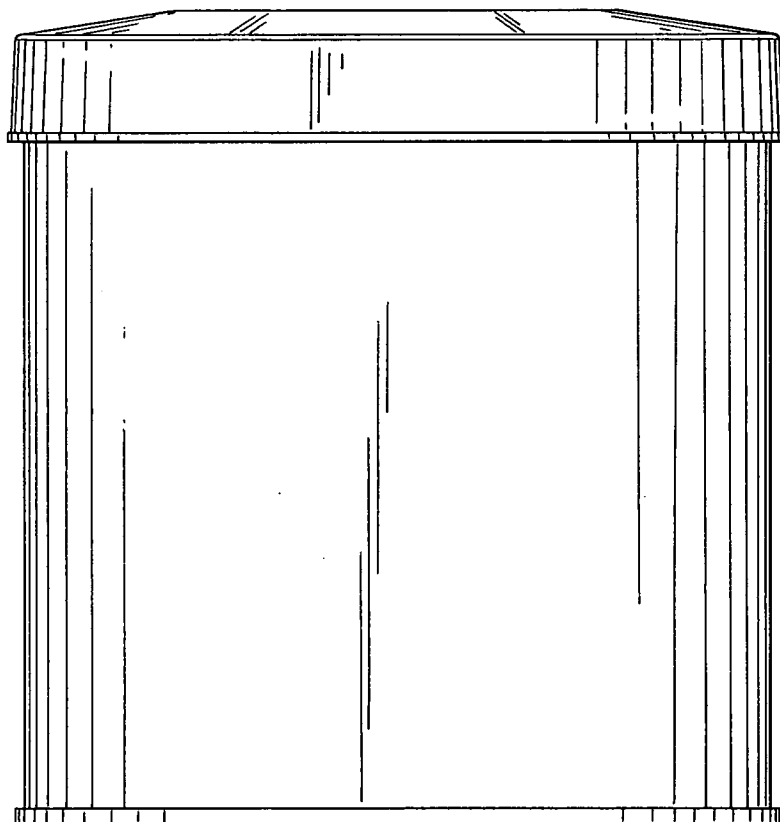


Fig. 7

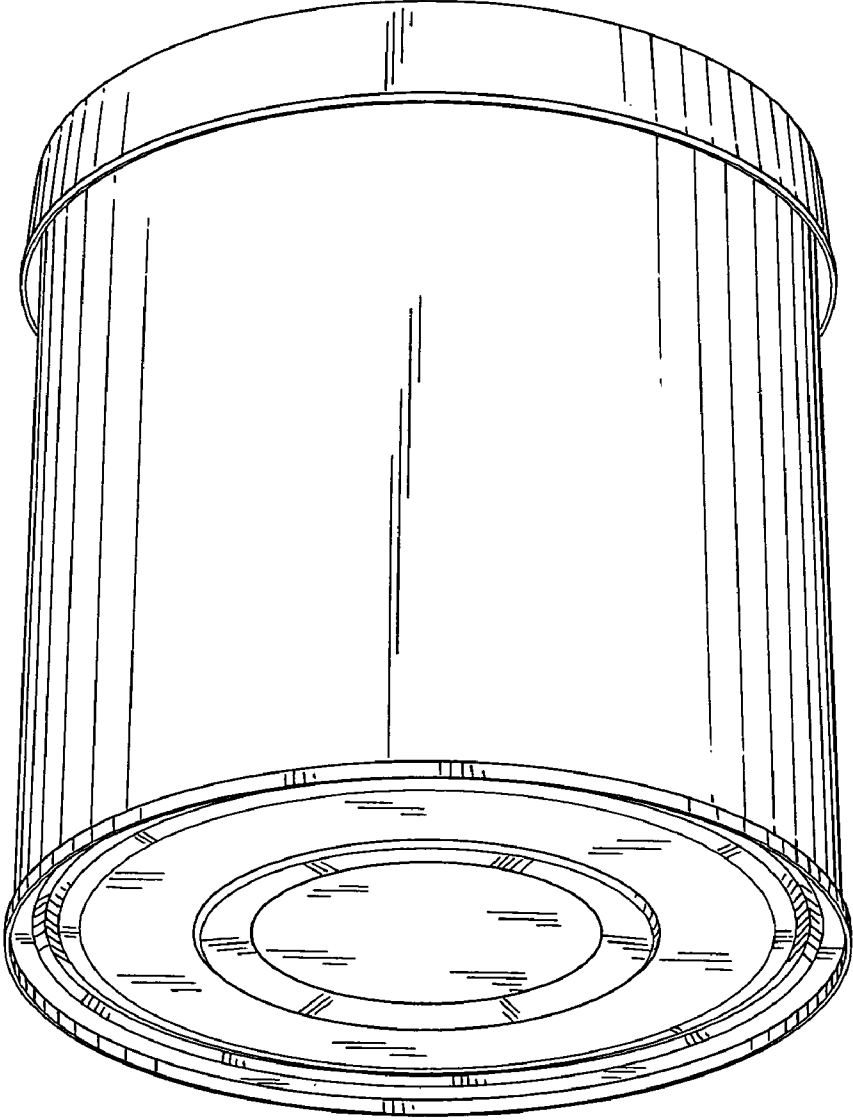


Fig. 8

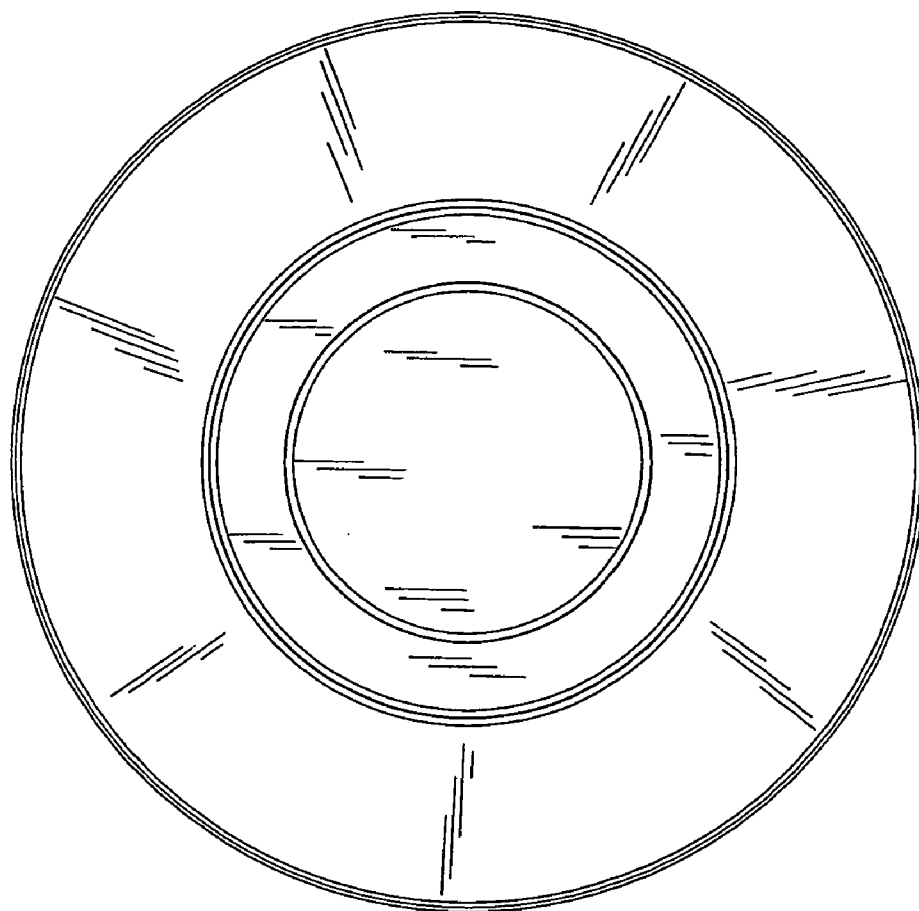


Fig. 9

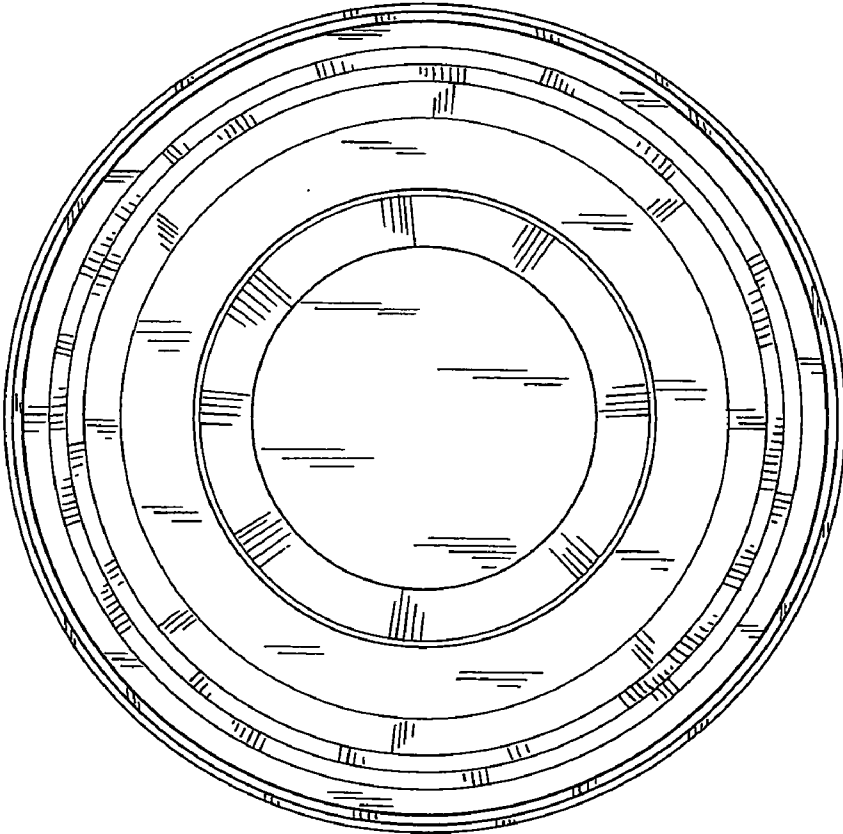


Fig. 10