

(19) World Intellectual Property Organization
International Bureau



(43) International Publication Date
23 November 2006 (23.11.2006)

PCT

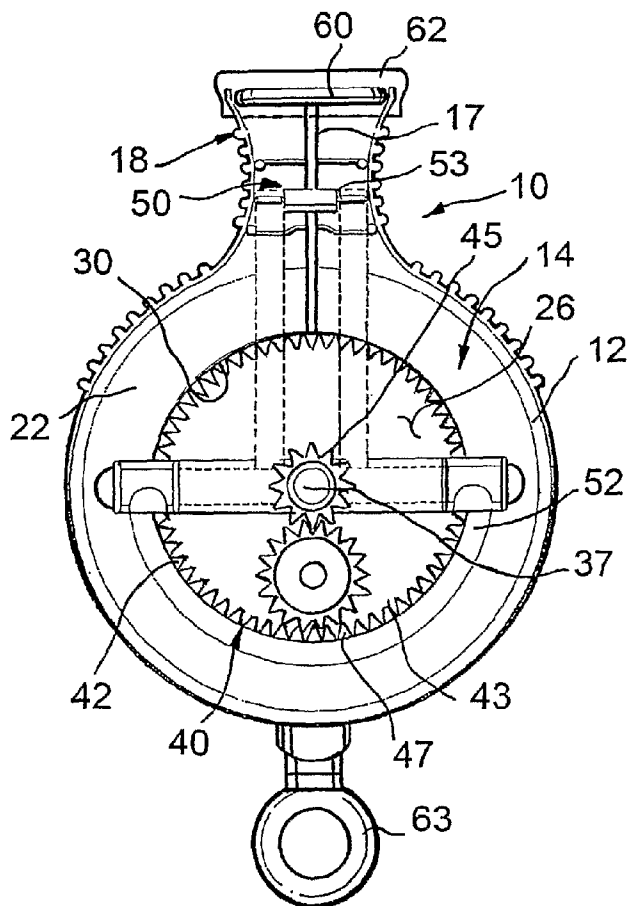
(10) International Publication Number
WO 2006/124979 A3

- (51) International Patent Classification:
B65H 75/30 (2006.01)
- (21) International Application Number:
PCT/US2006/019050
- (22) International Filing Date: 18 May 2006 (18.05.2006)
- (25) Filing Language: English
- (26) Publication Language: English
- (30) Priority Data:
60/683,107 18 May 2005 (18.05.2005) US
- (71) Applicant (for all designated States except US): **SPI-DESCAPE PARTNERS LLC** [US/US]; 9227 E LINCOLN AVE, Suite 200, Lone Tree, CO 80124 (US).
- (72) Inventors; and
- (75) Inventors/Applicants (for US only): **WOOSTER, Peter, C.** [US/US]; 9044 E Larkspur Dr, Scottsdale, AZ 85260 (US). **BLUE, Kenneth, L.** [US/US]; 7349 Via Paseo Del Sur, Suite 193, Scottsdale, AZ 85258 (US). **FALZ, Jay, K.** [US/US]; 2950 W Kiltie Ln, Flagstaff, AZ 86001 (US).

- MCLAIN, Robert, P.** [US/US]; 840 W Spring Valley Rd, Dayton, OH 45458 (US). **RAE, Shain, K.** [US/US]; 7587 S Duquesne Ct, Aurora, CO (US).
- (74) Agent: **PARSONS, Robert, A.**; 4000 N Central Ave, Suite 1220, Phoenix, AZ 85012 (US).
- (81) Designated States (unless otherwise indicated, for every kind of national protection available): AE, AG, AL, AM, AT, AU, AZ, BA, BB, BG, BR, BW, BY, BZ, CA, CH, CN, CO, CR, CU, CZ, DE, DK, DM, DZ, EC, EE, EG, ES, FI, GB, GD, GE, GH, GM, HR, HU, ID, IL, IN, IS, JP, KE, KG, KM, KN, KP, KR, KZ, LC, LK, LR, LS, LT, LU, LV, LY, MA, MD, MG, MK, MN, MW, MX, MZ, NA, NG, NI, NO, NZ, OM, PG, PH, PL, PT, RO, RU, SC, SD, SE, SG, SK, SL, SM, SY, TJ, TM, TN, TR, TT, TZ, UA, UG, US, UZ, VC, VN, YU, ZA, ZM, ZW.
- (84) Designated States (unless otherwise indicated, for every kind of regional protection available): ARIPO (BW, GH, GM, KE, LS, MW, MZ, NA, SD, SL, SZ, TZ, UG, ZM, ZW), Eurasian (AM, AZ, BY, KG, KZ, MD, RU, TJ, TM), European (AT, BE, BG, CH, CY, CZ, DE, DK, EE, ES, FI,

[Continued on next page]

(54) Title: DESCENT DEVICE



(57) Abstract: A descent device for lowering an individual includes a housing and a spool rotatably carried by the housing. The spool includes a barrel defining an interior volume and is adapted to receive a length of high tensile strength line. A centrifugal brake is carried within the barrel and a gear assembly couples the spool to the centrifugal brake for rotation of the centrifugal brake with the spool.

WO 2006/124979 A3



FR, GB, GR, HU, IE, IS, IT, LT, LU, LV, MC, NL, PL, PT, RO, SE, SI, SK, TR), OAPI (BF, BJ, CF, CG, CI, CM, GA, GN, GQ, GW, ML, MR, NE, SN, TD, TG).

For two-letter codes and other abbreviations, refer to the "Guidance Notes on Codes and Abbreviations" appearing at the beginning of each regular issue of the PCT Gazette.

Published:

- *with international search report*
- *before the expiration of the time limit for amending the claims and to be republished in the event of receipt of amendments*

(88) Date of publication of the international search report:

8 November 2007

INTERNATIONAL SEARCH REPORT

International application No.

PCT/US 06/19050

A. CLASSIFICATION OF SUBJECT MATTER IPC(8): B65H 75/30 (2007.01) USPC: 242/381.5 According to International Patent Classification (IPC) or to both national classification and IPC		
B. FIELDS SEARCHED Minimum documentation searched (classification system followed by classification symbols) USPC: 242/381.5, 381, 371, 381.6; 182/239, 240 Documentation searched other than minimum documentation to the extent that such documents are included in the fields searched USPC: 242/381.5, 381, 371, 381.6; 182/239, 240; and search terms listed below Electronic data base consulted during the international search (name of data base and, where practicable, search terms used) PubWest (PGPB,USPT,USOC,EPAB,JPAB; PLUR=YES; OP=ADJ); Google Scholar Search terms: (abseiling or rappelling or descent or descend or descending or fall), (safety or emergency or protection or escape or escaping), centrifugal and brake and gear		
C. DOCUMENTS CONSIDERED TO BE RELEVANT		
Category*	Citation of document, with indication, where appropriate, of the relevant passages	Relevant to claim No.
X --- Y	US 2004/0065508 A1 (AVOTS et al.) 08 April 2004 (08.04.2004), entire document.	1-4, 6-10, and 12-18 ----- 5 and 11
Y	US 2005/0039981 A1 (WOOSTER et al.) 24 February 2005 (24.02.2005), entire document.	5 and 11
A	US 5,447,280 A (FEATHERS) 05 September 1995 (05.09.1995), entire document.	1-18
<input type="checkbox"/> Further documents are listed in the continuation of Box C. <input type="checkbox"/>		
* Special categories of cited documents: "A" document defining the general state of the art which is not considered to be of particular relevance "E" earlier application or patent but published on or after the international filing date "L" document which may throw doubts on priority claim(s) or which is cited to establish the publication date of another citation or other special reason (as specified) "O" document referring to an oral disclosure, use, exhibition or other means "P" document published prior to the international filing date but later than the priority date claimed "T" later document published after the international filing date or priority date and not in conflict with the application but cited to understand the principle or theory underlying the invention "X" document of particular relevance, the claimed invention cannot be considered novel or cannot be considered to involve an inventive step when the document is taken alone "Y" document of particular relevance; the claimed invention cannot be considered to involve an inventive step when the document is combined with one or more other such documents, such combination being obvious to a person skilled in the art "&" document member of the same patent family		
Date of the actual completion of the international search 28 June 2007 (28.06.2007)		Date of mailing of the international search report 13 SEP 2007
Name and mailing address of the ISA/US Mail Stop PCT, Attn: ISA/US, Commissioner for Patents P.O. Box 1450, Alexandria, Virginia 22313-1450 Facsimile No 571-273-3201		Authorized officer: Lee W. Young PCT Helpdesk: 571-272-4300 PCT OSP: 571-272-7774

