



US00D760817S

(12) **United States Design Patent**
Nanno et al.

(10) **Patent No.:** **US D760,817 S**

(45) **Date of Patent:** **** Jul. 5, 2016**

(54) **SEWING MACHINE**

(71) Applicant: **BROTHER INDUSTRIES, LTD.**,
Nagoya-shi, Aichi-ken (JP)

(72) Inventors: **Ai Nanno**, Nagoya (JP); **Masahide Asano**, Nagoya (JP)

(73) Assignee: **BROTHER INDUSTRIES, LTD.**,
Nagoya (JP)

(**) Term: **14 Years**

(21) Appl. No.: **29/522,142**

(22) Filed: **Mar. 27, 2015**

(51) **LOC (10) Cl.** **15-06**

(52) **U.S. Cl.**
USPC **D15/69**

(58) **Field of Classification Search**
USPC D15/66-78
CPC D05B 1/00-21/00; D05B 75/06
See application file for complete search history.

D372,720 S *	8/1996	Hattori	D15/69
D377,357 S *	1/1997	Tseng	D15/69
D392,294 S *	3/1998	Kato	D15/69
D450,721 S *	11/2001	Kawaguchi	D15/69
D462,368 S *	9/2002	Kuroki	D15/69
D465,793 S *	11/2002	Takada	D15/69
D478,337 S *	8/2003	Kuroki	D15/69
D478,916 S *	8/2003	Kuroki	D15/69
D482,702 S *	11/2003	Kawaguchi	D15/69
D521,027 S *	5/2006	Hosoi	D15/66
D521,534 S *	5/2006	Kawaguchi	D15/69
D524,828 S *	7/2006	Kuroki	D15/69
D553,650 S *	10/2007	Muto	D15/69
D555,176 S *	11/2007	Ogawa	D15/69
D632,706 S *	2/2011	Hattori	D15/69
D648,757 S *	11/2011	Muto	D15/69
D700,634 S *	3/2014	Saitou	D15/69
D719,985 S *	12/2014	Tseng	D15/69

* cited by examiner

Primary Examiner — Mitchell Siegel

(74) Attorney, Agent, or Firm — Oliff PLC

(57) **CLAIM**

The ornamental design for a sewing machine, as shown and described.

(56) **References Cited**

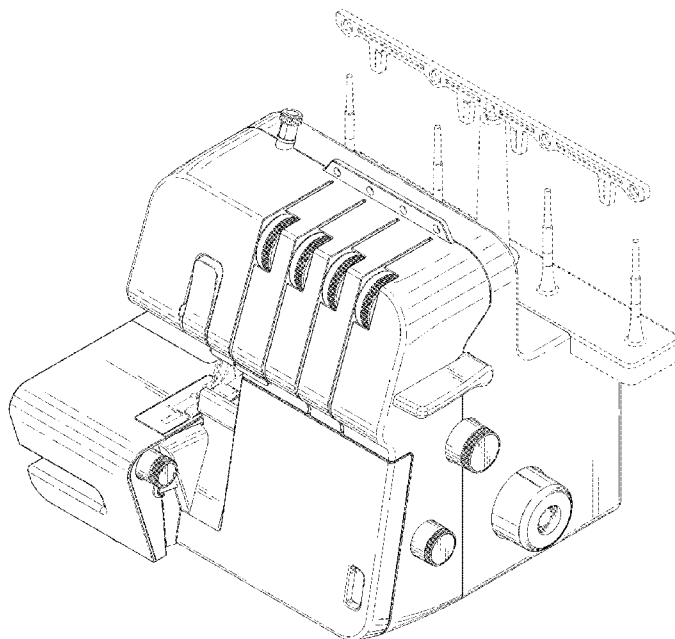
U.S. PATENT DOCUMENTS

D267,881 S *	2/1983	Current	D15/68
4,407,211 A *	10/1983	Kiyoshima	D05B 1/20 112/260
D278,823 S *	5/1985	Yoneda	D15/69
D292,928 S *	11/1987	Lo	D15/69
D298,044 S *	10/1988	Sekiguchi	D15/69
D307,024 S *	4/1990	Itoh	D15/69
D309,739 S *	8/1990	Itoh	D15/69
D321,518 S *	11/1991	Uchida	D15/69
D338,021 S *	8/1993	Uchida	D15/69
D338,022 S *	8/1993	Takada	D15/69

DESCRIPTION

FIG. 1 is a perspective view of a sewing machine;
FIG. 2 is a front view thereof;
FIG. 3 is a top view thereof;
FIG. 4 is a right-side view thereof;
FIG. 5 is a left-side view thereof;
FIG. 6 is a rear view thereof; and,
FIG. 7 is a bottom view thereof.
The broken lines depict environmental subject matter only
and form no part of the claimed design.

1 Claim, 7 Drawing Sheets



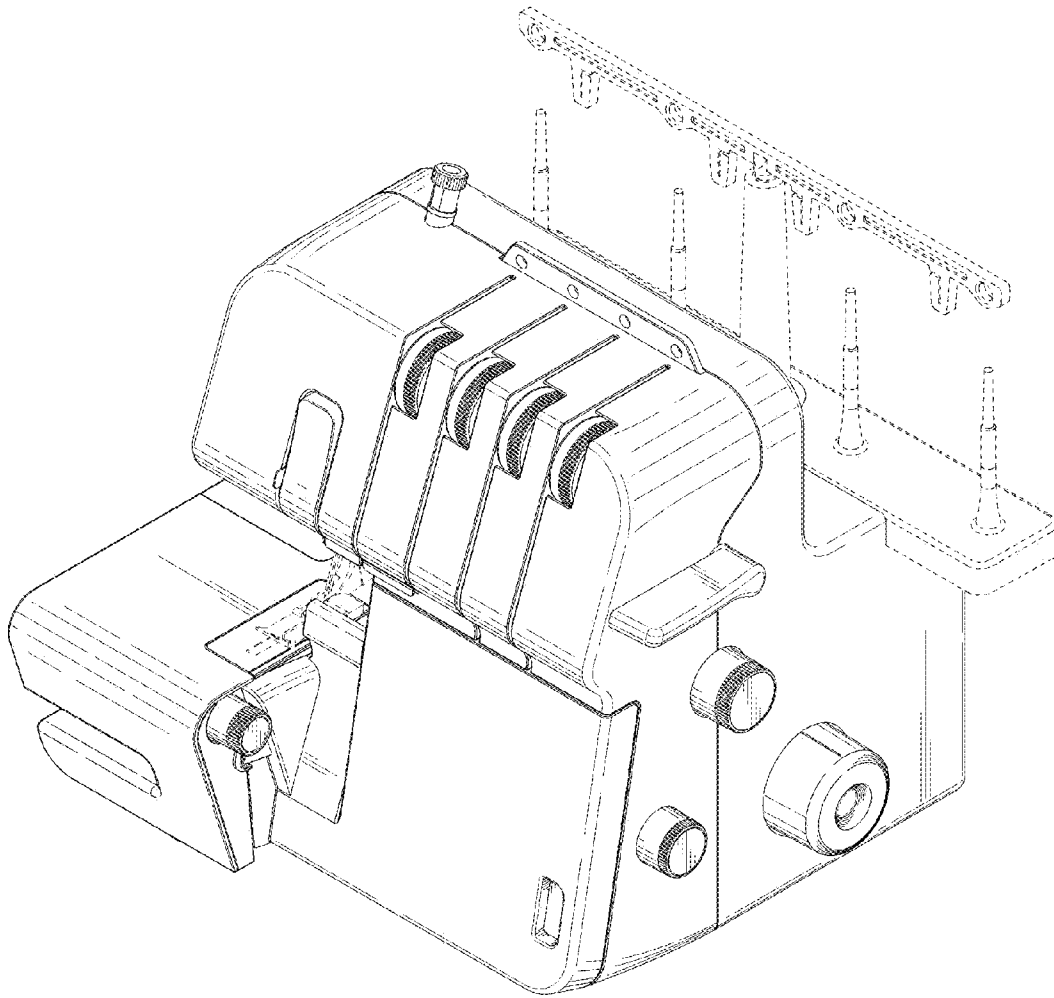


FIG. 1

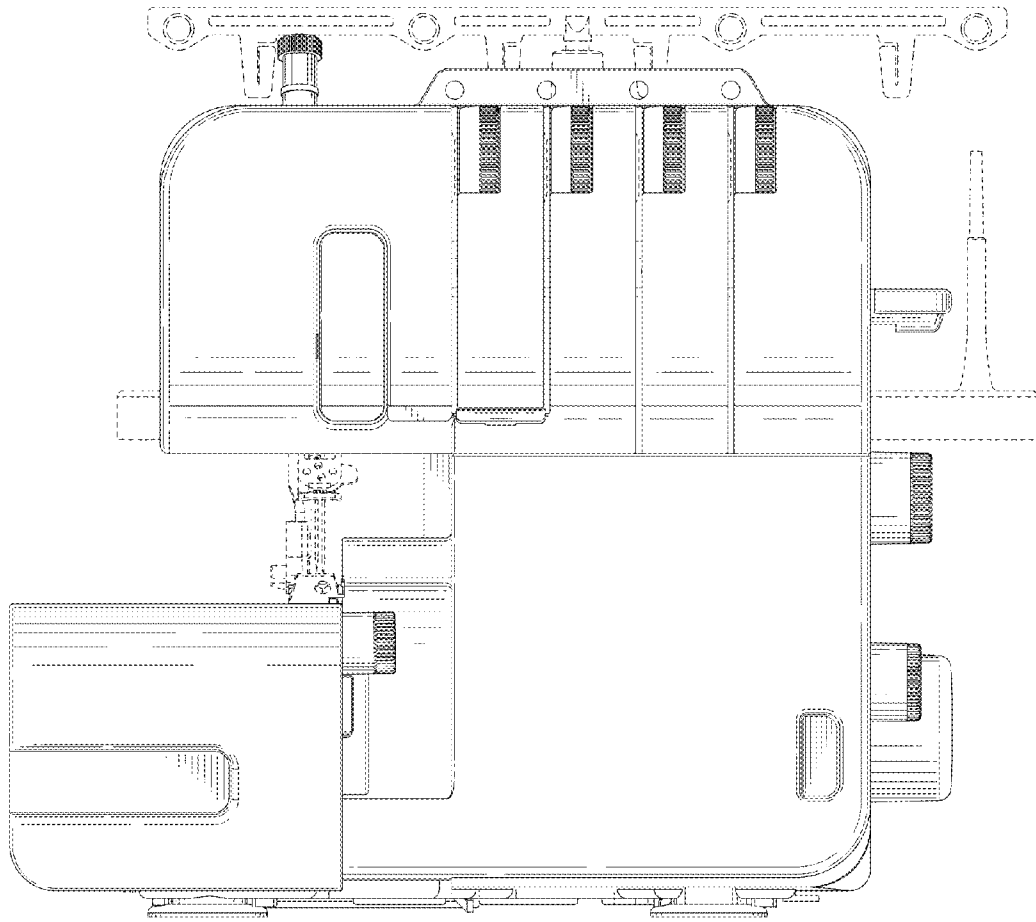


FIG. 2

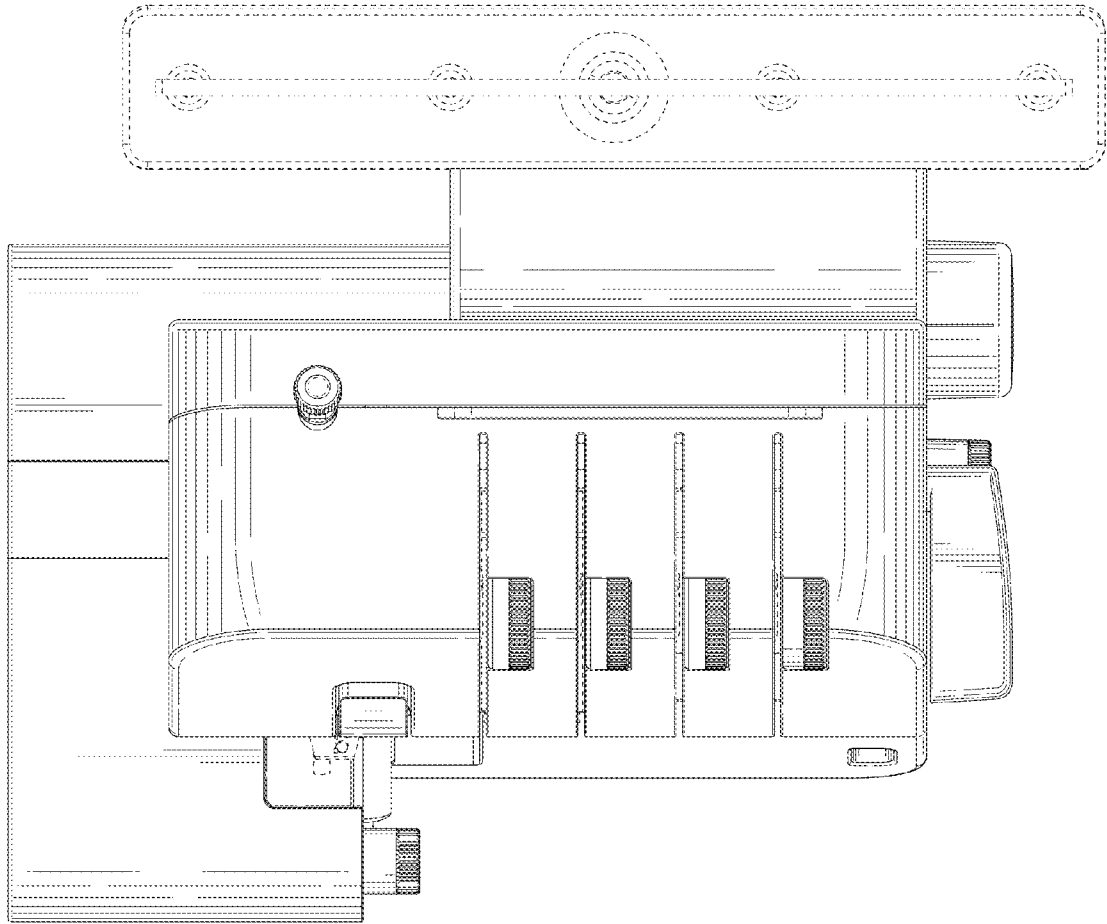


FIG. 3

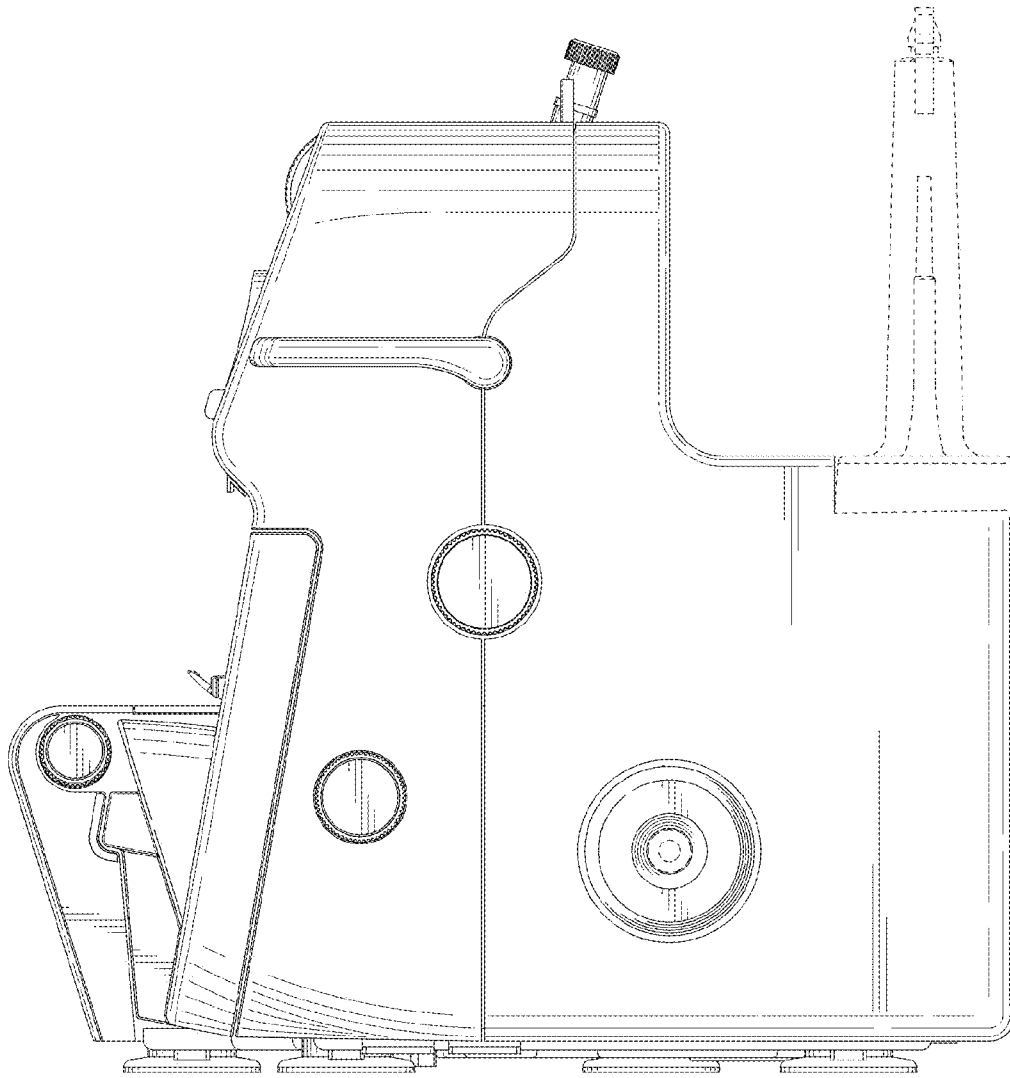


FIG. 4

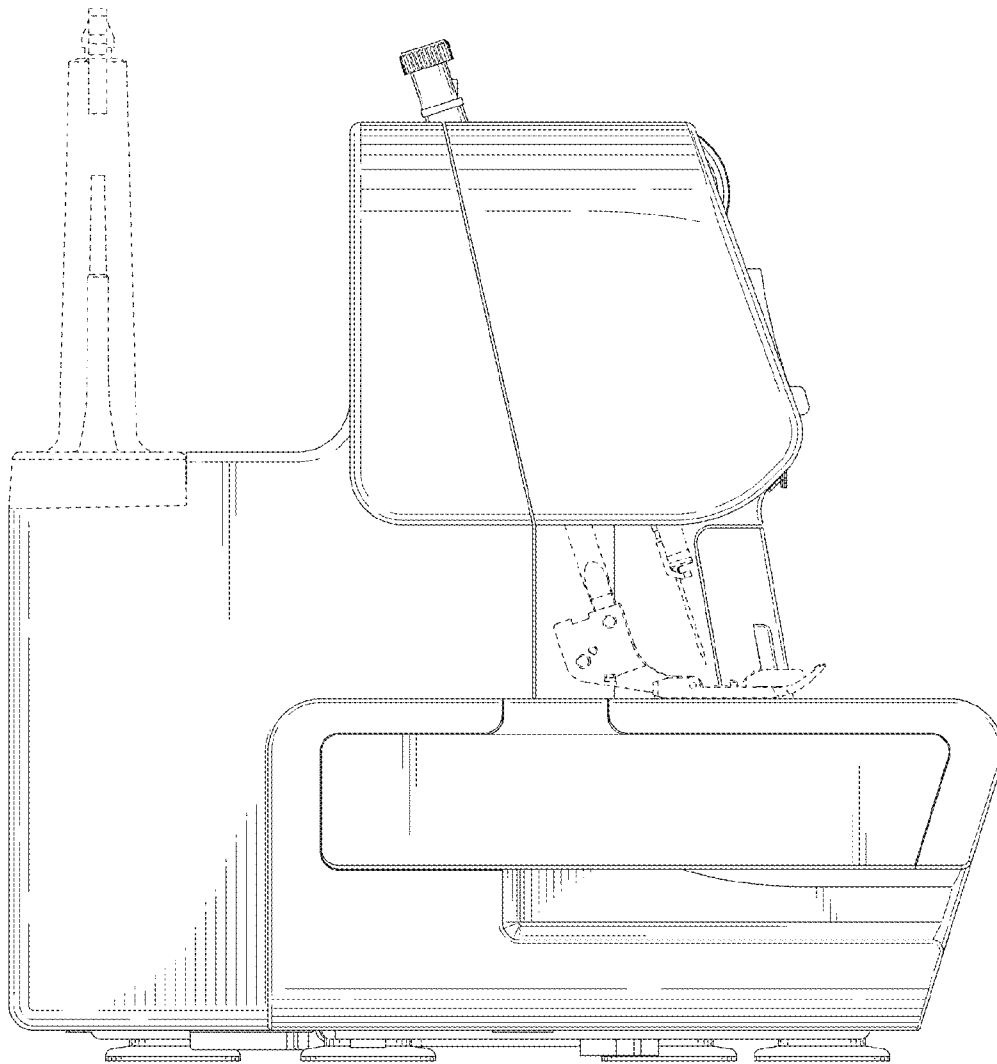


FIG. 5

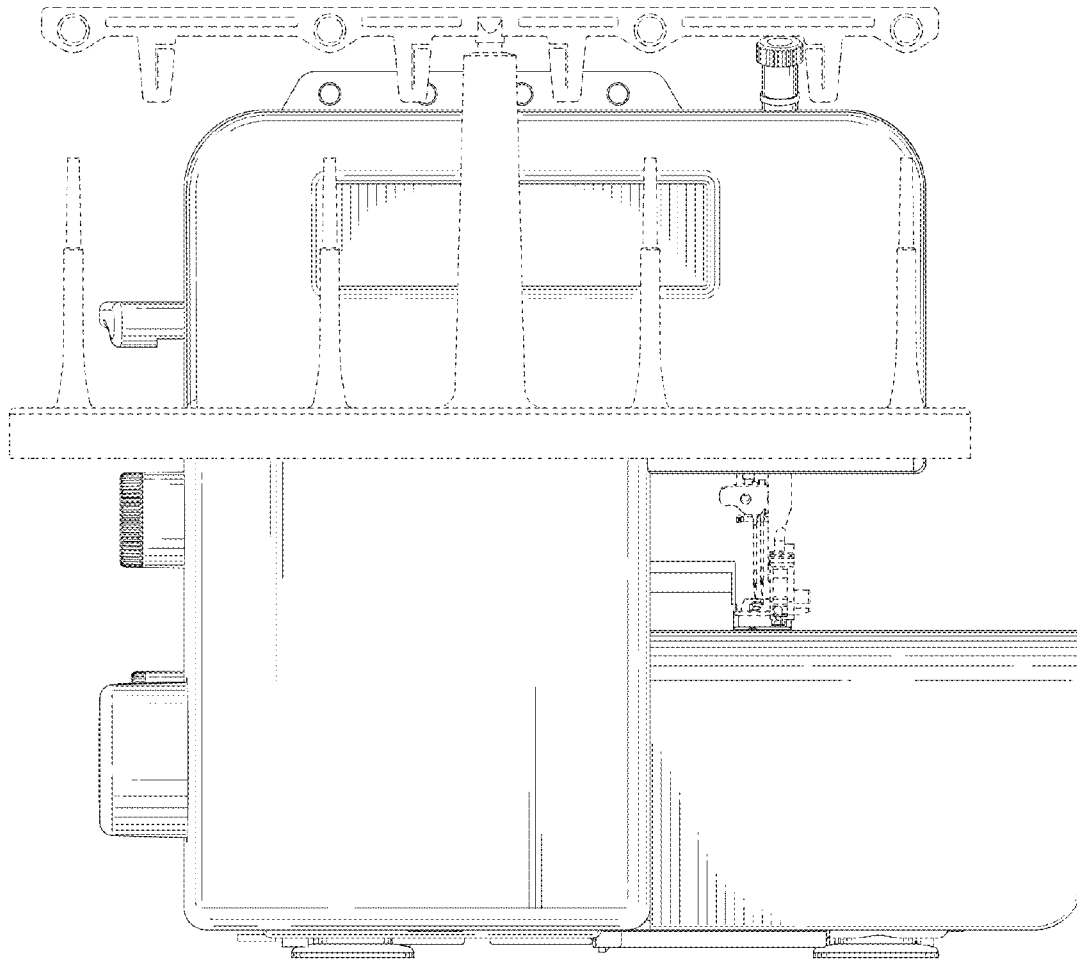


FIG. 6

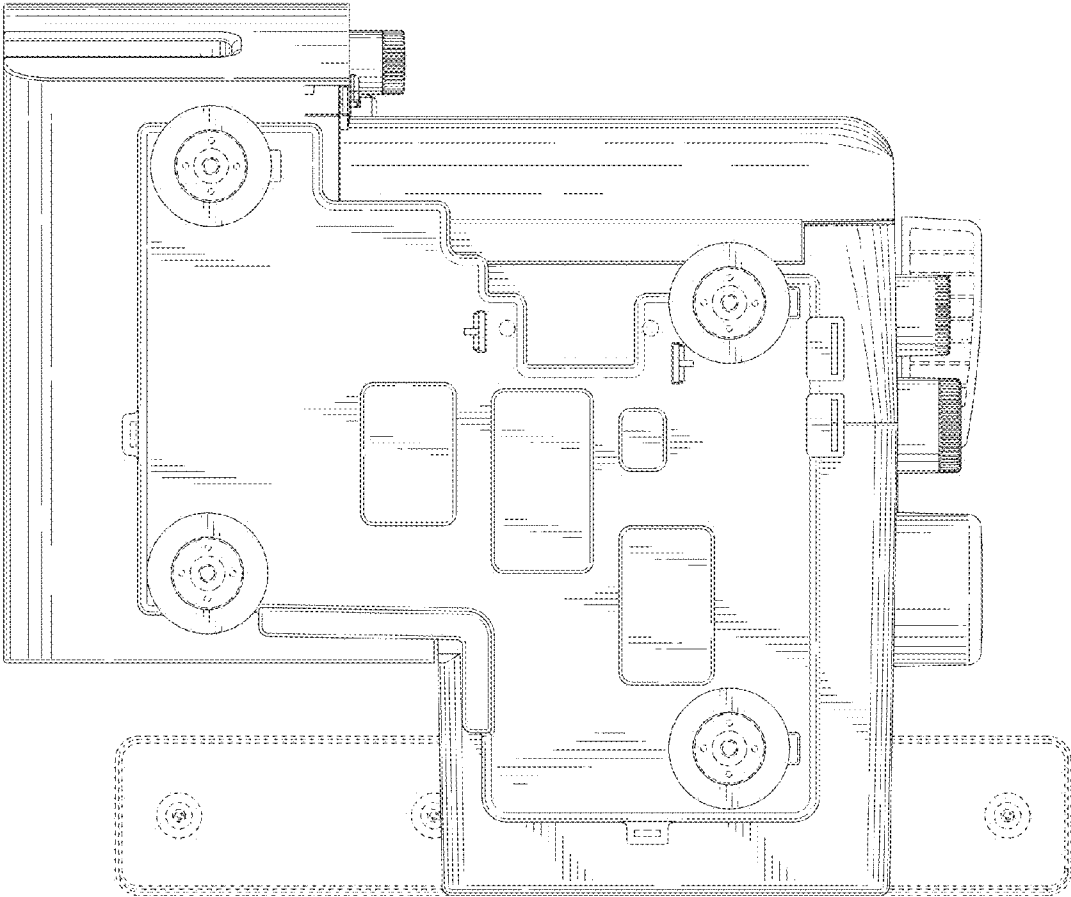


FIG. 7