



US00D757828S

(12) **United States Design Patent**
Lange et al.

(10) **Patent No.:** **US D757,828 S**
(45) **Date of Patent:** **** May 31, 2016**

- (54) **WORKSTATION FOR PRODUCT INSPECTION AND CONTROL**
- (71) Applicant: **Mettler-Toledo Garvens GmbH**, Giesen (DE)
- (72) Inventors: **Anastasia Lange**, Salzhemmendorf (DE); **Uwe Helbig**, Lamspringe (DE)
- (73) Assignee: **Mettler-Toledo Garvens GmbH**, Giesen (DE)
- (**) Term: **14 Years**
- (21) Appl. No.: **29/508,759**
- (22) Filed: **Nov. 11, 2014**

6,382,515 B1 *	5/2002	Good	G02B 26/106
				235/462.01
D489,077 S *	4/2004	Bloch	D15/122
D493,808 S *	8/2004	Tanaka	D15/122
D494,988 S *	8/2004	Tanaka	D15/122
6,932,270 B1 *	8/2005	Fajkowski	G06Q 20/387
				235/381
D614,210 S *	4/2010	Basler	D15/122
7,756,604 B1 *	7/2010	Davis	G06Q 20/342
				700/236
D633,115 S *	2/2011	Brown	D15/127
D651,620 S *	1/2012	Schindler	D15/122
8,156,886 B2 *	4/2012	Velcic	B63B 23/28
				114/366
8,175,746 B2 *	5/2012	Godlewski	A61J 7/0069
				700/236
8,256,672 B2 *	9/2012	Haibara	G06Q 30/06
				235/375
9,081,887 B2 *	7/2015	Olson	G07F 17/0092
9,129,288 B2 *	9/2015	Wike	G06Q 20/202

- (30) **Foreign Application Priority Data**
- May 23, 2014 (EM) 002469775
- (51) **LOC (10) Cl.** **15-09**
- (52) **U.S. Cl.**
- USPC **D15/122**
- (58) **Field of Classification Search**
- USPC D15/122, 141
- See application file for complete search history.

* cited by examiner

Primary Examiner — Patricia Palasik
(74) *Attorney, Agent, or Firm* — Standley Law Group LLP

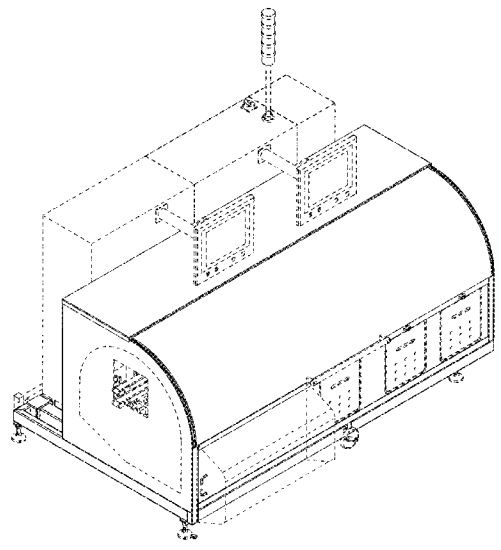
(57) **CLAIM**
The ornamental design for a workstation for product inspection and control, as shown and described.

DESCRIPTION

FIG. 1 is a front perspective view of the workstation for product inspection and control;
FIG. 2 is a front elevation view of the FIG. 1 device;
FIG. 3 is a rear elevation view of the FIG. 1 device;
FIG. 4 is a right side elevation view of the FIG. 1 device;
FIG. 5 is a left side elevation view of the FIG. 1 device;
FIG. 6 is a top plan view of the FIG. 1 device; and,
FIG. 7 is a bottom plan view of the FIG. 1 device.
The broken lines in the drawings depict unclaimed environmental subject matter.

1 Claim, 7 Drawing Sheets

- (56) **References Cited**
- U.S. PATENT DOCUMENTS
- D231,351 S * 4/1974 Preston D15/138
- D244,277 S * 5/1977 Der-Avanessian D15/126
- D265,319 S * 7/1982 Watanabe D15/130
- 4,521,677 A * 6/1985 Sarwin G06F 3/147
- | | | 235/383 |- D320,607 S * 10/1991 Smith D15/126
- D331,066 S * 11/1992 Englert D15/122
- D399,221 S * 10/1998 Schwartz D15/130
- D422,289 S * 4/2000 Mariotta D15/122
- D446,796 S * 8/2001 Rose D15/144



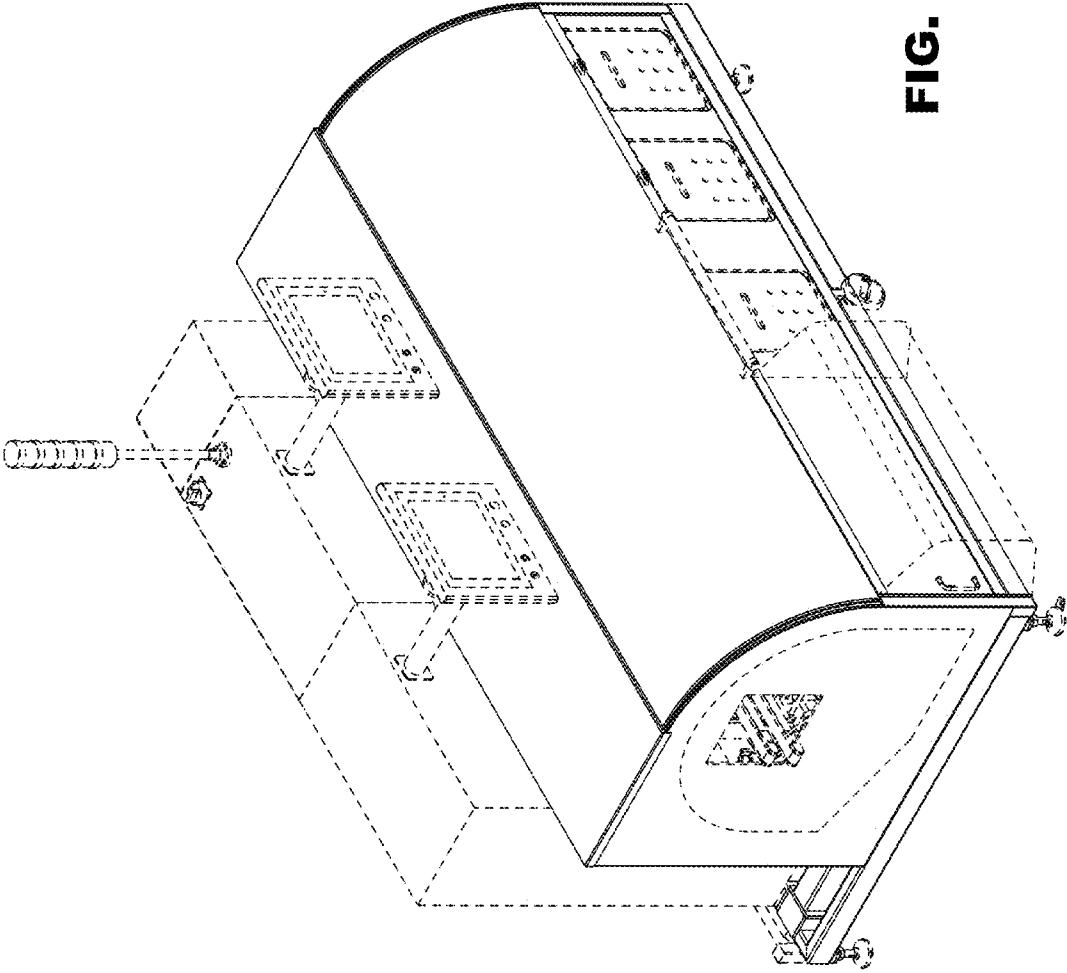


FIG. 1

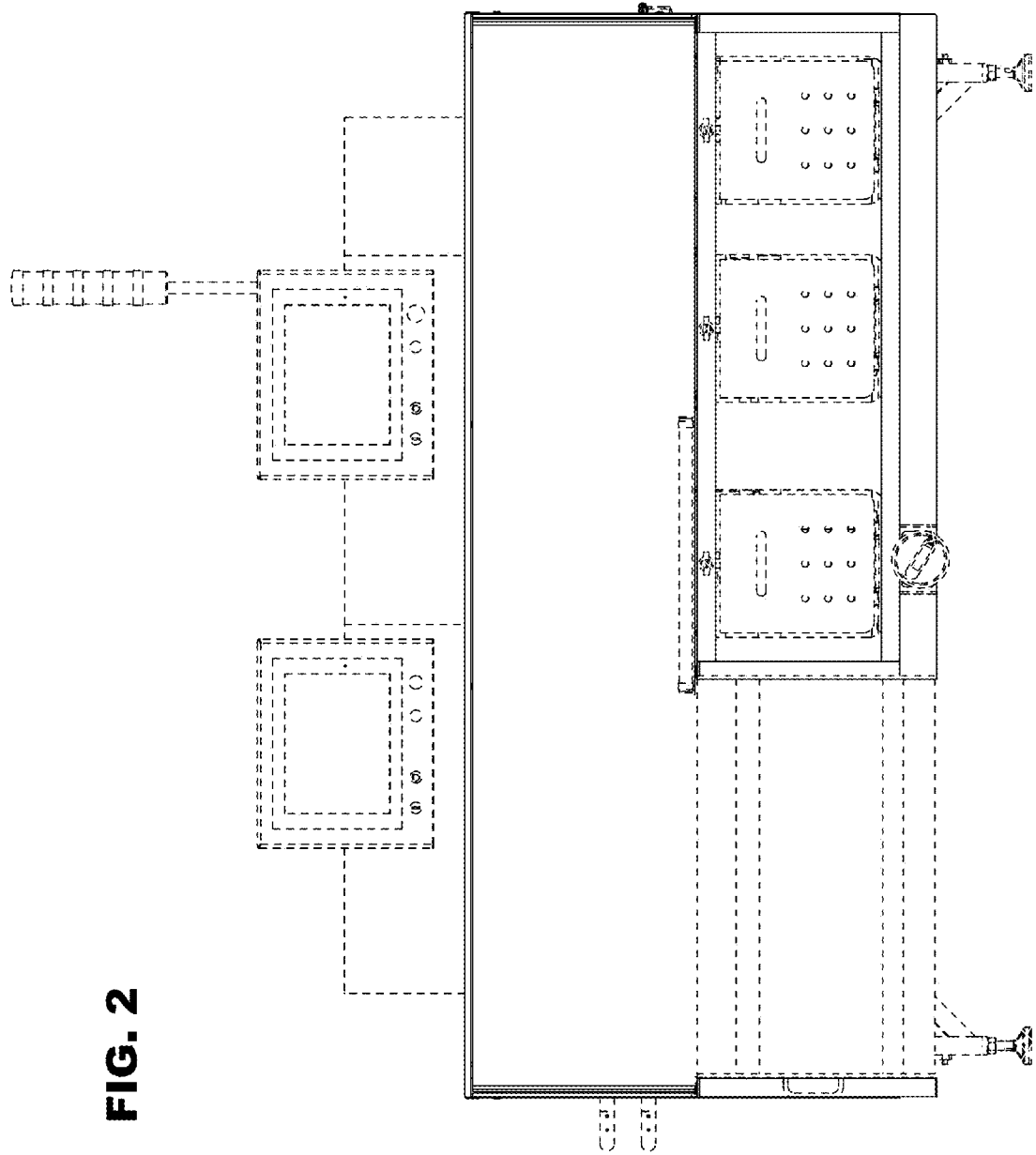


FIG. 2

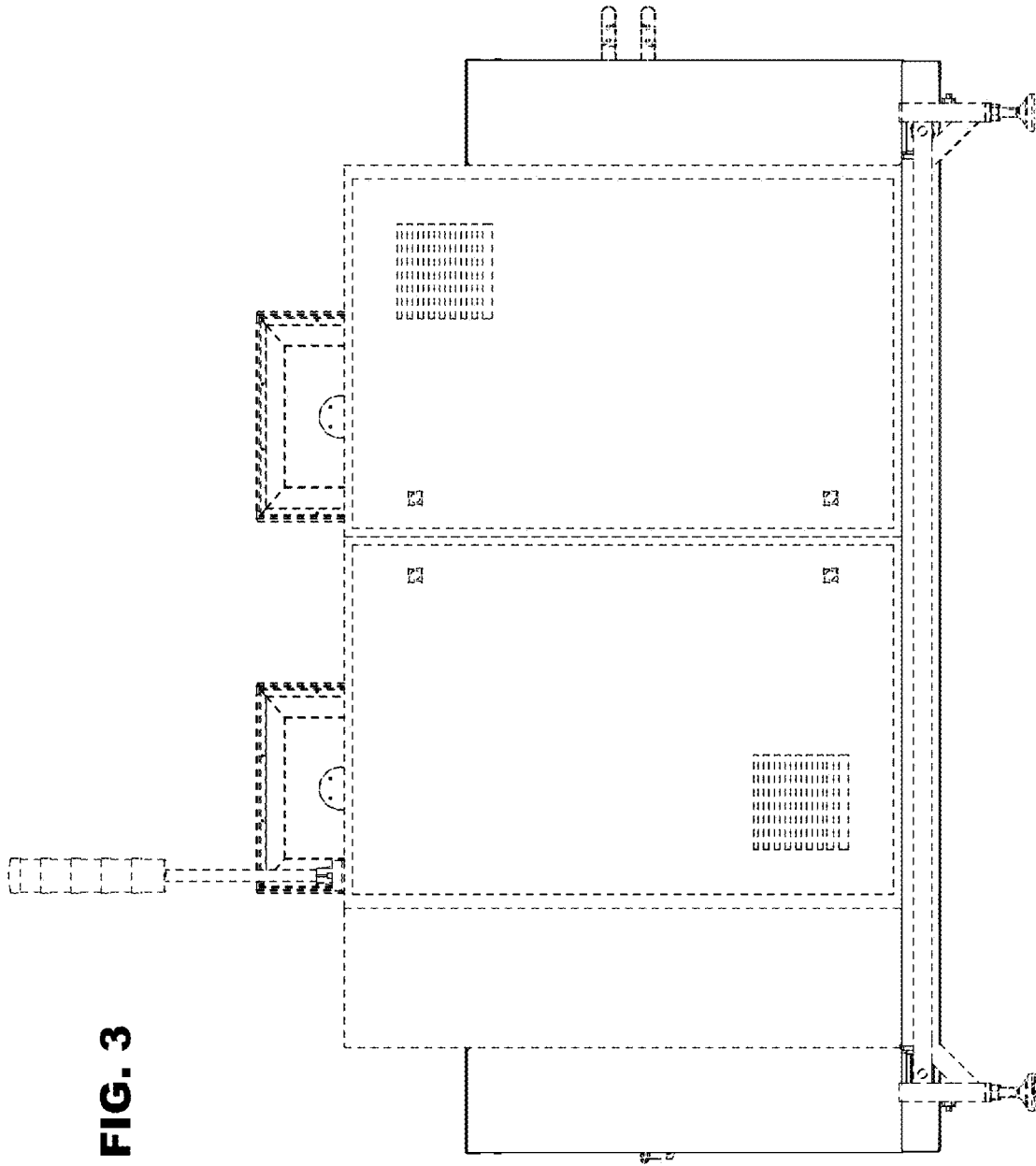


FIG. 3

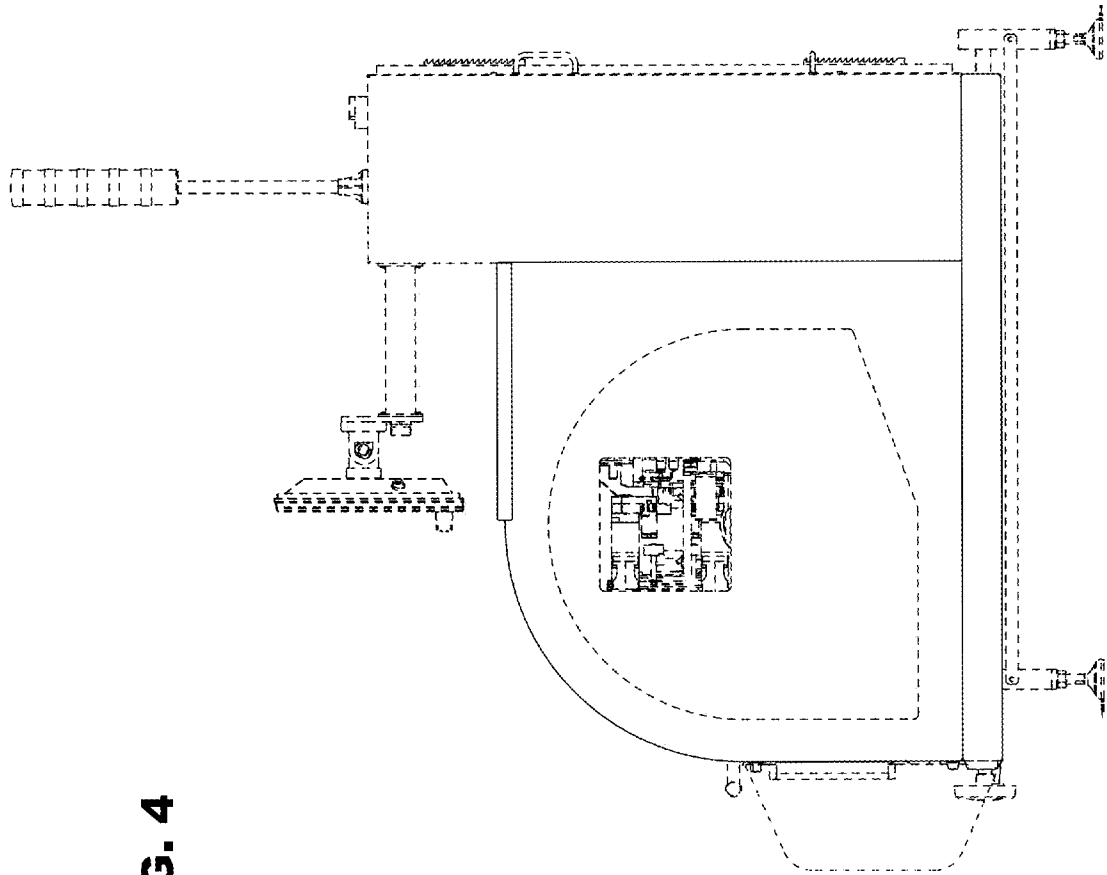


FIG. 4

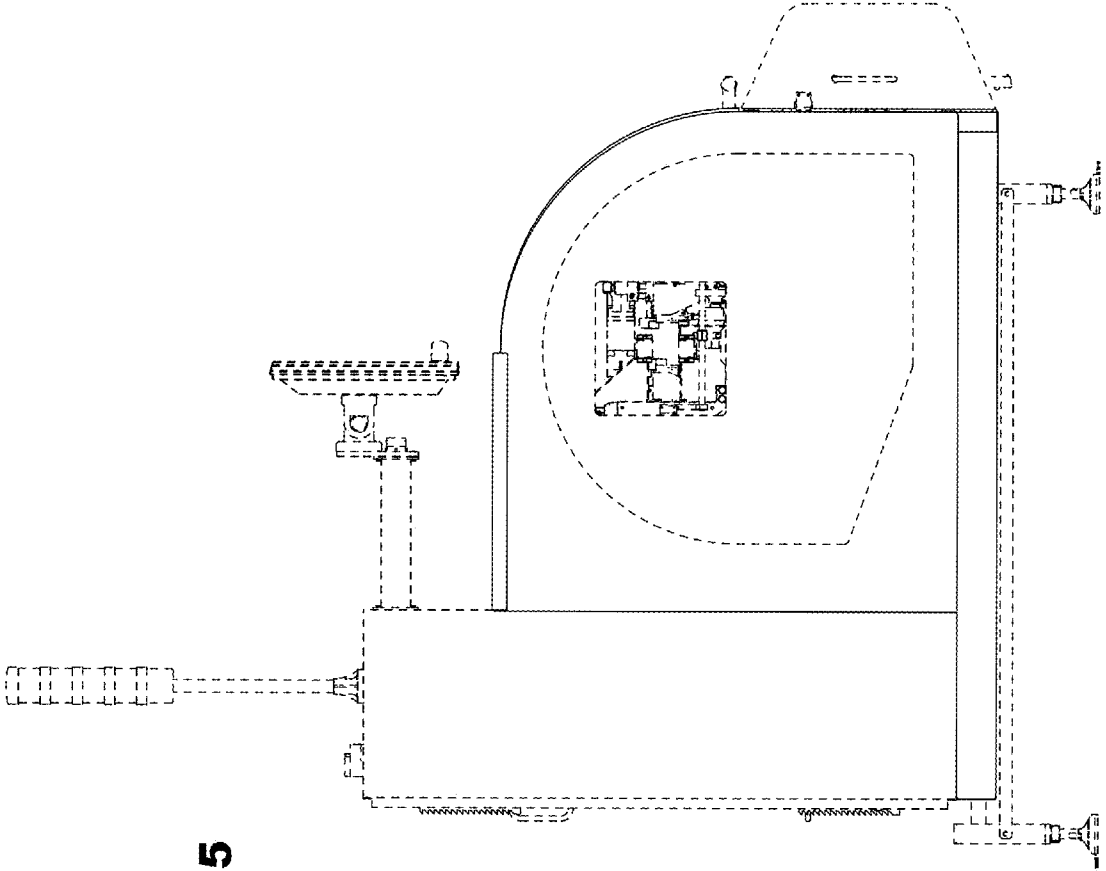


FIG. 5

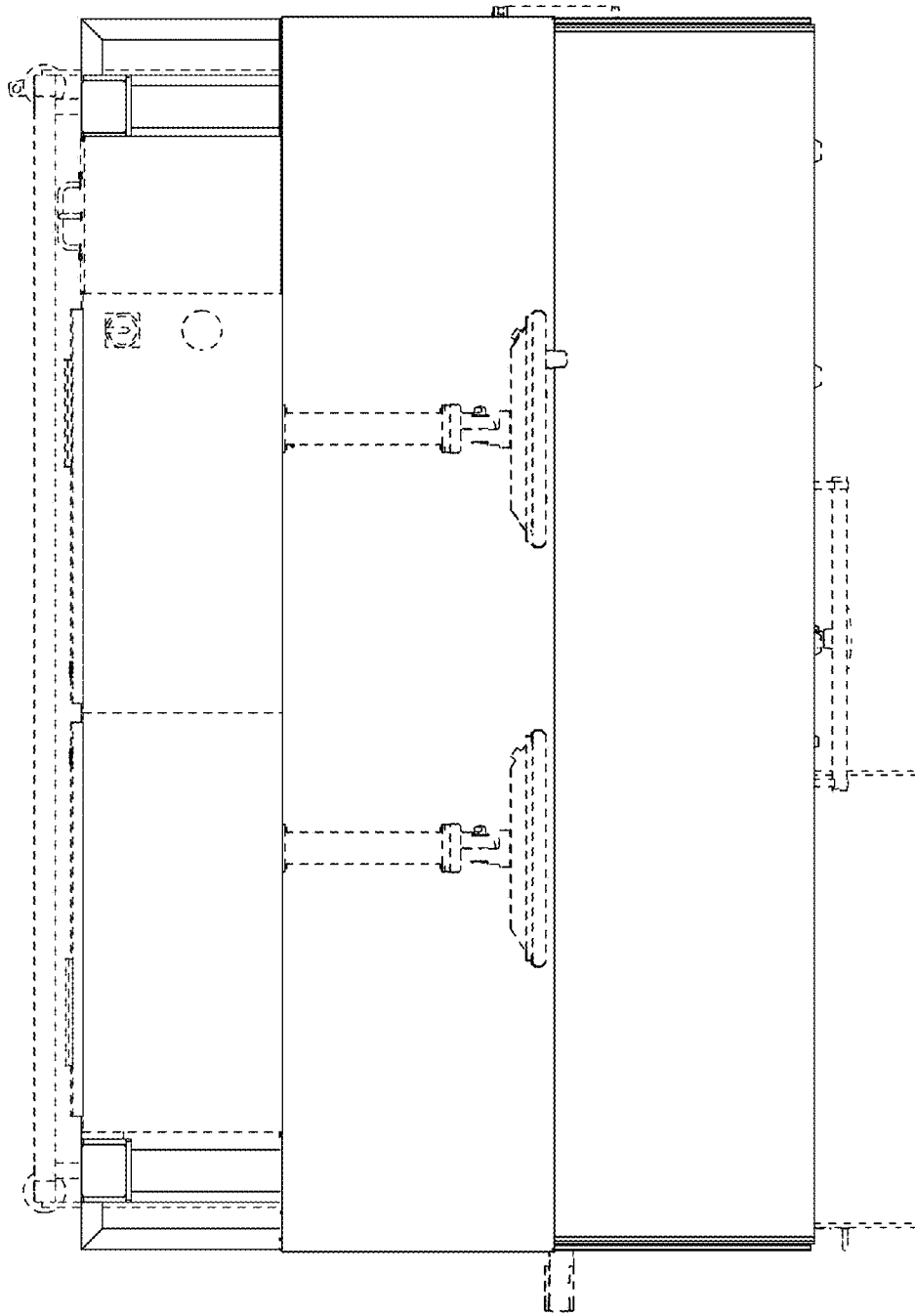


FIG. 6

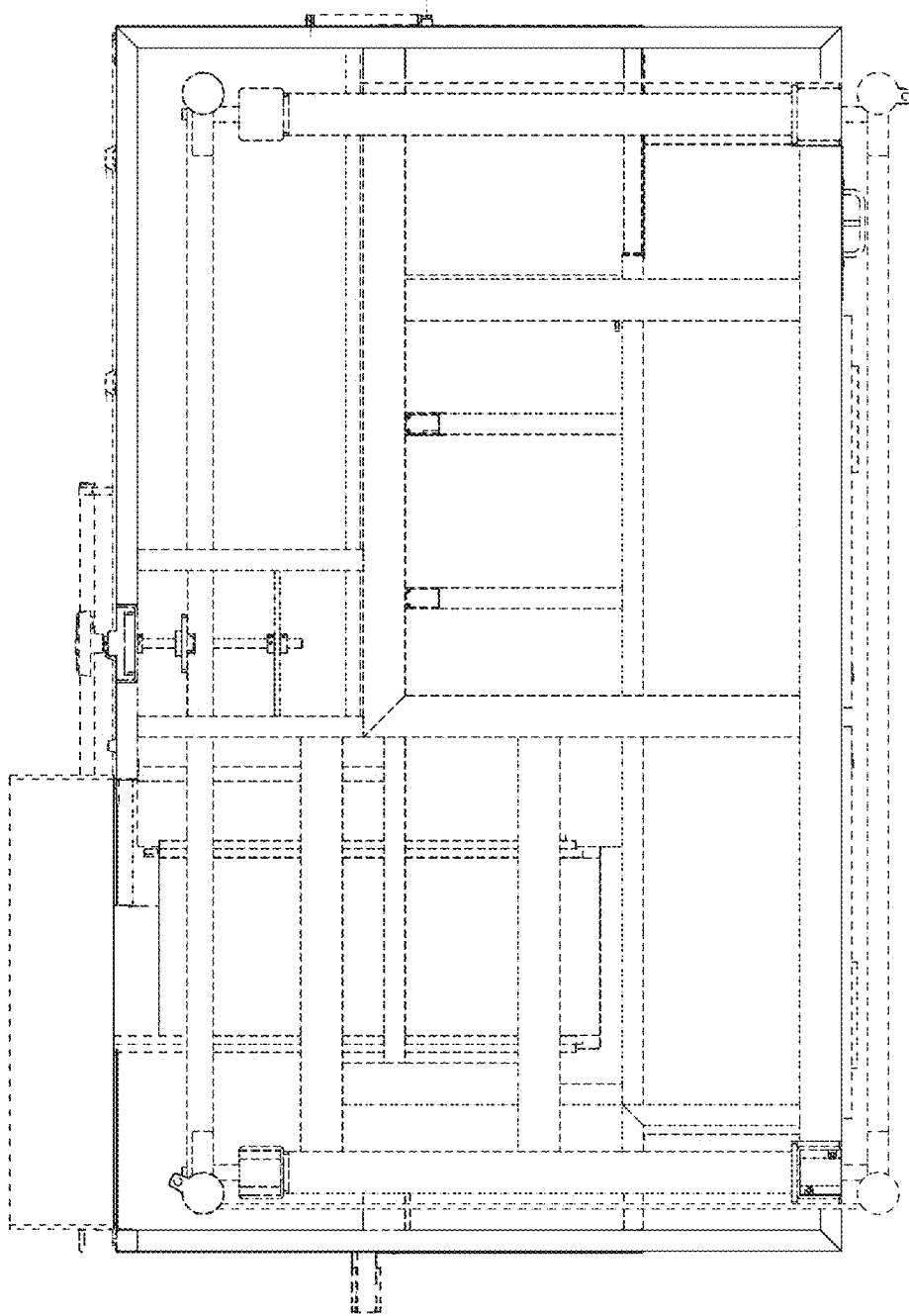


FIG. 7