

(19) World Intellectual Property Organization  
International Bureau



(43) International Publication Date  
7 September 2001 (07.09.2001)

PCT

(10) International Publication Number  
**WO 01/65061 A1**

(51) International Patent Classification<sup>7</sup>: **E21B 34/06**,  
17/00, 47/12, F16K 31/06

(21) International Application Number: PCT/US01/06949

(22) International Filing Date: 2 March 2001 (02.03.2001)

(25) Filing Language: English

(26) Publication Language: English

(30) Priority Data:  
60/186,531 2 March 2000 (02.03.2000) US

(71) Applicant (for all designated States except US): **SHELL OIL COMPANY** [US/US]; One Shell Plaza, P.O. Box 2463, Houston, TX 77252-2463 (US).

(72) Inventors; and

(75) Inventors/Applicants (for US only): **VINEGAR**,

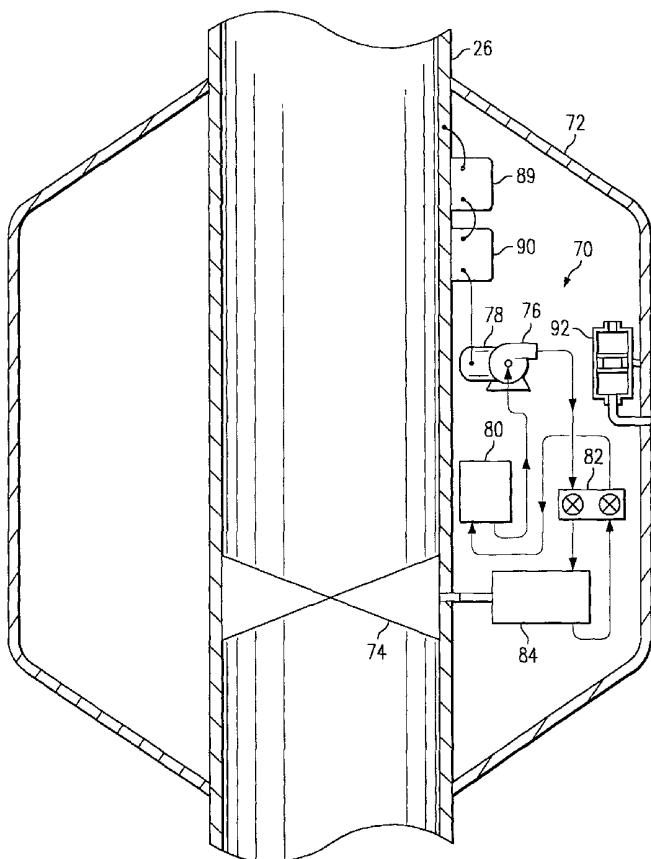
**Harold, J.** [US/US]; 5219 Yarwell, Houston, TX 77096 (US). **BURNETT, Robert, Rex** [US/US]; 20711 Flagmore Court, Katy, TX 77450 (US). **SAVAGE, William, Mountjoy** [US/US]; 8446 Ariel, Houston, TX 77074 (US). **CARL, Frederick, Gordon, Jr.** [US/US]; 8406 Edgemoor, Houston, TX 77036 (US).

(74) Agent: **CHRISTENSEN, Del. S.**; Shell Oil Company, One Shell Plaza, P.O. Box 2463, Houston, TX 77252-2463 (US).

(81) Designated States (*national*): AE, AG, AL, AM, AT, AU, AZ, BA, BB, BG, BR, BY, BZ, CA, CH, CN, CR, CU, CZ, DE, DK, DM, DZ, EE, ES, FI, GB, GD, GE, GH, GM, HR, HU, ID, IL, IN, IS, JP, KE, KG, KP, KR, KZ, LC, LK, LR, LS, LT, LU, LV, MA, MD, MG, MK, MN, MW, MX, MZ, NO, NZ, PL, PT, RO, RU, SD, SE, SG, SI, SK, SL, TJ, TM, TR, TT, TZ, UA, UG, US, UZ, VN, YU, ZA, ZW.

[Continued on next page]

(54) Title: ELECTRO-HYDRAULICALLY PRESSURIZED DOWNHOLE VALVE ACTUATOR



(57) Abstract: A petroleum well having a communication system and a hydraulic system is provided. The petroleum well includes a borehole and a piping structure positioned within the borehole. The communication system supplies a time varying electric current downhole along the piping structure. The hydraulic system (70), which is positioned downhole proximate the piping structure (26), receives the time varying current to operate an electric motor (78). The motor drives a pump (76) which pressurizes hydraulic fluid to selectively drive an actuator (84). The actuator (84) is operably connected to a downhole device, such as a shutoff valve, and operates the downhole device as the actuator (84) is driven by the pressurized hydraulic fluid.



WO 01/65061 A1



**(84) Designated States (regional):** ARIPO patent (GH, GM, KE, LS, MW, MZ, SD, SL, SZ, TZ, UG, ZW), Eurasian patent (AM, AZ, BY, KG, KZ, MD, RU, TJ, TM), European patent (AT, BE, CH, CY, DE, DK, ES, FI, FR, GB, GR, IE, IT, LU, MC, NL, PT, SE, TR), OAPI patent (BF, BJ, CF, CG, CI, CM, GA, GN, GW, ML, MR, NE, SN, TD, TG).

**Published:**

— *with international search report*

*For two-letter codes and other abbreviations, refer to the "Guidance Notes on Codes and Abbreviations" appearing at the beginning of each regular issue of the PCT Gazette.*

5

Electro-hydraulically pressurized downhole valve actuator

**CROSS-REFERENCES TO RELATED APPLICATIONS**

10 This application claims the benefit of the following U.S. Provisional Applications, all of which are hereby incorporated by reference:

<b>COMMONLY OWNED AND PREVIOUSLY FILED U.S. PROVISIONAL PATENT APPLICATIONS</b>			
<b>T&amp;K #</b>	<b>Serial Number</b>	<b>Title</b>	<b>Filing Date</b>
TH 1599	60/177,999	Toroidal Choke Inductor for Wireless Communication and Control	Jan. 24, 2000
TH 1600	60/178,000	Ferromagnetic Choke in Wellhead	Jan. 24, 2000
TH 1602	60/178,001	Controllable Gas-Lift Well and Valve	Jan. 24, 2000
TH 1603	60/177,883	Permanent, Downhole, Wireless, Two-Way Telemetry Backbone Using Redundant Repeater, Spread Spectrum Arrays	Jan. 24, 2000
TH 1668	60/177,998	Petroleum Well Having Downhole Sensors, Communication, and Power	Jan. 24, 2000
TH 1669	60/177,997	System and Method for Fluid Flow Optimization	Jan. 24, 2000
TS 6185	60/181,322	A Method and Apparatus for the Optimal Predistortion of an Electromagnetic Signal in a Downhole Communications System	Feb. 9, 2000
TH 1599x	60/186,376	Toroidal Choke Inductor for Wireless Communication and Control	Mar. 2, 2000
TH 1600x	60/186,380	Ferromagnetic Choke in Wellhead	Mar. 2, 2000
TH 1601	60/186,505	Reservoir Production Control from Intelligent Well Data	Mar. 2, 2000
TH 1671	60/186,504	Tracer Injection in a Production Well	Mar. 2, 2000
TH 1672	60/186,379	Oilwell Casing Electrical Power Pick-Off Points	Mar. 2, 2000
TH 1673	60/186,394	Controllable Production Well Packer	Mar. 2, 2000
TH 1674	60/186,382	Use of Downhole High Pressure Gas in a Gas Lift Well	Mar. 2, 2000
TH 1675	60/186,503	Wireless Smart Well Casing	Mar. 2, 2000

TH 1677	60/186,527	Method for Downhole Power Management Using Energization from Distributed Batteries or Capacitors with Reconfigurable Discharge	Mar. 2, 2000
TH 1679	60/186,393	Wireless Downhole Well Interval Inflow and Injection Control	Mar. 2, 2000
TH 1681	60/186,394	Focused Through-Casing Resistivity Measurement	Mar. 2, 2000
TH 1704	60/186,531	Downhole Rotary Hydraulic Pressure for Valve Actuation	Mar. 2, 2000
TH 1705	60/186,377	Wireless Downhole Measurement and Control For Optimizing Gas Lift Well and Field Performance	Mar. 2, 2000
TH 1722	60/186, 381	Controlled Downhole Chemical Injection	Mar. 2, 2000
TH 1723	60/186,378	Wireless Power and Communications Cross-Bar Switch	Mar. 2, 2000

5

The current application shares some specification and figures with the following commonly owned and concurrently filed applications, all of which are hereby incorporated by reference:

<b>COMMONLY OWNED AND CONCURRENTLY FILED U.S PATENT APPLICATIONS</b>			
<b>T&amp;K #</b>	<b>Serial Number</b>	<b>Title</b>	<b>Filing Date</b>
TH 1601US	09/_____	Reservoir Production Control from Intelligent Well Data	
TH 1671US	09/_____	Tracer Injection in a Production Well	
TH 1672US	09/_____	Oil Well Casing Electrical Power Pick-Off Points	
TH 1673US	09/_____	Controllable Production Well Packer	
TH 1674US	09/_____	Use of Downhole High Pressure Gas in a Gas-Lift Well	
TH 1675US	09/_____	Wireless Smart Well Casing	
TH 1677US	09/_____	Method for Downhole Power Management Using Energization from Distributed Batteries or Capacitors with Reconfigurable Discharge	
TH 1679US	09/_____	Wireless Downhole Well Interval Inflow and Injection Control	
TH 1681US	09/_____	Focused Through-Casing Resistivity Measurement	
TH 1705US	09/_____	Wireless Downhole Measurement and Control For Optimizing Gas Lift Well and Field Performance	
TH 1722US	09/_____	Controlled Downhole Chemical Injection	
TH 1723US	09/_____	Wireless Power and Communications Cross-Bar Switch	

5 The current application shares some specification and figures with the following commonly owned and previously filed applications, all of which are hereby incorporated by reference:

<b>COMMONLY OWNED AND PREVIOUSLY FILED U.S PATENT APPLICATIONS</b>			
<b>T&amp;K #</b>	<b>Serial Number</b>	<b>Title</b>	<b>Filing Date</b>
TH 1599US	09/ _____	Choke Inductor for Wireless Communication and Control	
TH 1600US	09/ _____	Induction Choke for Power Distribution in Piping Structure	
TH 1602US	09/ _____	Controllable Gas-Lift Well and Valve	
TH 1603US	09/ _____	Permanent Downhole, Wireless, Two-Way Telemetry Backbone Using Redundant Repeater	
TH 1668US	09/ _____	Petroleum Well Having Downhole Sensors, Communication, and Power	
TH 1669US	09/ _____	System and Method for Fluid Flow Optimization	
TH 1783US	09/ _____	Downhole Motorized Flow Control Valve	
TS 6185US	09/ _____	A Method and Apparatus for the Optimal Predistortion of an Electro Magnetic Signal in a Downhole Communications System	

10 The benefit of 35 U.S.C. § 120 is claimed for all of the above referenced commonly owned applications. The applications referenced in the tables above are referred to herein as the “Related Applications.”

**BACKGROUND OF THE INVENTION**

15 **Field of the Invention**

The present invention relates generally to petroleum wells and in particular to petroleum wells having a communication system for delivering power and communications to a downhole hydraulic system, the hydraulic system being operably connected to a downhole device for operating the downhole device.

20

**Description of Related Art**

Several methods have been devised to place electronics, sensors, or controllable valve downhole along an oil production tubing string, but all such known devices typically use a

5 internal or external cable along the tubing string to provide power and communications downhole. It is, of course, highly undesirable and in practice difficult to use a cable along the tubing string either integral to the tubing string or spaced in the annulus between the tubing string and the casing. The use of a cable presents difficulties for well operators while assembling and inserting the tubing string into a borehole. Additionally, the cable is subjected to corrosion and heavy wear  
10 due to movement of the tubing string within the borehole. An example of a downhole communication system using a cable is shown in PCT/EP97/01621.

U. S. Patent No. 4,839,644 describes a method and system for wireless two-way communications in a cased borehole having a tubing string. However, this system describes a communication scheme for coupling electromagnetic energy in a TEM mode using the annulus  
15 between the casing and the tubing. This inductive coupling requires a substantially nonconductive fluid such as crude oil in the annulus between the casing and the tubing. Therefore, the invention described in U. S. Patent No. 4,839,644 has not been widely adopted as a practical scheme for downhole two-way communication. Another system for downhole communication using mud pulse telemetry is described in U. S. Patent Nos. 4,648,471 and 5,887,657. Although mud pulse  
20 telemetry can be successful at low data rates, it is of limited usefulness where high data rates are required or where it is undesirable to have complex, mud pulse telemetry equipment downhole. Other methods of communicating within a borehole are described in U.S. Patent Nos. 4,468,664; 4,578,675; 4,739,325; 5,130,706; 5,467,083; 5,493,288; 5,576,703; 5,574,374; and 5,883,510. Similarly, several permanent downhole sensors and control systems have been described in U.S.  
25 Pat. Nos. 4,972,704; 5,001,675; 5,134,285; 5,278,758; 5,662,165; 5,730,219; 5,934,371; and 5,941,307.

The Related Applications describe methods for providing electrical power and communications to various downhole devices in petroleum wells. These methods use either the production tubing as a supply and the casing as a return for the power and communications  
30 transmission circuit, or alternatively, the casing as the supply with a formation ground as the return. In either configuration, electrical losses in the transmission circuit are highly variable, depending on the specific conditions for a particular well. Power supplied along the casing with a formation ground as the return is especially susceptible to current losses. Electric current leakage generally occurs through the completion cement into the earthen formation. The more conductive  
35 the cement and earthen formation, the greater the current loss as the current travels along the casing.

5 A need therefore exists to accommodate power losses which will be experienced when using a downhole wireless communication system. Since these losses place limits on the available amount of instantaneous electrical power, a need also exists for a system and method of storing energy for later use with downhole devices, especially high energy devices such as emergency shutoff valves, or other safety equipment. Although one solution to downhole energy storage  
10 problems could be provided by electrical storage such as capacitors, or chemical storage such as batteries, the limited lifetimes of such devices makes the use of the devices less than ideal in an operating petroleum well.

All references cited herein are incorporated by reference to the maximum extent allowable by law. To the extent a reference may not be fully incorporated herein, it is incorporated by  
15 reference for background purposes and indicative of the knowledge of one of ordinary skill in the art.

#### BRIEF SUMMARY OF THE INVENTION

The problems presented in accommodating energy losses along a transmission path and in  
20 providing a usable source of instantaneous downhole energy are solved by the systems and methods of the present invention. In accordance with one embodiment of the present invention, a method for operating a downhole device in a borehole of a petroleum well is provided. The petroleum well includes a piping structure positioned within the borehole of the well. The method includes delivering a time-varying current along the piping structure, the current being used to  
25 operate a motor. The motor drives a pump, which performs the step of pressuring a hydraulic fluid. Finally, the step of operating the downhole device is accomplished using the pressurized hydraulic fluid.

In another embodiment of the present invention, a petroleum well having a borehole and a piping structure positioned within the borehole is provided. The petroleum well includes a  
30 communications system and a hydraulic system. The communications system is operably associated with the piping structure of the well and transmits a time varying current along the piping structure. The hydraulic system is electrically connected to the piping structure and is configured to operate a downhole device.

In another embodiment of the present invention, a hydraulic actuation system includes a  
35 motor that is configured to receive a time varying current along a pipe member. A pump is operably connected to and is driven by the motor such that the pump pressurizes a hydraulic fluid.

5 An actuator is hydraulically connected to the pump and is selectively driven by the pressurized hydraulic fluid supplied by the pump. The actuator is configured for operable attachment to a target device, the actuator operating the target device as the actuator is driven by the pressurized hydraulic fluid.

10

### BRIEF DESCRIPTION OF THE DRAWINGS

FIG. 1 is a schematic of a petroleum well having a wireless communication system and a hydraulic pressure system according to the present invention.

FIG. 2 is a schematic of an offshore petroleum well having a wireless communication system and a hydraulic pressure system according to the present invention.

15

FIG. 3 is an enlarged schematic of a piping structure of a petroleum well, the piping structure having an enlarged pod that houses a hydraulic pressure system according to the present invention.

FIG. 4 is an electrical and plumbing schematic of the hydraulic pressure system of FIG. 3.

20

FIG. 5 is an enlarged schematic of a piping structure of a petroleum well, the piping structure having an enlarged pod that houses a hydraulic adjustment system according to an alternate embodiment of the present invention.

FIG. 6 is an electrical and plumbing schematic of the hydraulic adjustment system of FIG.

5.

25

### DETAILED DESCRIPTION OF THE PREFERRED EMBODIMENT

As used in the present application, a "piping structure" can be one single pipe, a tubing string, a well casing, a pumping rod, a series of interconnected pipes, rods, rails, trusses, lattices, supports, a branch or lateral extension of a well, a network of interconnected pipes, or other structures known to one of ordinary skill in the art. The preferred embodiment makes use of the invention in the context of an oil well where the piping structure comprises tubular, metallic, electrically-conductive pipe or tubing strings, but the invention is not so limited. For the present invention, at least a portion of the piping structure needs to be electrically conductive, such electrically conductive portion may be the entire piping structure (e.g., steel pipes, copper pipes) or a longitudinal extending electrically conductive portion combined with a longitudinally extending non-conductive portion. In other words, an electrically conductive piping structure is one that provides an electrical conducting path from one location where a power source is



5 electrically connected to another location where a device and/or electrical return is electrically connected. The piping structure will typically be conventional round metal tubing, but the cross-sectional geometry of the piping structure, or any portion thereof, can vary in shape (e.g., round, rectangular, square, oval) and size (e.g., length, diameter, wall thickness) along any portion of the piping structure.

10 A “valve” is any device that functions to regulate the flow of a fluid. Examples of valves include, but are not limited to, bellows-type gas-lift valves and controllable gas-lift valves, each of which may be used to regulate the flow of lift gas into a tubing string of a well. The internal workings of valves can vary greatly, and in the present application, it is not intended to limit the valves described to any particular configuration, so long as the valve functions to regulate flow.

15 Some of the various types of flow regulating mechanisms include, but are not limited to, ball valve configurations, needle valve configurations, gate valve configurations, and cage valve configurations. Valves generally fall into one or the other of two classes: regulating valves intended to regulate flow continuously over a dynamic range from fully closed to fully open, and valves intended to be operated only fully open or fully closed, with intermediate positions

20 considered transient. The latter class of valves may be operated to protect personnel or equipment during scheduled maintenance or modification, or may form part of the emergency shut-in system of a well, in which case they must be capable of operating rapidly and without lengthy preparation. Sub-surface safety valves are an example of this type of valve. Valves can be mounted downhole in a well in many different ways, some of which include tubing conveyed mounting

25 configurations, side-pocket mandrel configurations, or permanent mounting configurations such as mounting the valve in an enlarged tubing pod.

The term “modem” is used generically herein to refer to any communications device for transmitting and/or receiving electrical communication signals via an electrical conductor (e.g., metal). Hence, the term is not limited to the acronym for a modulator (device that converts a voice or data signal into a form that can be transmitted)/demodulator (a device that recovers an original signal after it has modulated a high frequency carrier). Also, the term “modem” as used herein is not limited to conventional computer modems that convert digital signals to analog signals and vice versa (e.g., to send digital data signals over the analog Public Switched Telephone Network). For example, if a sensor outputs measurements in an analog format, then such measurements may

30 only need to be modulated (e.g., spread spectrum modulation) and transmitted—hence no analog-

5 to-digital conversion is needed. As another example, a relay/slave modem or communication device may only need to identify, filter, amplify, and/or retransmit a signal received.

The term "processor" is used in the present application to denote any device that is capable of performing arithmetic and/or logic operations. The processor may optionally include a control unit, a memory unit, and an arithmetic and logic unit.

10 The term "sensor" as used in the present application refers to any device that detects, determines, monitors, records, or otherwise senses the absolute value of or a change in a physical quantity. Sensors as described in the present application can be used to measure temperature, pressure (both absolute and differential), flow rate, seismic data, acoustic data, pH level, salinity levels, valve positions, or almost any other physical data.

15 As used in the present application, "wireless" means the absence of a conventional, insulated wire conductor e.g. extending from a downhole device to the surface. Using the tubing and/or casing as a conductor is considered "wireless."

The term "electronics module" in the present application refers to a control device. Electronics modules can exist in many configurations and can be mounted downhole in many  
20 different ways. In one mounting configuration, the electronics module is actually located within a valve and provides control for the operation of a motor within the valve. Electronics modules can also be mounted external to any particular valve. Some electronics modules will be mounted within side pocket mandrels or enlarged tubing pockets, while others may be permanently attached to the tubing string. Electronics modules often are electrically connected to sensors and assist in  
25 relaying sensor information to the surface of the well. It is conceivable that the sensors associated with a particular electronics module may even be packaged within the electronics module. Finally, the electronics module is often closely associated with, and may actually contain, a modem for receiving, sending, and relaying communications from and to the surface of the well. Signals that are received from the surface by the electronics module are often used to effect  
30 changes within downhole controllable devices, such as valves. Signals sent or relayed to the surface by the electronics module generally contain information about downhole physical conditions supplied by the sensors.

In accordance with conventional terminology of oilfield practice, the descriptors "upper," "lower," "uphole," and "downhole" as used herein are relative and refer to distance along hole  
35 depth from the surface, which in deviated or horizontal wells may or may not accord with vertical elevation measured with respect to a survey datum.

5 Referring to FIG. 1 in the drawings, a petroleum well 10 according to the present invention is illustrated. Petroleum well 10 includes a borehole 11 extending from a surface 12 into a production zone 14 located downhole. A production platform 20 is located at surface 12 and includes a hanger 22 for supporting a casing 24 and a tubing string 26. Casing 24 is of the type conventionally employed in the oil and gas industry. The casing 24 is typically installed in  
10 sections and is cemented in borehole 11 during well completion. Tubing string 26, also referred to as production tubing, is generally conventional comprising a plurality of elongated tubular pipe sections joined by threaded couplings at each end of the pipe sections. Production platform 20 also includes a gas input throttle 30 to permit the input of compressed gas into an annular space 3 between casing 24 and tubing string 26. Conversely, output valve 32 permits the expulsion of oil  
15 and gas bubbles from an interior of tubing string 26 during oil production.

Petroleum well 10 includes a communication system 34 for providing power and two-way communications downhole in well 10. Communication system 34 includes a lower induction choke 42 that is installed on tubing string 26 to act as a series impedance to electric current flow. The size and material of lower induction choke 42 can be altered to vary the series impedance  
20 value; however, the lower induction choke 42 is made of a ferromagnetic material. Induction choke 42 is mounted concentric and external to tubing string 26, and is typically hardened with epoxy to withstand rough handling.

An insulating tubing joint 40 (also referred to as an electrically insulating joint) is positioned on tubing string 26 near the surface of the well. Insulating tubing joint 40, along with  
25 lower induction choke 42, provide electrical isolation for a section of tubing string 26 located between insulating tubing joint 40 and induction choke 42. The section of tubing string 26 between insulating tubing joint 40 and lower choke 42 may be viewed as a power and communications path. In alternative to or in addition to the insulating tubing joint 40, an upper induction choke (not shown) can be placed about the tubing string 26 or an insulating tubing  
30 hanger (not shown) could be employed.

A computer and power source 44 including a power supply 46 and a spread spectrum communications device 48 (e.g. modem) is disposed outside of borehole 11 at surface 12. The computer and power source 44 is electrically connected to tubing string 26 below insulating tubing  
joint 40 for supplying time varying current to the tubing string 26. A return feed for the current is  
35 attached to casing 24. In operation the use of tubing string 26 as a conductor is fairly lossy because of the often great lengths of tubing string along which current is supplied. However, the

5 spread spectrum communications technique is tolerant of noise and low signal levels, and can operate effectively even with losses as high as -100db.

The method of electrically isolating a section of the tubing string as illustrated in FIG.1 is not the sole method of providing power and communications signals downhole. In the preferred embodiment of FIG. 1, power and communication signals are supplied on tubing string 26, with  
10 the electrical return being provided by casing 24. Instead, the electrical return could be provided by an earthen ground. An electrical connection to earthen ground could be provided by passing a wire through casing 24 or by connecting the wire to the tubing string below lower choke 42 (if the lower portion of the tubing string was grounded).

An alternative power and communications path could be provided by casing 24. In a  
15 configuration similar to that used with tubing string 26, a portion of casing 24 could be electrically isolated to provide a telemetry backbone for transmitting power and communication signals downhole. If induction chokes were used to isolate a portion of casing 24, the chokes would be disposed concentrically around the outside of the casing. Instead of using chokes with the casing 24, electrically isolating connectors could be used similar to insulating tubing joint 40. In  
20 embodiments using casing 24 to supply power and communications signals downhole, an electrical return could be provided either via the tubing string 26 or via an earthen ground.

A packer 49 is placed within casing 24 below lower induction choke 42. Packer 49 is located above production zone 14 and serves to isolate production zone 14 and to electrically connect metal tubing string 26 to metal casing 24. Typically, the electrical connections between  
25 tubing string 26 and casing 24 would not allow electrical signals to be transmitted or received up and down borehole 11 using tubing string 26 as one conductor and casing 24 as another conductor. However, the disposition of insulating tubing joint 40 and lower induction choke 42 create an electrically isolated section of the tubing string 26, which provides a system and method to provide power and communication signals up and down borehole 11 of petroleum well 10.

30 Referring to FIG. 2 in the drawings, an offshore petroleum well 60 is illustrated. Petroleum well 60 includes a main production platform 62 at an aqueous surface 63 anchored to an earthen floor 64 with support members 66. Petroleum well 60 has many similarities to petroleum well 10 of FIG. 1. The borehole 11 of petroleum well 60 begins at earthen floor 64. Casing 24 is positioned within borehole 11, and tubing hanger 22 provides downhole support for tubing string  
35 26. One of the primary differences between petroleum well 10 and petroleum well 60 is that tubing string 26 in petroleum well 60 extends through water 67 before reaching borehole 11.

5 Induction choke 42 is positioned on tubing string 26 just above a wellhead 68 at earthen floor 64. An insulating tubing joint (similar to insulating tubing joint 40, but not shown) is provided at a portion of the tubing string 26 on production platform 62. Time varying current is imparted to a section of tubing string 26 between the insulating tubing joint and induction choke 42 to supply power and communications at wellhead 68.

10 A person skilled in the art will recognize that under normal circumstances a short circuit would occur for current passed along tubing string 26 since the tubing string is surrounded by electrically conductive sea water. However, corrosion inhibiting coatings on tubing string 26 are generally non-conductive and can provide an electrically insulating "sheath" around the tubing string, thereby allowing current transfer even when tubing string 26 is immersed in water. In an alternative arrangement, power could be supplied to wellhead 68 by an insulated cable (not shown) and then supplied downhole in the same manner provided in petroleum well 10. In such an arrangement, the insulating tubing joint and induction choke 42 would be positioned within the borehole 11 of petroleum well 60.

Referring still to FIG. 2, but also to FIGS. 1 and 3 in the drawings, a hydraulic system 70 provided for operating a downhole device, or a target device (not shown). Hydraulic system 70 is disposed within an enlarged pod 72 on tubing string 26. In FIG. 3 the downhole device is a shut-off valve 74; however, a number of different downhole devices could be operated by hydraulic system 70. Shut-off valve 74 is driven incrementally by hydraulic fluid pressurized by a pump 76. An electric motor 78 is powered by time varying current passed along tubing string 26. Motor 78 is operably connected to pump 76 for driving the pump 76. The electric motor 78 driving hydraulic pump 76 consumes small amounts of power such that it may operate with the limited power available at depth in the well. By appropriate design of hydraulic pump 76 and other components of hydraulic system 70, especially in the design of seals that minimize hydraulic fluid leakage in these components, the low amount of available power does not restrict the hydraulic pressure that can be generated, but rather restricts the flow rate of the hydraulic fluid.

Referring now to FIG. 4 in the drawings, the plumbing and electrical connections for hydraulic system 70 are illustrated in more detail. In addition to pump 76 and motor 78, hydraulic system 70 includes a fluid reservoir 80, a pilot valve 82, a valve actuator 84, and the necessary tubing and hardware to route hydraulic fluid between these components. Reservoir 80 is hydraulically connected to pump 76 for supplying hydraulic fluid to the pump 76. Pilot valve 82 is hydraulically connected to pump 76, actuator 84, and reservoir 80. Pilot valve 82 selectively

5 routes pressurized hydraulic fluid to actuator 84 for operating the actuator 84. Actuator 84 includes a piston 86 having a first side 87 and a second side 88. Piston 86 is operably connected to valve 74 for opening and closing the valve 74. By selectively routing pressurized hydraulic fluid to different sides of piston 86, valve 74 can be selectively opened or closed. For example, in one configuration, hydraulic fluid might be routed to a chamber just above first side 87 of piston  
10 86. The pressurized fluid would exert a force on piston 86, causing the piston 86 to move downward, thereby closing valve 74. Fluid in a chamber adjacent the second side 88 of piston 86 would be displaced into reservoir 80. In this configuration, valve 74 could be opened by adjusting pilot valve 82 such that pressurized hydraulic fluid is supplied to the chamber adjacent the second side 88 of piston 86. The pressurized fluid would exert an upward force on piston 86, thereby  
15 moving piston 86 upward and opening valve 74. Displaced hydraulic fluid in the chamber adjacent front side 87 would be routed to reservoir 80.

As previously mentioned, electric current is supplied to motor 78 along tubing string 26. Modem 89 is positioned within enlarged pod 72 for receiving signals from modem 48 at surface 12. Modem 89 is electrically connected to a controller 90 for controlling the operation of motor  
20 78. Controller 90 is also electrically connected to pilot valve 82 for controlling operation of the pilot valve, thereby insuring that the valve properly routes hydraulic fluid from the pump 76 to the actuator 84 and the reservoir 80.

In operation, electric current is supplied downhole along tubing string 26 and is received by modem 89. Controller 90 receives instructions from modem 89 and routes power to motor 78.  
25 Controller 90 also establishes the setting for pilot valve 82 so that hydraulic fluid is properly routed throughout the hydraulic system 70. As motor 78 is powered, it drives pump 76 which draws hydraulic fluid from reservoir 80. Pump 76 pressurizes the hydraulic fluid, pushing the fluid into pilot valve 82. From pilot valve 82, the pressurized hydraulic fluid is selectively routed to one side of piston 86 to drive the actuator 84. Depending on the side of piston 86 to which fluid  
30 was delivered, valve 74 will be opened or closed. As the piston 86 moves, displaced hydraulic fluid is routed from actuator 84 to reservoir 80.

Hydraulic system 70 may also include a bottom hole pressure compensator 92 (see FIG. 3) to balance the static pressure of the hydraulic fluid circuit against the static pressure of downhole fluids in the well. Use of a pressure compensator minimizes differential pressure across any rotary or sliding seals between the hydraulic circuit and the well fluids if these seals are present in the  
35 design, and thus minimizes stress on such seals.

5           Enlarged pod 72 is filled with oil, the pressure of which is balanced with the pressure of any fluid present in annulus 31. By porting one side of the pressure compensator 92 to the exterior of pod 72, the pressure of oil within the enlarged pod 72 can be matched to the pressure of fluid within the annulus 31. The adjustment of internal pod pressure allows many of the components of the hydraulic system 70 to operate more efficiently.

10           Referring now to FIGS. 5 and 6 in the drawings, an alternate embodiment for hydraulic system 70 is illustrated. The components for this hydraulic system are substantially similar to those illustrated in FIGS. 3 and 4. In this particular embodiment, however, an accumulator 96 is hydraulically connected between pump 76 and pilot valve 82 for collecting pressurized hydraulic fluid supplied by the pump 76. The control of hydraulic system 70 is identical to that previously  
15 described, except that accumulator 96 is now used to supply the pressurized hydraulic fluid to actuator 84. Accumulator 96 allows instantaneous hydraulic operations to be intermittently performed (e.g. quick opening or closing of a valve). This is in contrast to the previous embodiment, which used a pump to supply hydraulic fluid to the actuator 84 more gradually.

          Accumulator 96 includes a piston 98 slidably and sealingly disposed within a housing, the  
20 piston being biased in one direction by a spring 100. A compensator port 102 is disposed in the housing and allows pressurized oil within enlarged pod 72 to exert an additional force on piston 98 which is complementary to the force exerted by spring 100. Motor 78 and pump 76 charge accumulator 96 to a high pressure by pushing hydraulic fluid into a main chamber 104 against the biased piston 98. When the force exerted by hydraulic fluid within main chamber 104 equals the  
25 forces on the opposite side of piston 98, pump 76 ceases operation, and the hydraulic fluid is stored within accumulator 96 until needed.

          The stored, pressurized hydraulic fluid is released under control of pilot valve 82 to drive actuator 84 and thus actuate the main valve 74. Because of the energy stored in the accumulator 96, valve 74 can be opened or closed immediately upon receipt of an open or close command.  
30 Accumulator 96 is sized to enable at least one complete operation (open or close) of valve 74. Thus the methods of the present invention provide for the successful operation of valves which require transient high transient power, such as sub-surface safety valves.

          It will be clear that a variety of hydraulic devices may be substituted for shutoff valve 74, which has been described for illustrative purposes only. It should also be clear that  
35 communication system 34 and hydraulic system 70 provided by the present invention, while

5 located on tubing string 26 in the preceding description, could be disposed on casing 24 of the well, or any other piping structure associated with the well.

Even though many of the examples discussed herein are applications of the present invention in petroleum wells, the present invention also can be applied to other types of wells, including but not limited to water wells and natural gas wells.

10 One skilled in the art will see that the present invention can be applied in many areas where there is a need to provide a communication system and a hydraulic system within a borehole, well, or any other area that is difficult to access. Also, one skilled in the art will see that the present invention can be applied in many areas where there is an already existing conductive piping structure and a need to route power and communications to a hydraulic system located  
15 proximate the piping structure. A water sprinkler system or network in a building for extinguishing fires is an example of a piping structure that may be already existing and may have same or similar path as that desired for routing power and communications to a hydraulic system. In such case another piping structure or another portion of the same piping structure may be used as the electrical return. The steel structure of a building may also be used as a piping structure  
20 and/or electrical return for transmitting power and communications to a hydraulic system in accordance with the present invention. The steel rebar in a concrete dam or a street may be used as a piping structure and/or electrical return for transmitting power and communications to a hydraulic system in accordance with the present invention. The transmission lines and network of piping between wells or across large stretches of land may be used as a piping structure and/or  
25 electrical return for transmitting power and communications to a hydraulic system in accordance with the present invention. Surface refinery production pipe networks may be used as a piping structure and/or electrical return for transmitting power and communications in accordance with the present invention. Thus, there are numerous applications of the present invention in many different areas or fields of use.

30 It should be apparent from the foregoing that an invention having significant advantages has been provided. While the invention is shown in only a few of its forms, it is not just limited but is susceptible to various changes and modifications without departing from the spirit thereof.



5

## CLAIMS

We claim:

1. A method of operating a downhole device in a petroleum well having a borehole and a piping structure positioned within the borehole, comprising the steps of:  
10       delivering a time varying current along the piping structure to a downhole location;  
          pressurizing a hydraulic fluid using the time varying current at the downhole location;  
          and  
          operating the downhole device using the pressurized hydraulic fluid.
- 15   2. The method according to claim 1, including the steps of:  
      operating a motor at the downhole location; and  
      driving a pump with said motor to pressurize the hydraulic fluid.
3. The method according to claim 1 wherein the delivering step further comprising:  
20       impeding the time-varying current on the piping structure to define a conductive  
          section; and  
          routing the time varying current along the conductive section of the piping structure.
4. The method according to claim 2 wherein the step of operating the downhole device  
      further comprises the steps of:  
25       providing an actuator operably connected to the downhole device and hydraulically  
          connected to the pump; and  
          selectively driving the actuator with the pressurized hydraulic fluid such that the  
          downhole device is actuated.
5. The method according to claim 4 wherein the step of selectively driving further comprises  
30       providing a pilot valve hydraulically connected between the pump and the actuator; and  
          adjusting the pilot valve to selectively drive the actuator.

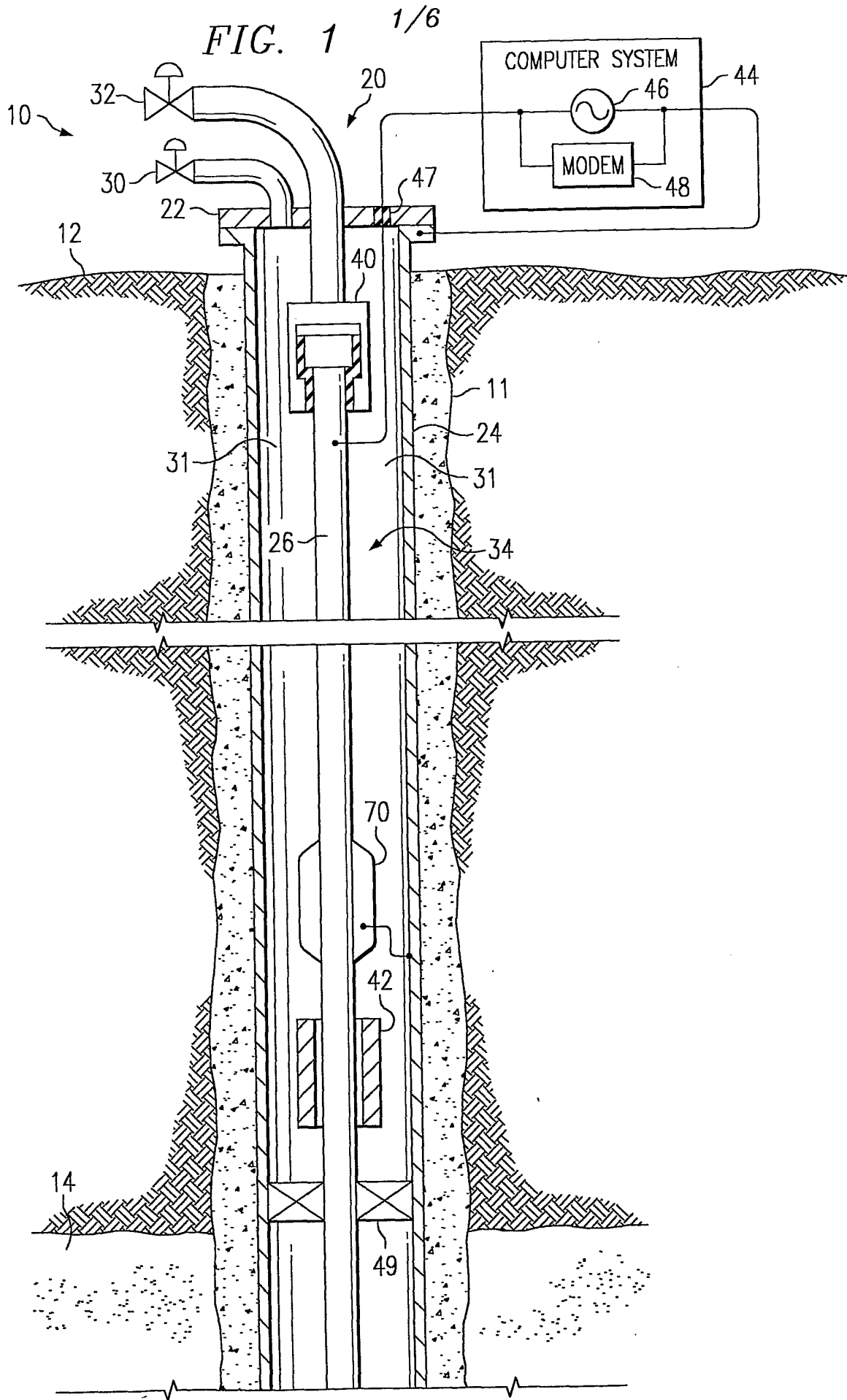
- 5 6. The method according to claim 1 further comprising the step of:  
storing hydraulic fluid in a reservoir; and  
drawing hydraulic fluid from the reservoir.
7. The method according to claim 1 further comprising the steps of:  
collecting pressurized hydraulic fluid in an accumulator; and  
10 selectively releasing pressurized hydraulic fluid from the accumulator to operate the  
downhole device.
8. The method according to claim 1 further comprising:  
collecting pressurized hydraulic fluid in an accumulator;  
providing an actuator operably connected to the downhole device and hydraulically  
15 connected to the accumulator; and  
selectively releasing pressurized hydraulic fluid from the accumulator to drive the  
actuator, thereby operating the downhole device.
9. The method according to claim 8 wherein the step of selectively releasing further  
comprises:  
20 providing a pilot valve hydraulically connected between the accumulator and the  
actuator; and  
adjusting the pilot valve to selectively drive the actuator.
10. The method according to claim 1 further comprising the steps of:  
impeding the time varying current on the piping structure;  
25 routing the time varying current along the piping structure to the downhole location;  
providing an actuator operably connected to the downhole device and hydraulically  
connected to a pump; and  
selectively operating a pilot valve hydraulically connected between the pump and the  
actuator to drive the actuator, thereby operating the downhole device.
- 30 11. The method according to claim 10 wherein the downhole device is a main valve and the  
actuator opens and closes the main valve.

- 5 12. The method according to claim 1 further comprising the steps of:  
impeding the time varying current on the piping structure;  
routing the time varying current along the piping structure;  
collecting pressurized hydraulic fluid in an accumulator;  
providing an actuator operably connected to the downhole device and hydraulically  
10 connected to the accumulator; and  
selectively operating a pilot valve hydraulically connected between the accumulator and  
the actuator to drive the actuator, thereby operating the downhole device.
13. The method according to claim 12 wherein the downhole device is a main valve and the  
actuator opens and closes the main valve.
- 15 14. A petroleum well having a borehole and a piping structure positioned within the borehole  
comprising:  
a communications system operably associated with the piping structure for transmitting  
a time varying signal along the piping structure; and  
a hydraulic system electrically connected to the piping structure and configured for  
20 connection to a downhole device, wherein the hydraulic system is configured to  
receive power from said time varying signal and to operate the downhole device.
15. The petroleum well of claim 14 wherein the time varying signal includes a  
communications signal to selectively operate the downhole device.
- 25 16. The petroleum well of claim 14 wherein the communication system further comprises:  
an impedance device positioned around the piping structure to define a conducting  
portion; and  
wherein the time varying current is passed along the conducting portion of the piping  
structure.
- 30 17. The petroleum well of claim 14 wherein the downhole device is a downhole emergency  
shutoff valve.

- 5 18. The petroleum well of claim 14 wherein the hydraulic system further comprises:  
a motor for receiving the time varying current from the piping structure;  
a pump for selectively pressurizing a hydraulic fluid, the pump being operably  
connected to and driven by the motor;  
an actuator hydraulically connected to the pump and operably connected to the  
10 downhole device; and  
wherein the pressurized hydraulic fluid is used to drive the actuator, thereby operating  
the downhole device.
19. The petroleum well of claim 14 wherein the hydraulic system further comprises:  
a motor for receiving the time varying current from the piping structure;  
15 a pump for selectively pressurizing a hydraulic fluid, the pump being operably  
connected to and driven by the motor;  
a pilot valve hydraulically connected to the pump;  
an actuator hydraulically connected to the pilot valve and operably connected to the  
downhole device; and  
20 wherein the pilot valve selectively routes pressurized hydraulic fluid to the actuator,  
thereby driving the actuator and operating the downhole device.
20. The petroleum well of claim 19, wherein the downhole device is a valve.
21. The petroleum well of claim 14 wherein the hydraulic system further comprises:  
a motor for receiving the time varying current from the piping structure;  
25 a pump for selectively pressurizing a hydraulic fluid, the pump being operably  
connected to and driven by the motor;  
an accumulator hydraulically connected to the pump for collecting pressurized  
hydraulic fluid;  
an actuator hydraulically connected to the accumulator and operably connected to the  
30 downhole device; and  
wherein the pressurized hydraulic fluid supplied by the accumulator drives the actuator  
thereby operating the downhole device.

- 5 22. The petroleum well of claim 14 wherein the hydraulic system further comprises:  
a motor for receiving the time varying current from the piping structure;  
a pump for selectively pressurizing a hydraulic fluid, the pump being operably  
connected to and driven by the motor;  
an accumulator hydraulically connected to the pump for collecting pressurized  
10 hydraulic fluid;  
a pilot valve hydraulically connected to the accumulator;  
an actuator hydraulically connected to the pilot valve and operably connected to the  
downhole device; and  
wherein the pilot valve selectively routes pressurized hydraulic fluid to the actuator,  
15 thereby driving the actuator and operating the downhole device.
23. A hydraulic actuation system comprising:  
a motor configured to receive a time varying signal delivered along a piping structure;  
a pump for pressurizing a hydraulic fluid, the pump being operably connected to and  
being driven by the motor; and  
20 an actuator hydraulically connected to the pump and configured for operable attachment  
to a target device, wherein the actuator is selectively driven by the pressurized  
hydraulic fluid, thereby operating the target device.
24. The hydraulic actuation system according to claim 23, including:  
an impedance device positioned around the piping structure to define a conducting  
25 portion; and  
wherein the time varying current is passed along the conducting portion of the piping  
structure.
25. The hydraulic actuation system according to claim 23, wherein the time varying signal  
includes a communications signal to selectively operate said target device  
30
26. The hydraulic actuation system according to claim 23 further comprising:  
a pilot valve hydraulically connected between the pump and the actuator; and  
wherein the pilot valve selectively routes pressurized hydraulic fluid to the actuator.

- 5 27. The hydraulic actuation system according to claim 23 further comprising an accumulator hydraulically connected to the pump for collecting pressurized hydraulic fluid.
28. The hydraulic actuation system according to claim 23 further comprising:  
an accumulator hydraulically connected to the pump for collecting pressurized  
hydraulic fluid; and  
10 a pilot valve hydraulically connected between the accumulator and the actuator, wherei  
the pilot valve selectively routes pressurized hydraulic fluid to the actuator
29. The hydraulic actuation system according to claim 23 further comprising:  
an accumulator hydraulically connected to the pump for collecting pressurized  
hydraulic fluid;  
15 a pilot valve hydraulically connected between the accumulator and the actuator, wherei  
the pilot valve selectively routes pressurized hydraulic fluid to the actuator;  
wherein an electrically insulating joint is positioned on the pipe member;  
wherein an induction choke is positioned around the pipe member; and  
wherein the time varying current is routed along the pipe member between the  
20 electrically insulating joint and the induction choke.



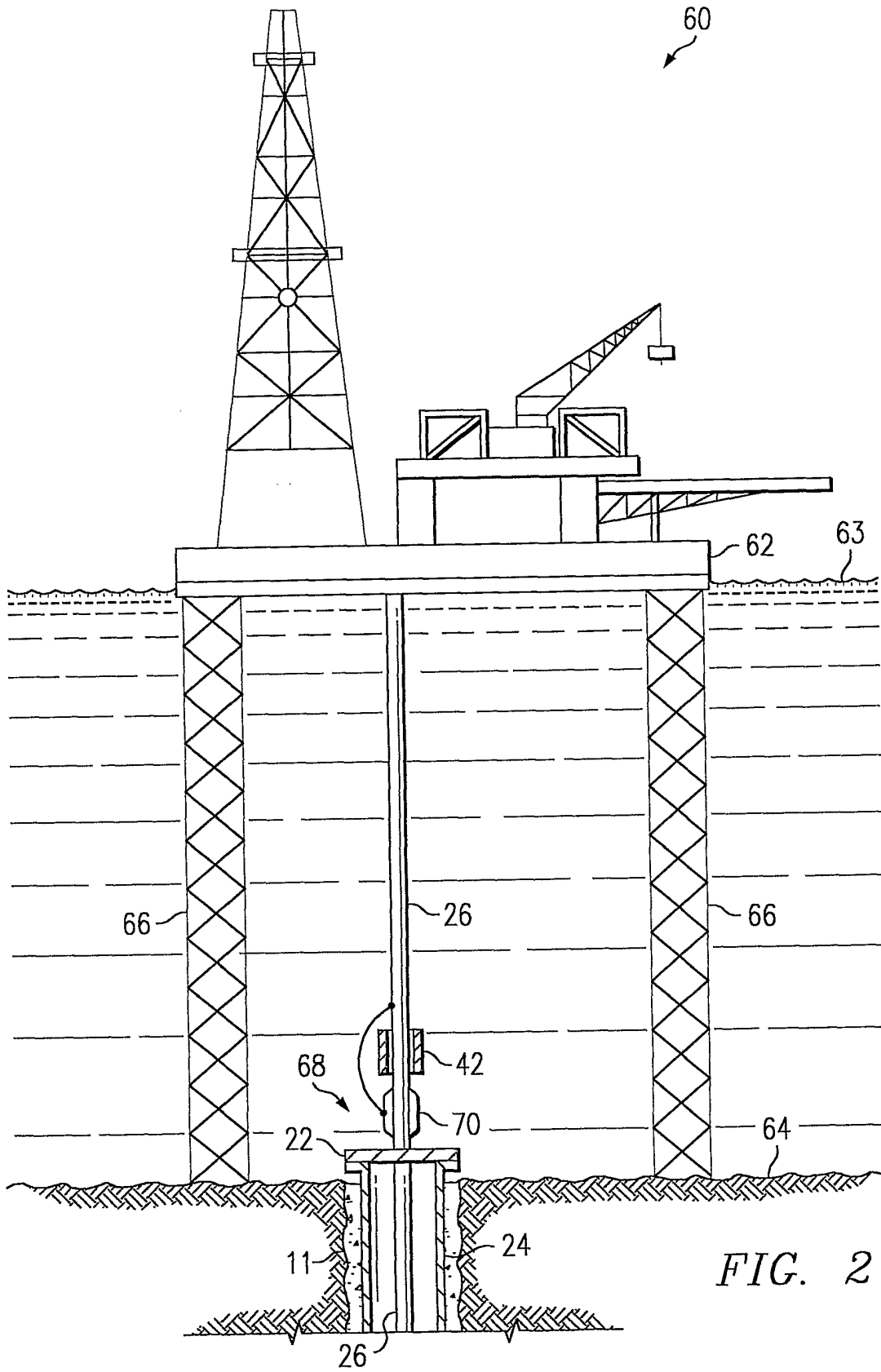
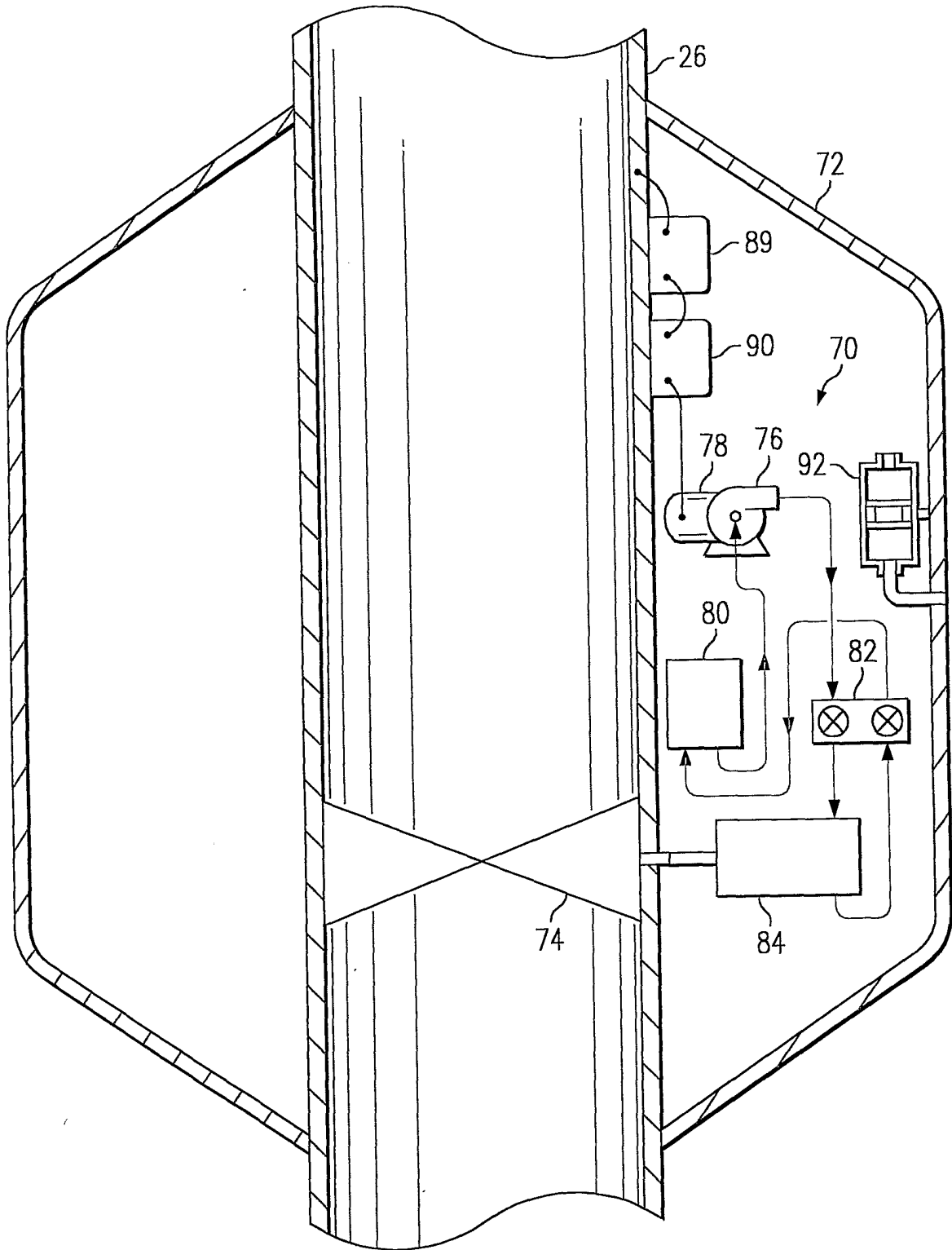


FIG. 2



FIG. 3



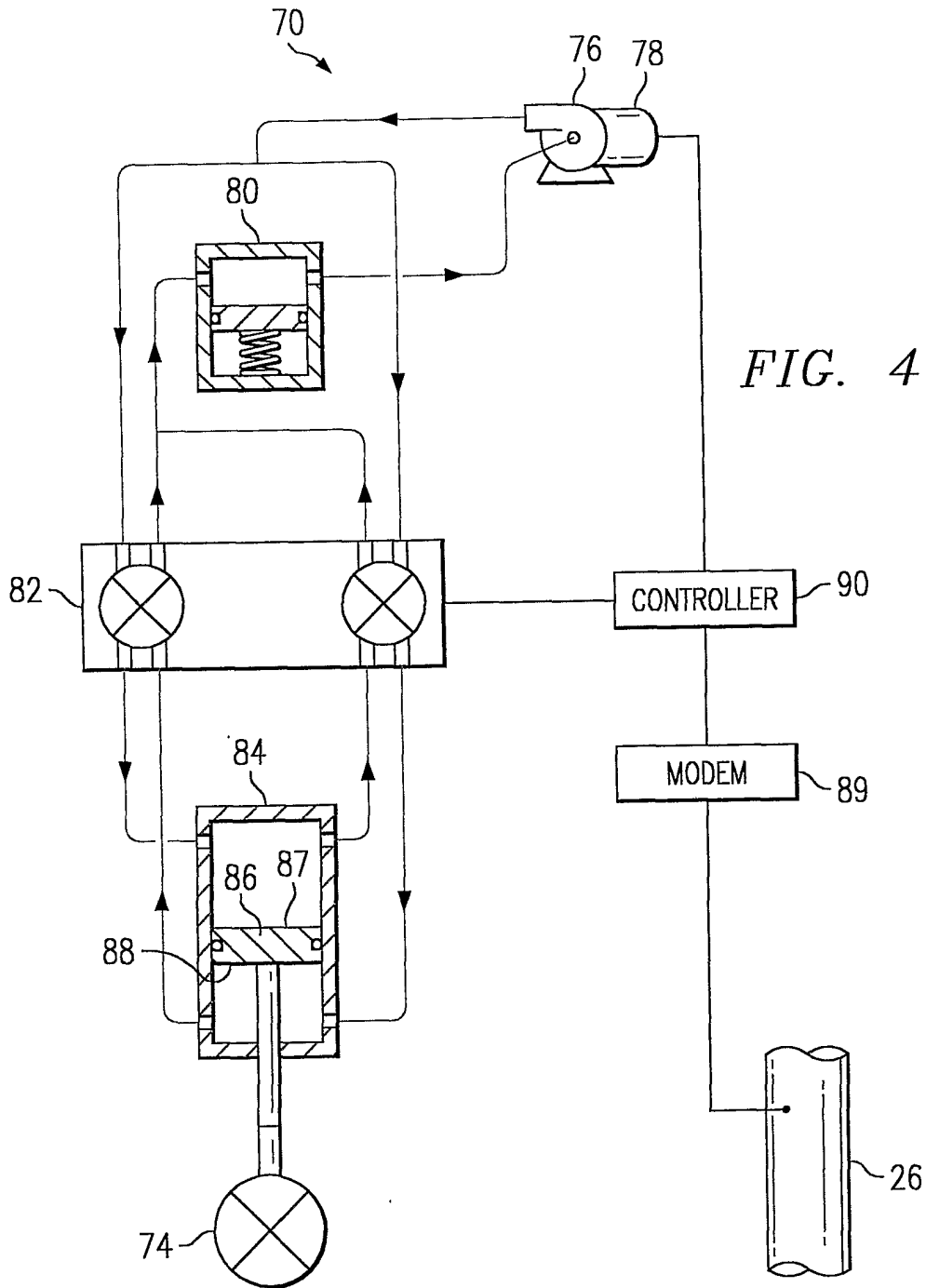
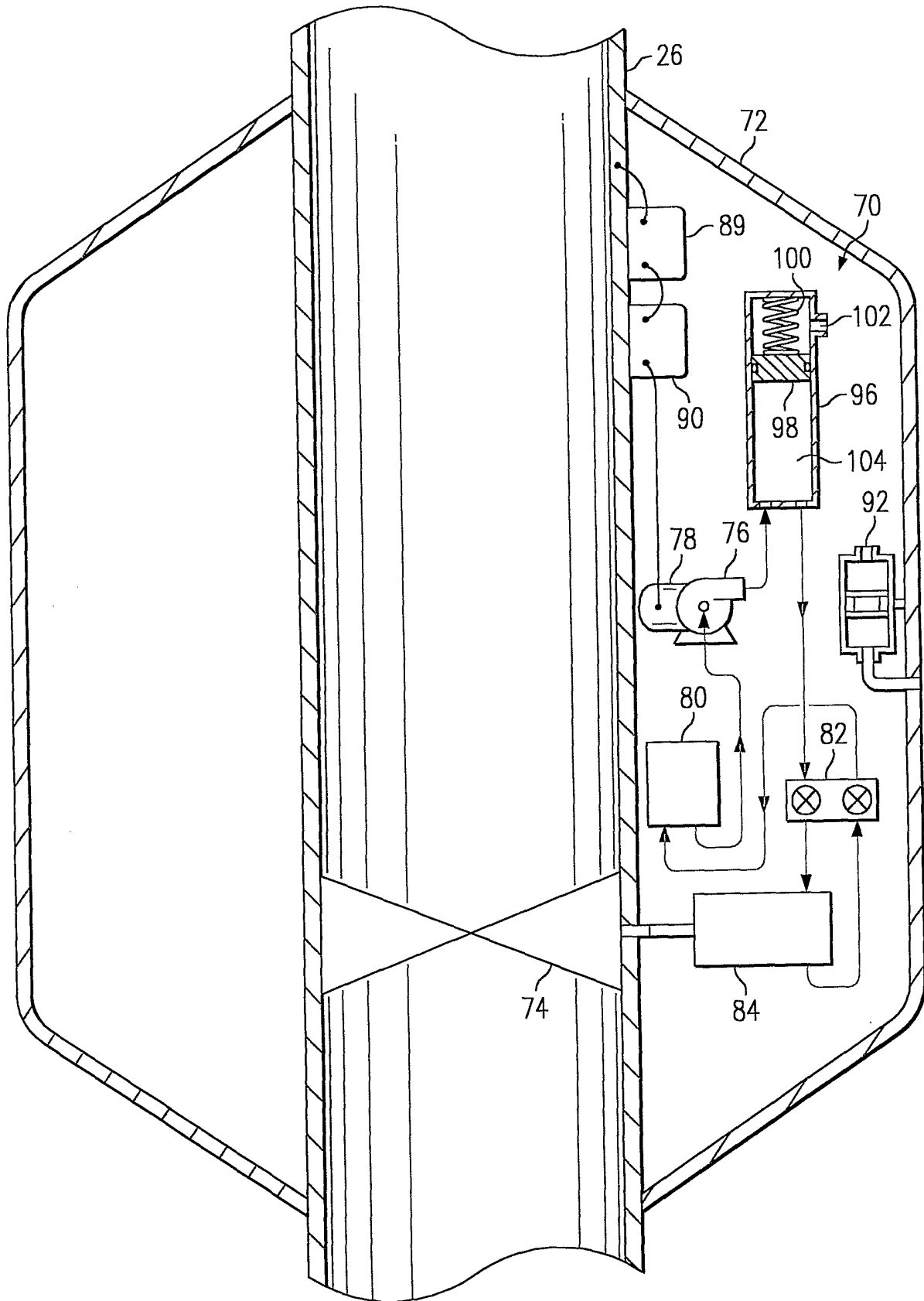


FIG. 5



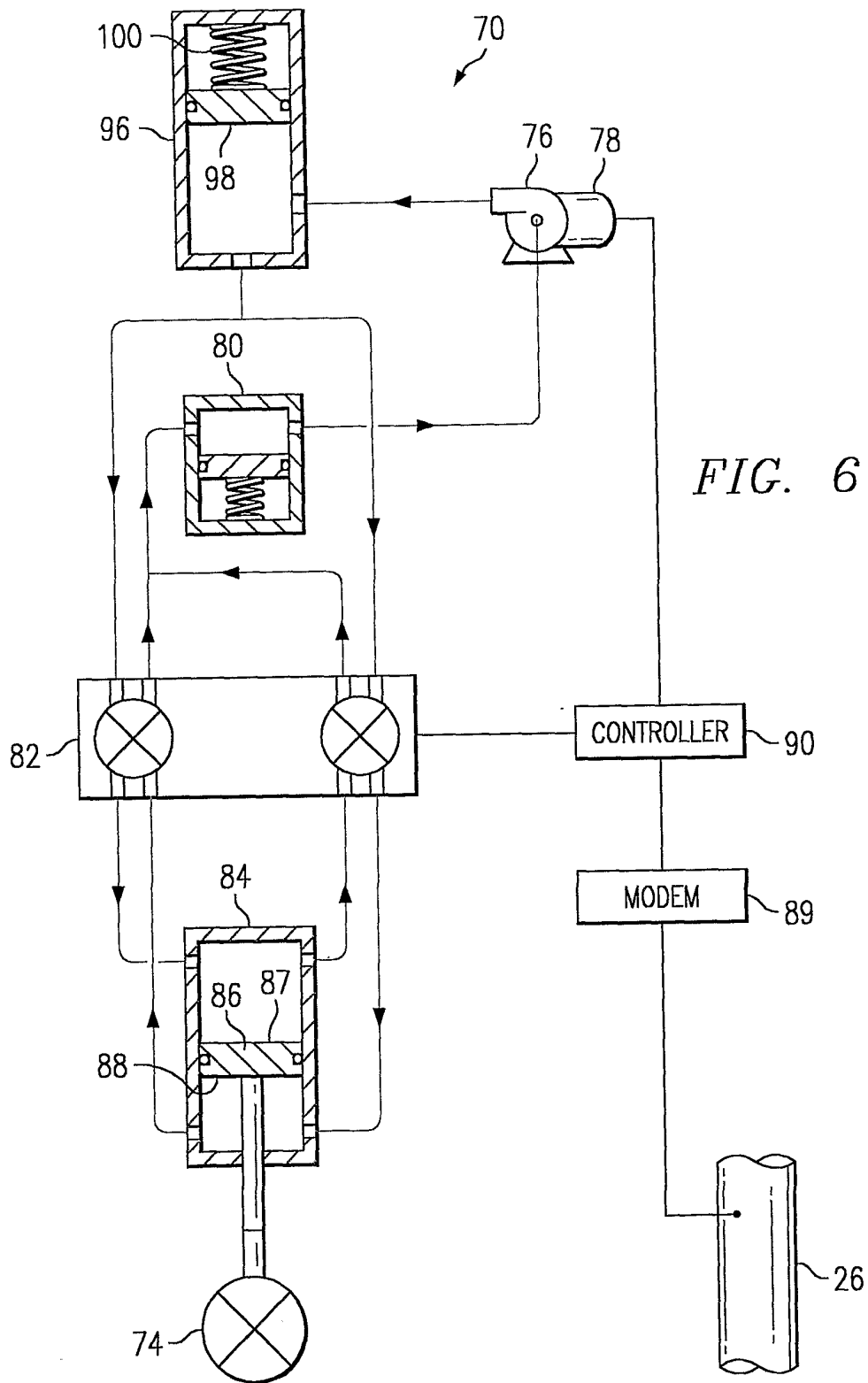


FIG. 6

**INTERNATIONAL SEARCH REPORT**

Internal	Application No
	PCT/US 01/06949

**A. CLASSIFICATION OF SUBJECT MATTER**  
 IPC 7 E21B34/06 E21B17/00 E21B47/12 F16K31/06

According to International Patent Classification (IPC) or to both national classification and IPC

**B. FIELDS SEARCHED**

Minimum documentation searched (classification system followed by classification symbols)  
 IPC 7 E21B F16K

Documentation searched other than minimum documentation to the extent that such documents are included in the fields searched

Electronic data base consulted during the international search (name of data base and, where practical, search terms used)

EPO-Internal, TULSA

**C. DOCUMENTS CONSIDERED TO BE RELEVANT**

Category °	Citation of document, with indication, where appropriate, of the relevant passages	Relevant to claim No.
X	US 5 257 663 A (MORRIS ARTHUR J ET AL) 2 November 1993 (1993-11-02)	1, 2, 4, 6-8, 23, 25, 27
Y	column 8, line 34-59; figure 3B column 10, line 5-15; figure 4C	3, 5, 9-22, 24, 26, 28, 29
Y	--- US 5 971 072 A (HUBER KLAUS B ET AL) 26 October 1999 (1999-10-26)	5, 9, 12, 13, 19, 20, 22, 26, 28, 29
Y	--- EP 0 721 053 A (SHELL INT RESEARCH) 10 July 1996 (1996-07-10) column 4, line 31-44; figure 2 --- -/-	3, 10-22, 24

Further documents are listed in the continuation of box C.

Patent family members are listed in annex.

° Special categories of cited documents :

- \*A\* document defining the general state of the art which is not considered to be of particular relevance
- \*E\* earlier document but published on or after the international filing date
- \*L\* document which may throw doubts on priority claim(s) or which is cited to establish the publication date of another citation or other special reason (as specified)
- \*O\* document referring to an oral disclosure, use, exhibition or other means
- \*P\* document published prior to the international filing date but later than the priority date claimed

- \*T\* later document published after the international filing date or priority date and not in conflict with the application but cited to understand the principle or theory underlying the invention
- \*X\* document of particular relevance; the claimed invention cannot be considered novel or cannot be considered to involve an inventive step when the document is taken alone
- \*Y\* document of particular relevance; the claimed invention cannot be considered to involve an inventive step when the document is combined with one or more other such documents, such combination being obvious to a person skilled in the art.
- \*&\* document member of the same patent family

Date of the actual completion of the international search

21 May 2001

Date of mailing of the international search report

30/05/2001

Name and mailing address of the ISA

European Patent Office, P.B. 5818 Patentlaan 2  
 NL - 2280 HV Rijswijk  
 Tel. (+31-70) 340-2040, Tx. 31 651 epo nl,  
 Fax: (+31-70) 340-3016

Authorized officer

van Berlo, A

## INTERNATIONAL SEARCH REPORT

International Application No

PCT/us 01/06949

## C.(Continuation) DOCUMENTS CONSIDERED TO BE RELEVANT

Category °	Citation of document, with indication, where appropriate, of the relevant passages	Relevant to claim No.
Y	US 3 837 618 A (JUHEL B) 24 September 1974 (1974-09-24) figures 1-4 -----	29
A	US 5 358 035 A (GRUDZINSKI RICHARD) 25 October 1994 (1994-10-25) column 3, line 13-23 column 4, line 4-29 -----	1,14,23
A	EP 0 919 696 A (HALLIBURTON ENERGY SERV INC) 2 June 1999 (1999-06-02) abstract; figures 1-3,5,7 -----	1
A	EP 0 972 909 A (HALLIBURTON ENERGY SERV INC) 19 January 2000 (2000-01-19) column 1, line 40-51 -----	1
A	US 5 941 307 A (TUBEL PAULO) 24 August 1999 (1999-08-24) column 21, line 57 -column 22, line 56 -----	1
A	US 3 732 728 A (FITZPATRICK J) 15 May 1973 (1973-05-15) column 1, line 66 -column 2, line 2 column 10, line 26 -column 11, line 13 -----	14

## INTERNATIONAL SEARCH REPORT

ation on patent family members

Internat Application No

PCT/US 01/06949

Patent document cited in search report	Publication date	Patent family member(s)	Publication date
US 5257663 A	02-11-1993	US 5236047 A GB 2260352 A, B GB 2264134 A, B GB 2264135 A, B GB 2264136 A, B GB 2264137 A GB 2264138 A, B NO 304475 B US 5226491 A US 5230383 A US 5207272 A	17-08-1993 14-04-1993 18-08-1993 18-08-1993 18-08-1993 18-08-1993 18-08-1993 21-12-1998 13-07-1993 27-07-1993 04-05-1993
US 5971072 A	26-10-1999	NONE	
EP 0721053 A	10-07-1996	BR 9606966 A CA 2208661 A DE 69600520 D DE 69600520 T DK 800614 T WO 9621085 A EP 0800614 A NO 973088 A US 5745047 A	04-11-1997 11-07-1996 17-09-1998 28-01-1999 28-06-1999 11-07-1996 15-10-1997 02-07-1997 28-04-1998
US 3837618 A	24-09-1974	NONE	
US 5358035 A	25-10-1994	FR 2695450 A CA 2105526 A GB 2270707 A, B	11-03-1994 08-03-1994 23-03-1994
EP 0919696 A	02-06-1999	US 6144316 A NO 985279 A	07-11-2000 02-06-1999
EP 0972909 A	19-01-2000	US 6160492 A NO 993514 A	12-12-2000 18-01-2000
US 5941307 A	24-08-1999	US 5732776 A US 6192988 B AU 708330 B AU 4980696 A AU 5022396 A CA 2187422 A CA 2187423 A GB 2302114 A, B GB 2302432 A NO 960518 A NO 960527 A US 6192980 B WO 9624751 A WO 9624747 A US 6176312 B US 5975204 A	31-03-1998 27-02-2001 05-08-1999 27-08-1996 27-08-1996 15-08-1996 15-08-1996 08-01-1997 15-01-1997 12-08-1996 12-08-1996 27-02-2001 15-08-1996 15-08-1996 23-01-2001 02-11-1999
US 3732728 A	15-05-1973	NONE	