

(19) World Intellectual Property Organization
International Bureau



(43) International Publication Date
3 March 2005 (03.03.2005)

PCT

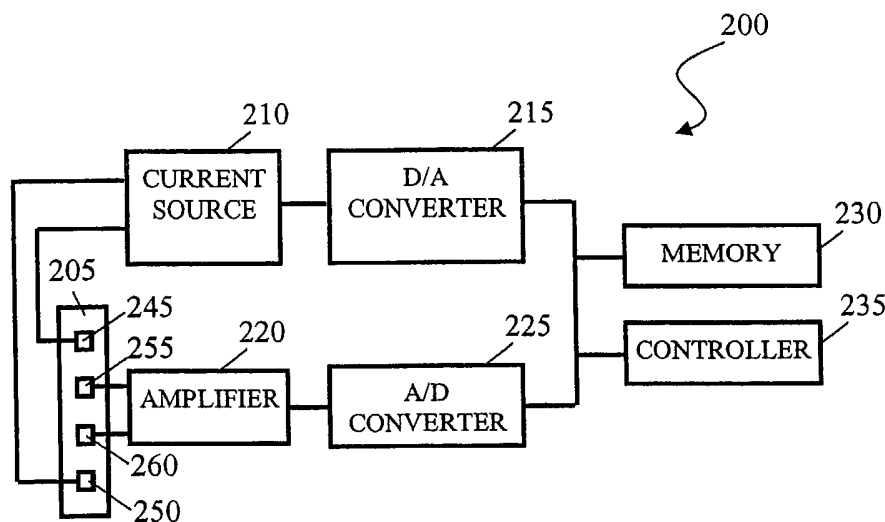
(10) International Publication Number
WO 2005/018432 A3

- (51) International Patent Classification⁷: A61B 5/05
 - (21) International Application Number: PCT/US2004/027106
 - (22) International Filing Date: 20 August 2004 (20.08.2004)
 - (25) Filing Language: English
 - (26) Publication Language: English
 - (30) Priority Data:

| | | |
|------------|-----------------------------|----|
| 60/496,558 | 20 August 2003 (20.08.2003) | US |
| 60/570,852 | 13 May 2004 (13.05.2004) | US |
 - (71) Applicant (for all designated States except US): PHILOMETRON, INC. [US/US]; 11772 Sorrento Valley Road, Suite 152, San Diego, California 92121 (US).
 - (72) Inventors; and
 - (75) Inventors/Applicants (for US only): LACKEY, Robert Paul [US/US]; 3338 Fosca Street, Carlsbad, California 92009 (US). DRINAN, Darrel Dean [US/US]; 3830 Valley Centre Drive, Suite 705 PMB 224, San Diego, California 92130 (US). EDMAN, Carl Frederick [US/US]; 12545 El Camino Real, #C, San Diego, California 92130 (US).
 - (74) Agent: HART, Daniel; KNOBBE MARTENS OLSON & BEAR LLP, 2040 Main Street, 14th Floor, Irvine, California 92614 (US).
 - (81) Designated States (unless otherwise indicated, for every kind of national protection available): AE, AG, AL, AM, AT, AU, AZ, BA, BB, BG, BR, BW, BY, BZ, CA, CH, CN, CO, CR, CU, CZ, DE, DK, DM, DZ, EC, EE, EG, ES, FI, GB, GD, GE, GH, GM, HR, HU, ID, IL, IN, IS, JP, KE, KG, KP, KR, KZ, LC, LK, LR, LS, LT, LU, LV, MA, MD, MG, MK, MN, MW, MX, MZ, NA, NI, NO, NZ, OM, PG, PH, PL, PT, RO, RU, SC, SD, SE, SG, SK, SL, SY, TJ, TM, TN, TR, TT, TZ, UA, UG, US, UZ, VC, VN, YU, ZA, ZM, ZW.
 - (84) Designated States (unless otherwise indicated, for every kind of regional protection available): ARIPO (BW, GH, GM, KE, LS, MW, MZ, NA, SD, SL, SZ, TZ, UG, ZM, ZW), Eurasian (AM, AZ, BY, KG, KZ, MD, RU, TJ, TM), European (AT, BE, BG, CH, CY, CZ, DE, DK, EE, ES, FI, FR, GB, GR, HU, IE, IT, LU, MC, NL, PL, PT, RO, SE, SI, SK, TR), OAPI (BF, BJ, CF, CG, CI, CM, GA, GN, GQ, GW, ML, MR, NE, SN, TD, TG).
- Published:
— with international search report
- (88) Date of publication of the international search report:
6 May 2005

[Continued on next page]

(54) Title: HYDRATION MONITORING



(57) Abstract: Systems and techniques for monitoring hydration. In one implementation, a method includes measuring an electrical impedance of a region of a subject to generate an impedance measurement result, and wirelessly transmitting the data to a remote apparatus. The probe (200) with which impedance is measured using electrodes (245, 250, 255, 260) may in the form of a patch (205) adhesively secured to the subject.

WO 2005/018432 A3



For two-letter codes and other abbreviations, refer to the "Guidance Notes on Codes and Abbreviations" appearing at the beginning of each regular issue of the PCT Gazette.

INTERNATIONAL SEARCH REPORT

International application No.
PCT/US04/27106

A. CLASSIFICATION OF SUBJECT MATTER

IPC(7) : A61B 5/05
US CL : 600/547

According to International Patent Classification (IPC) or to both national classification and IPC

B. FIELDS SEARCHED

Minimum documentation searched (classification system followed by classification symbols)
U.S. : 600/506, 547, 554; 606/32; 607/115, 152

Documentation searched other than minimum documentation to the extent that such documents are included in the fields searched

Electronic data base consulted during the international search (name of data base and, where practicable, search terms used)
Please See Continuation Sheet

C. DOCUMENTS CONSIDERED TO BE RELEVANT

| Category * | Citation of document, with indication, where appropriate, of the relevant passages | Relevant to claim No. |
|------------|---|-----------------------|
| X | US 6,595,929 B2 (STIVORIC et al) 22 July 2003 (22.07.2003), see entire document. | 1, 2, 5-17 |
| X, E | US 2004/0171962 A1 (LEVEQUE et al) 02 September 2004 (02.09.2004), see entire document. | 1-17 |
| X, E | US 6,790,178 B1 (MAULT et al) 14 September 2004 (14.09.2004), see entire document. | 1, 2, 5, 7-17 |
| A | US 5,738,107 A (MARTINSEN et al) 14 April 1998 (14.04.1998), see entire document. | 1-17 |

Further documents are listed in the continuation of Box C. See patent family annex.

| * Special categories of cited documents: | " |
|---|--|
| "A" document defining the general state of the art which is not considered to be of particular relevance | "T" later document published after the international filing date or priority date and not in conflict with the application but cited to understand the principle or theory underlying the invention |
| "E" earlier application or patent published on or after the international filing date | "X" document of particular relevance; the claimed invention cannot be considered novel or cannot be considered to involve an inventive step when the document is taken alone |
| "L" document which may throw doubts on priority claim(s) or which is cited to establish the publication date of another citation or other special reason (as specified) | "Y" document of particular relevance; the claimed invention cannot be considered to involve an inventive step when the document is combined with one or more other such documents, such combination being obvious to a person skilled in the art |
| "O" document referring to an oral disclosure, use, exhibition or other means | "&" document member of the same patent family |
| "P" document published prior to the international filing date but later than the priority date claimed | |

| | |
|---|--|
| Date of the actual completion of the international search 26 January 2005 (26.01.2005) | Date of mailing of the international search report 18 FEB 2005 |
|---|--|

| | |
|---|--|
| Name and mailing address of the ISA/US Mail Stop PCT, Attn: ISA/US Commissioner for Patents P.O. Box 1450 Alexandria, Virginia 22313-1450 Facsimile No. (703) 305-3230 | Authorized officer  Charles A. Marmor, Jr. Telephone No. (703) 308-0858 |
|---|--|

INTERNATIONAL SEARCH REPORT

PCT/US04/27106

Continuation of B. FIELDS SEARCHED Item 3:

EAST

search terms: impedance, bioimpedance, spectroscopy, probe, electrodes, hydration, wireless, telemetry, temperature, sensor, vasodilation, pulmonary edema