



US00D827333S

(12) **United States Design Patent**  
**Patton et al.**

(10) **Patent No.:** **US D827,333 S**

(45) **Date of Patent:** **\*\* Sep. 4, 2018**

(54) **MAT**

(71) Applicant: **Varidesk, LLC**, Coppell, TX (US)

(72) Inventors: **David Patton**, Flower Mound, TX (US); **Coco Chang**, Lewisville, TX (US)

(73) Assignee: **Varidesk, LLC**, Coppell, TX (US)

(\*\*) Term: **15 Years**

(21) Appl. No.: **29/582,580**

(22) Filed: **Oct. 28, 2016**

(51) **LOC (11) Cl.** ..... **06-11**

(52) **U.S. Cl.**  
USPC ..... **D6/582**

(58) **Field of Classification Search**  
USPC ..... D3/304; D7/550.1, 553.1, 553.2, 553.3,  
D7/553.7, 554.3

See application file for complete search history.

(56) **References Cited**

**U.S. PATENT DOCUMENTS**

1,351,285	A *	8/1920	Chess	.....	A01M 1/2011 294/172
1,756,380	A	4/1930	Osborn		
D133,036	S	7/1942	Harwell		
D172,245	S *	5/1954	Netzler	.....	D7/543
2,752,915	A	7/1956	Riblet		
D186,488	S	10/1959	Madl		
3,100,483	A	8/1963	Altmeyer		
3,323,151	A *	6/1967	Lerman	.....	A47C 4/52 297/183.5
3,434,715	A	3/1969	Brantingham et al.		
D232,935	S *	9/1974	Stahel	.....	D19/95
4,253,661	A	3/1981	Russell		
4,329,981	A	5/1982	Dungl		
D267,028	S	11/1982	Spisak		

4,421,110	A	12/1983	DeLisle et al.
4,603,851	A	8/1986	Russell
4,772,014	A	9/1988	Rebman
4,784,888	A	11/1988	Schwertner et al.
			(Continued)

**FOREIGN PATENT DOCUMENTS**

CN	S 63279847	A	11/1988
CN	202876188	U	4/2013
			(Continued)

**OTHER PUBLICATIONS**

The Original ¾" Gorilla Grip Anti-Fatigue Comfort Mat. Amazon.com. Aug. 15, 2016. <<https://www.amazon.com/dp/B01H6AEHC8?psc=1>>. Accessed Aug. 11, 2017.\*

(Continued)

*Primary Examiner* — Shannon Weekley Morgan  
*Assistant Examiner* — Clare A Gannon  
(74) *Attorney, Agent, or Firm* — Venable LLP; Steven J. Schwarz; Elizabeth C. Gitlin

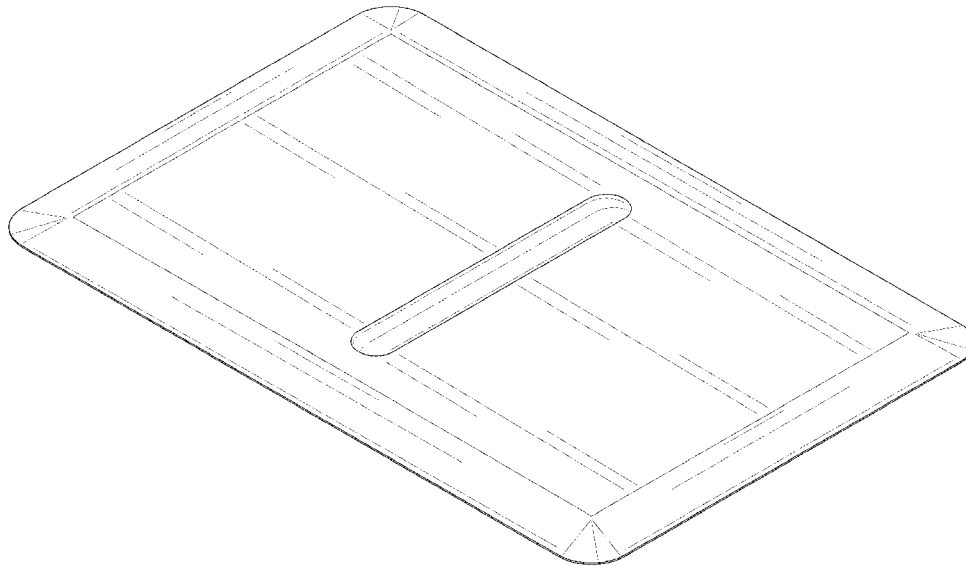
(57) **CLAIM**

The ornamental design for a mat, as shown and described.

**DESCRIPTION**

FIG. 1 is a front perspective view of a mat, according to the new design.  
FIG. 2 is a front elevational view thereof.  
FIG. 3 is a rear elevational view thereof.  
FIG. 4 is a right side view thereof.  
FIG. 5 is a left side view thereof.  
FIG. 6 is a top plan view thereof; and,  
FIG. 7 is a bottom plan view thereof.  
The features shown in broken lines are environment only, and not part of the claimed design.

**1 Claim, 5 Drawing Sheets**



(56)

References Cited

U.S. PATENT DOCUMENTS

4,974,582 A 12/1990 Johnson  
 D315,463 S \* 3/1991 Spiegel ..... A01M 1/2011  
 D12/133  
 5,056,507 A 10/1991 Yum  
 5,108,094 A 4/1992 Quinn et al.  
 5,158,073 A 10/1992 Bukowski  
 5,254,384 A 10/1993 Gordon  
 D354,197 S \* 1/1995 Fish ..... D7/504  
 5,390,775 A 2/1995 Herrick et al.  
 5,402,545 A 4/1995 Jolley  
 D377,130 S 1/1997 Dorrer  
 D385,318 S 10/1997 Videtto  
 D396,293 S 7/1998 Stranner  
 5,787,541 A 8/1998 Chen  
 5,802,743 A 9/1998 Chien  
 D403,547 S \* 1/1999 Adkins ..... D6/582  
 5,897,474 A 4/1999 Romero  
 5,913,839 A 6/1999 Wincek  
 D430,627 S 9/2000 Bergman  
 6,114,014 A 9/2000 Ikeda et al.  
 6,125,984 A 10/2000 Huber et al.  
 6,303,197 B1 10/2001 Hodgetts  
 6,305,040 B1 10/2001 Myler  
 D471,236 S \* 3/2003 Robbins, III ..... D19/82  
 D471,237 S \* 3/2003 Robbins, III ..... D19/83  
 D472,679 S 4/2003 Burington  
 D475,792 S 6/2003 Robbins, III  
 D484,392 S \* 12/2003 Mayo ..... D8/353  
 6,719,248 B2 4/2004 Lamont  
 D495,016 S \* 8/2004 Nudo ..... D21/318  
 D496,110 S 9/2004 Kim  
 D496,702 S 9/2004 Nudo  
 6,846,252 B2 \* 1/2005 Nudo ..... A63B 47/002  
 473/278  
 6,921,372 B2 7/2005 Shin  
 6,942,604 B2 9/2005 Teff  
 D513,774 S 1/2006 Nudo  
 7,073,651 B2 7/2006 Costanzo et al.  
 D547,490 S \* 7/2007 Simester ..... D27/194  
 7,316,597 B2 1/2008 Skededeski  
 D562,416 S \* 2/2008 Fedriga ..... D21/694  
 7,445,833 B2 11/2008 Polley  
 D611,749 S 3/2010 Lubart  
 D612,504 S 3/2010 Ha et al.  
 D623,882 S 9/2010 Oster  
 D626,773 S 11/2010 Oster  
 8,062,189 B1 11/2011 Moring, Jr. et al.  
 D654,162 S \* 2/2012 Sykes ..... D23/393  
 D674,640 S 1/2013 Knoll  
 8,360,940 B2 1/2013 Kole et al.  
 D691,221 S 10/2013 Potts et al.  
 D694,415 S 11/2013 Viner et al.  
 8,677,532 B2 3/2014 Legare  
 8,696,607 B2 4/2014 McDonnell et al.  
 D706,940 S 6/2014 Julian et al.  
 D715,274 S 10/2014 Callas  
 8,888,808 B1 11/2014 Park  
 8,932,322 B2 1/2015 Reynolds et al.  
 8,998,832 B2 4/2015 Almeida et al.  
 D732,182 S 6/2015 Viner et al.  
 9,078,528 B2 7/2015 Ramdath  
 9,079,072 B2 7/2015 Agostini  
 D741,500 S 10/2015 Son  
 9,211,437 B2 12/2015 Soba  
 9,216,321 B2 12/2015 Agostini  
 D770,201 S 11/2016 Dieckhaus  
 D781,435 S 3/2017 Eastman et al.  
 D787,403 S \* 5/2017 Simonsen ..... D12/203

9,700,165 B2 \* 7/2017 Johnson ..... A47G 27/0231  
 9,775,770 B2 10/2017 Eastman et al.  
 2003/0207738 A1 11/2003 Wong  
 2004/0082890 A1 4/2004 Kuo  
 2006/0040811 A1 2/2006 Foster  
 2007/0037672 A1 2/2007 Nakanishi  
 2007/0078020 A1 4/2007 Jong  
 2007/0249476 A1 10/2007 Hill et al.  
 2008/0149122 A1 6/2008 Lovely  
 2008/0214361 A1 9/2008 Oster  
 2009/0139017 A1 6/2009 Anderson  
 2010/0145243 A1 6/2010 Kantor  
 2010/0234189 A1 9/2010 Freitag  
 2012/0028764 A1 2/2012 Miller  
 2012/0065033 A1 3/2012 Moring, Jr. et al.  
 2013/0269112 A1 10/2013 Legare  
 2013/0324382 A1 12/2013 Wilson  
 2015/0126915 A1 5/2015 Reynolds et al.  
 2016/0174745 A1 6/2016 Feeley et al.  
 2016/0255977 A1 9/2016 Burkhalter  
 2016/0270998 A1 9/2016 Nielsen

FOREIGN PATENT DOCUMENTS

CN 203060252 U 7/2013  
 CN 204379726 U 6/2015  
 DE 202012104883 U1 2/2013  
 DE 202014001424 U1 3/2014  
 DE 10 2014 111 572 B3 9/2015  
 GB 2 176 114 A 12/1986  
 JP 355131270 U 9/1980  
 JP H0975414 A 3/1997  
 KR 20030055208 A 7/2003  
 KR 20110000296 U 1/2011  
 WO 1996006559 A1 3/1996  
 WO WO/2003/105654 A1 12/2003  
 WO WO-2012/107740 A1 8/2012  
 WO WO2016/027109 A1 2/2016

OTHER PUBLICATIONS

Ergodriiven, "Infinite Positions on Topo: The Not-Flat Standing Desk Anti-Fatigue Mat," <https://www.youtube.com/watch?v=R8OACVDww0E>, allegedly published on Jan. 15, 2015 (last accessed Nov. 10, 2016), pp. 1-2.  
 36 Beads foot massage pad ball massage pad foot massage device, accessed Jun. 15, 2016, <http://www.aliexpress.com/item/36-beads-foot-massage-pad-ball-massage-pad-foot-mat-foot-massage-device-massage-carpet-mat/32650133815.html>, pp. 1/18-6/18.  
 Bathroom Advice on pressure pad Multi-function Mats Point massage cushion The foot pad Non-slip mat, accessed Jun. 15, 2016, <http://www.aliexpress.com/item/Bathroom-Advice-on-pressure-mad-Multi-function-Mats-Point-massage-cushion-The-foot-pad-Non-slip/1147009316.html>, pp. 1/20-20/20.  
 Office Action dated Oct. 6, 2017 in Design U.S. Appl. No. 29/582,578.  
 Matheson, "How Anti-Fatigue Mats Reduce Fatigue," which was published on the Internet and believed to have been available since at least Jun. 17, 2013, and was retrieved from the Internet on Dec. 21, 2016; URL:<<https://web.archive.org/web/20130617040513/http://www.mathesongas.com/industrialgas/pdfs/safety/matting.pdf>>, 13 pages.  
 International Search Report and Written Opinion issued in International Application No. PCT/US2017/058747, dated Jan. 16, 2018.  
 Final Office Action issued in U.S. Appl. No. 29/582,578, dated May 18, 2018.

\* cited by examiner

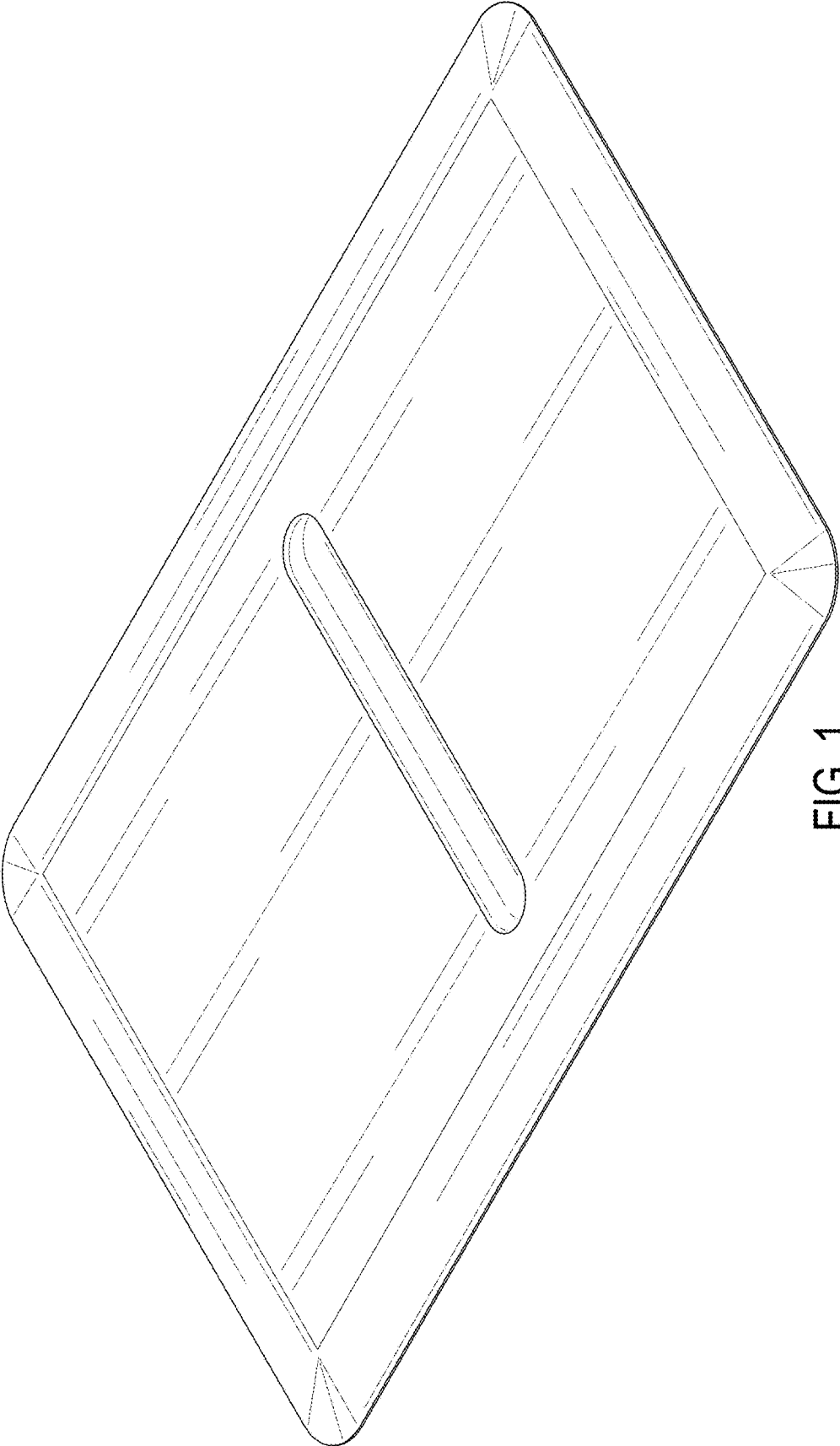


FIG. 1



FIG. 2



FIG. 3



FIG. 4



FIG. 5

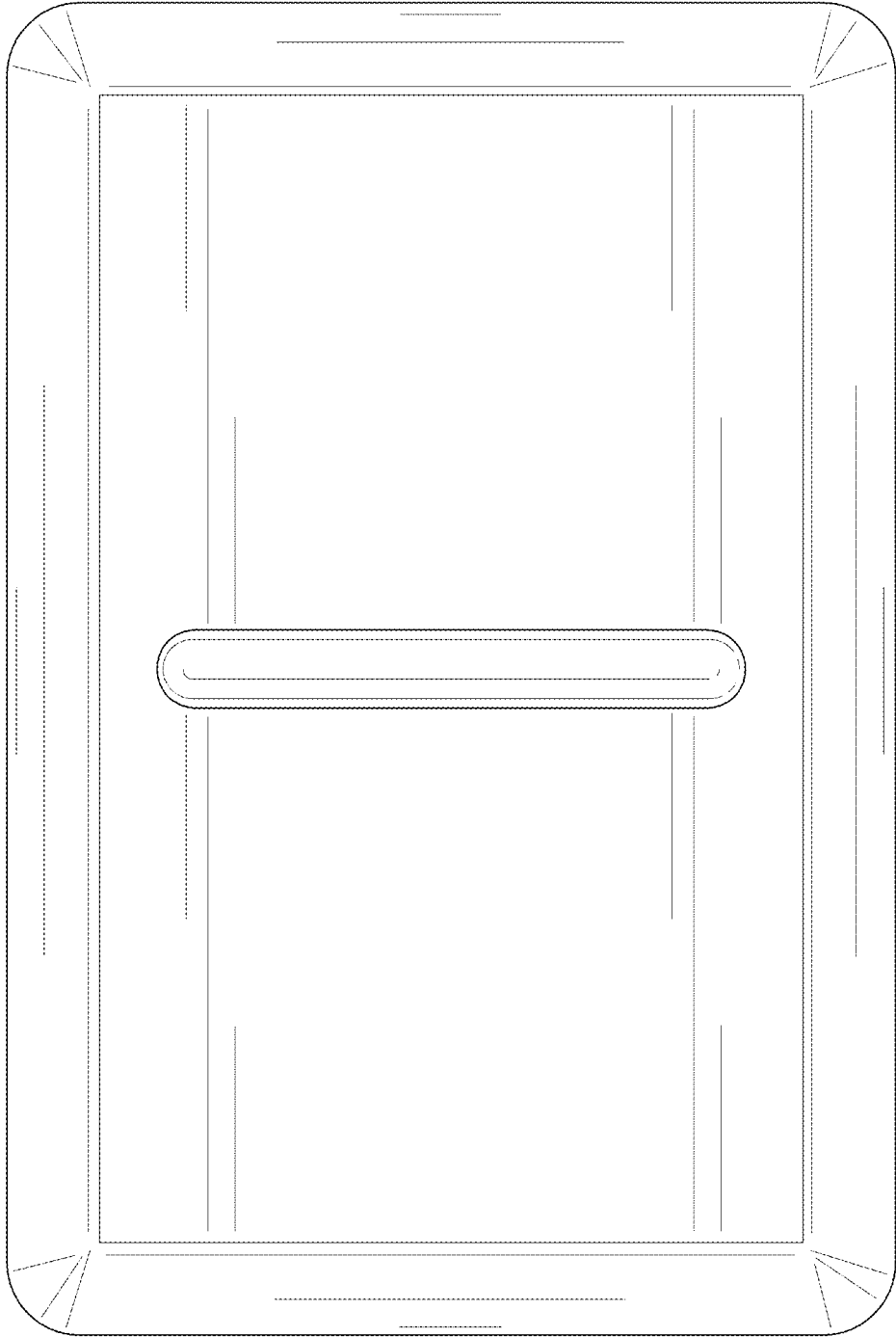


FIG. 6

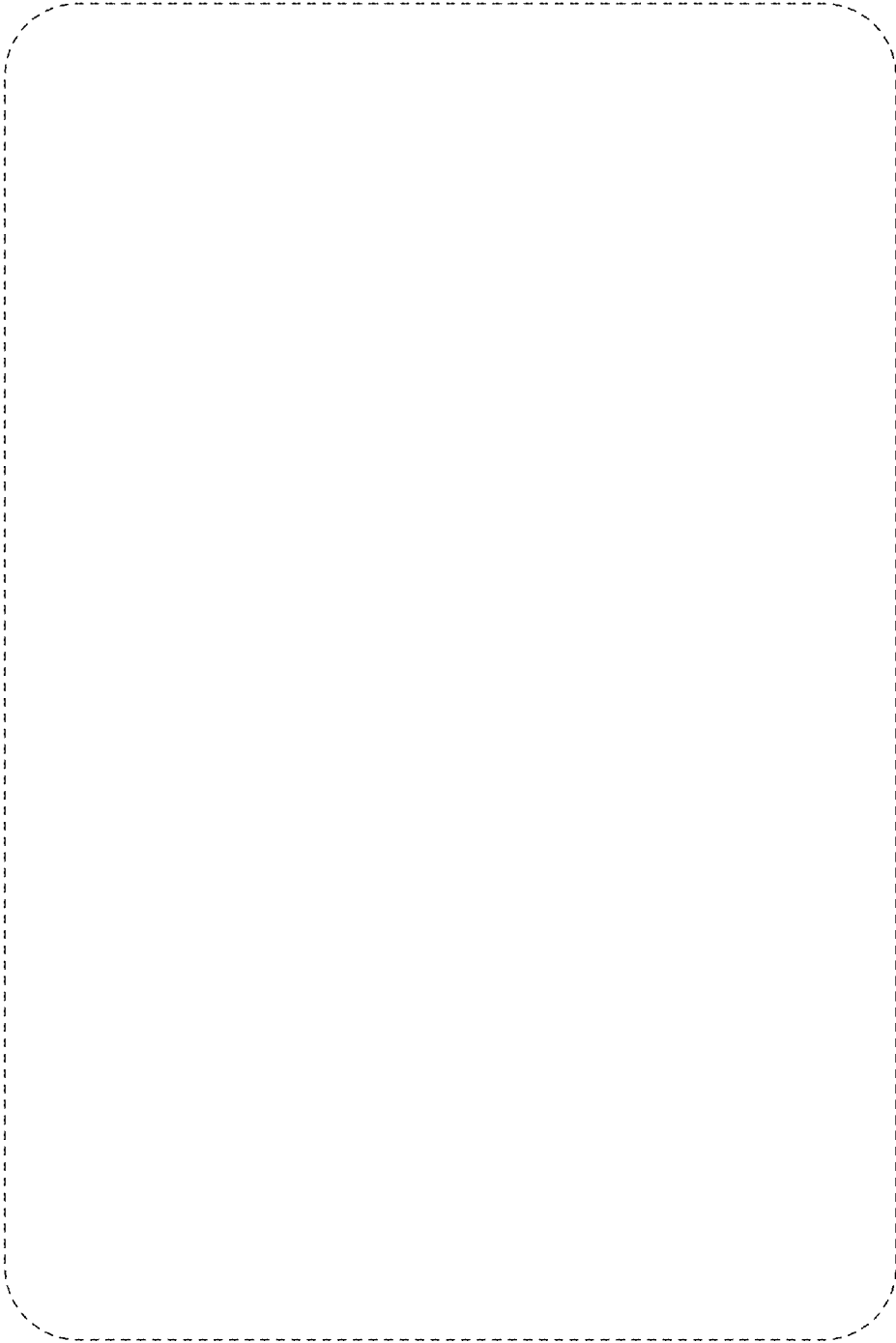


FIG. 7