



- (51) International Patent Classification:
E21B 33/128 (2006.01) E21B 33/127 (2006.01)
- (21) International Application Number:
PCT/US2012/027700
- (22) International Filing Date:
5 March 2012 (05.03.2012)
- (25) Filing Language: English
- (26) Publication Language: English
- (30) Priority Data:
13/044,072 9 March 2011 (09.03.2011) US
- (71) Applicant (for all designated States except US): **BAKER HUGHES INCORPORATED** [US/US]; P.O. Box 4740, Houston, TX 77210-4740 (US).
- (72) Inventors; and
- (75) Inventors/Applicants (for US only): **XU, Richard, Y.** [US/US]; 11711 Rivergroove Ct., Tomball, TX 77377 (US). **ADAM, Mark, K.** [US/US]; 1036 Al Gregg, Houston, TX 77009 (US).
- (74) Agent: **PORTER, Andre, J.**; Baker Hughes Incorporated, P.O. Box 4740, Houston, TX 77210-4740 (US).

(81) Designated States (unless otherwise indicated, for every kind of national protection available): AE, AG, AL, AM, AO, AT, AU, AZ, BA, BB, BG, BH, BR, BW, BY, BZ, CA, CH, CL, CN, CO, CR, CU, CZ, DE, DK, DM, DO, DZ, EC, EE, EG, ES, FI, GB, GD, GE, GH, GM, GT, HN, HR, HU, ID, IL, IN, IS, JP, KE, KG, KM, KN, KP, KR, KZ, LA, LC, LK, LR, LS, LT, LU, LY, MA, MD, ME, MG, MK, MN, MW, MX, MY, MZ, NA, NG, NI, NO, NZ, OM, PE, PG, PH, PL, PT, QA, RO, RS, RU, RW, SC, SD, SE, SG, SK, SL, SM, ST, SV, SY, TH, TJ, TM, TN, TR, TT, TZ, UA, UG, US, UZ, VC, VN, ZA, ZM, ZW.

(84) Designated States (unless otherwise indicated, for every kind of regional protection available): ARIPO (BW, GH, GM, KE, LR, LS, MW, MZ, NA, RW, SD, SL, SZ, TZ, UG, ZM, ZW), Eurasian (AM, AZ, BY, KG, KZ, MD, RU, TJ, TM), European (AL, AT, BE, BG, CH, CY, CZ, DE, DK, EE, ES, FI, FR, GB, GR, HR, HU, IE, IS, IT, LT, LU, LV, MC, MK, MT, NL, NO, PL, PT, RO, RS, SE, SI, SK, SM, TR), OAPI (BF, BJ, CF, CG, CI, CM, GA, GN, GQ, GW, ML, MR, NE, SN, TD, TG).

Declarations under Rule 4.17:

— as to applicant's entitlement to apply for and be granted a patent (Rule 4.17(ii))

[Continued on next page]

(54) Title: EXPANDABLE ISOLATION PACKER

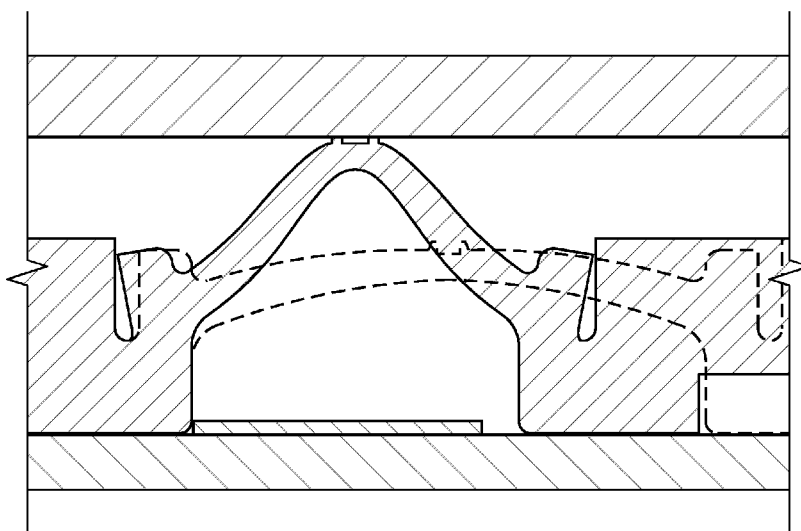


FIG. 4

(57) Abstract: An expandable packer features a sealing element in an exterior recess that is straddled by projections or bumps. Upon expansion the bumps move out against the borehole wall as an anchor support. Optionally, the bumps may be covered with a sealing material and may be constructed to assist in their radial movement to the borehole wall as a result of expansion particularly if the mandrel is expanded in compression. The bumps are not necessarily expanded with the swage and their radial growth can be induced from longitudinal shrinkage resulting from radial expansion.

WO 2012/122089 A3



— *as to the applicant's entitlement to claim the priority of the earlier application (Rule 4.17(iii))*

(88) Date of publication of the international search report:
13 December 2012

Published:

— *with international search report (Art. 21(3))*

A. CLASSIFICATION OF SUBJECT MATTER***E21B 33/128(2006.01)i, E21B 33/127(2006.01)i***

According to International Patent Classification (IPC) or to both national classification and IPC

B. FIELDS SEARCHED

Minimum documentation searched (classification system followed by classification symbols)

E21B 33/128; E21B 23/02; E21B 23/06; E21B 33/12; E21B 33/122; E21B 19/16; E21B 43/10; E21B 29/12

Documentation searched other than minimum documentation to the extent that such documents are included in the fields searched

Korean utility models and applications for utility models

Japanese utility models and applications for utility models

Electronic data base consulted during the international search (name of data base and, where practicable, search terms used)

eKOMPASS(KIPO internal) & Keywords: packer,expand,swell,diameter,damage

C. DOCUMENTS CONSIDERED TO BE RELEVANT

Category*	Citation of document, with indication, where appropriate, of the relevant passages	Relevant to claim No.
X Y A	US 2005-0269108 A1 (KEN WHANGER et al.) 08 December 2005 See abstract, paragraphs [0024,0025,0035,0044], and figs.1,4,5,5A,	1-3,5-7,8,9,14,17 ,19,22 4,11,15,16,20,21 10,12,13,18,23,24
Y A	US 2009-0205843 A1 (GANDIKOTA VARADARAJU et al.) 20 August 2009 See abstract, paragraphs [0029,0030,0032,0033], and figs.1,2.	11,15,16,20,21 1-10,12-14,17-19 ,22-24
Y A	US 7387168 B2 (ELLINGTON PETER et al.) 17 June 2008 See abstract, column 6, line 60 - column 7, line 5, and fig.1.	4 1-3,5-24
A	US 6854521 B2 (RALPH H. ECHOLS et al.) 15 February 2005 See column 5, line 60 - column 6, line 42, figs.2-5.	1-24

 Further documents are listed in the continuation of Box C. See patent family annex.

* Special categories of cited documents:

"A" document defining the general state of the art which is not considered to be of particular relevance

"E" earlier application or patent but published on or after the international filing date

"L" document which may throw doubts on priority claim(s) or which is cited to establish the publication date of citation or other special reason (as specified)

"O" document referring to an oral disclosure, use, exhibition or other means

"P" document published prior to the international filing date but later than the priority date claimed

"T" later document published after the international filing date or priority date and not in conflict with the application but cited to understand the principle or theory underlying the invention

"X" document of particular relevance; the claimed invention cannot be considered novel or cannot be considered to involve an inventive step when the document is taken alone

"Y" document of particular relevance; the claimed invention cannot be considered to involve an inventive step when the document is combined with one or more other such documents, such combination being obvious to a person skilled in the art

"&" document member of the same patent family

Date of the actual completion of the international search

21 SEPTEMBER 2012 (21.09.2012)

Date of mailing of the international search report

25 SEPTEMBER 2012 (25.09.2012)

Name and mailing address of the ISA/KR

Korean Intellectual Property Office
189 Cheongsu-ro, Seo-gu, Daejeon Metropolitan
City, 302-701, Republic of Korea

Facsimile No. 82-42-472-7140

Authorized officer

CHOI, Il Seung

Telephone No. 82-42-481-3467



INTERNATIONAL SEARCH REPORT

Information on patent family members

International application No.

PCT/US2012/027700

Patent document cited in search report	Publication date	Patent family member(s)	Publication date
US 2005-0269108 A1	08.12.2005	CA 2453729 A1	23.06.2004
		CA 2453729 C	05.09.2006
		GB 0329659 D0	28.01.2004
		GB 2396635 A	30.06.2004
		GB 2396635 B	01.03.2006
		US 2004-0118572 A1	24.06.2004
		US 6907937 B2	21.06.2005
		US 7070001 B2	04.07.2006
US 2009-0205843 A1	20.08.2009	AU 2009-215521 A1	27.08.2009
		CA 2715647 A1	27.08.2009
		EP 2255063 A1	01.12.2010
		US 8201636 B2	19.06.2012
		WO 2009-105575 A1	27.08.2009
US 7387168 B2	17.06.2008	CA 2475634 A1	26.01.2005
		CA 2475634 C	15.12.2009
		GB 0317547 D0	27.08.2003
		GB 0416544 D0	25.08.2004
		GB 2407593 A	04.05.2005
		GB 2407593 B	23.04.2008
		US 2005-0127671 A1	16.06.2005
		US 2007-0056744 A1	15.03.2007
US 6854521 B2	15.02.2005	US 2003-178204 A1	25.09.2003