

(19) World Intellectual Property Organization  
International Bureau



(43) International Publication Date  
9 September 2005 (09.09.2005)

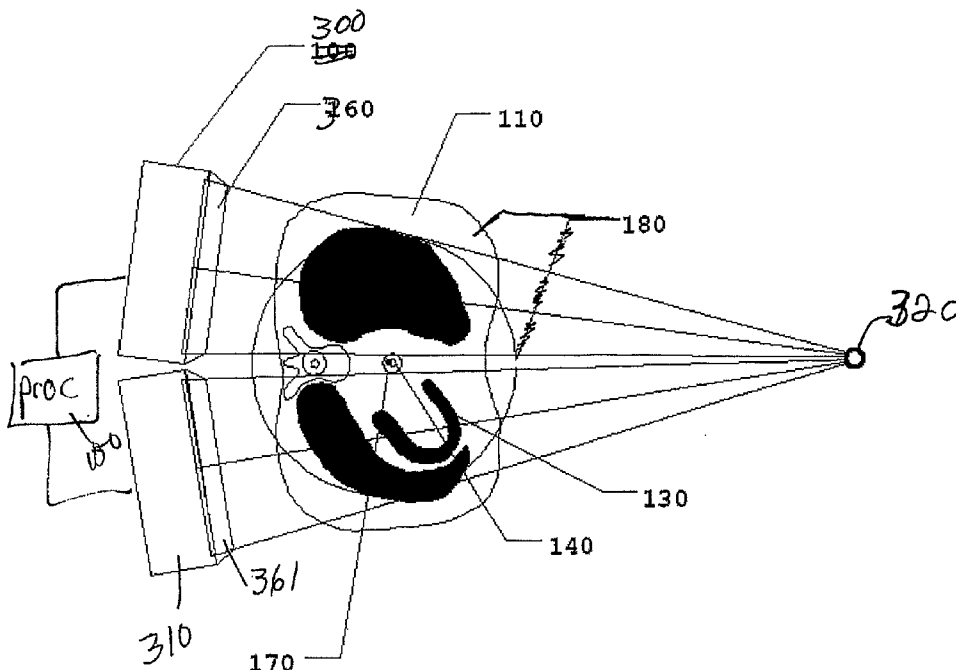
PCT

(10) International Publication Number  
**WO 2005/082009 A3**

- (51) International Patent Classification:  
**G01T 1/166** (2006.01)
- (21) International Application Number:  
PCT/US2005/005893
- (22) International Filing Date:  
25 February 2005 (25.02.2005)
- (25) Filing Language: English
- (26) Publication Language: English
- (30) Priority Data:  
60/548,071 25 February 2004 (25.02.2004) US  
60/613,782 27 September 2004 (27.09.2004) US
- (63) Related by continuation (CON) or continuation-in-part (CIP) to earlier applications:  
US 60/548,071 (CIP)  
Filed on 25 February 2004 (25.02.2004)  
US 60/613,782 (CIP)  
Filed on 27 September 2004 (27.09.2004)
- (71) Applicant (for all designated States except US): **DIGIRAD CORPORATION** [US/US]; 13950 Stowe Drive, Poway, CA 92064 (US).
- (72) Inventor; and
- (75) Inventor/Applicant (for US only): **CONWELL, Richard, L.** [US/US]; 13684 Boquita, Del Mar, CA 92014 (US).
- (74) Agent: **HARRIS, Scott, C.**; Fish & Richardson P.C., 12390 El Camino Real, San Diego, CA 92130 (US).
- (81) Designated States (unless otherwise indicated, for every kind of national protection available): AE, AG, AL, AM, AT, AU, AZ, BA, BB, BG, BR, BW, BY, BZ, CA, CH, CN, CO, CR, CU, CZ, DE, DK, DM, DZ, EC, EE, EG, ES, FI, GB, GD, GE, GH, GM, HR, HU, ID, IL, IN, IS, JP, KE, KG, KP, KR, KZ, LC, LK, LR, LS, LT, LU, LV, MA, MD, MG, MK, MN, MW, MX, MZ, NA, NI, NO, NZ, OM, PG, PH, PL, PT, RO, RU, SC, SD, SE, SG, SK, SL, SM, SY, TJ, TM, TN, TR, TT, TZ, UA, UG, US (patent), UZ, VC, VN, YU, ZA, ZM, ZW.
- (84) Designated States (unless otherwise indicated, for every kind of regional protection available): ARIPO (BW, GH, GM, KE, LS, MW, MZ, NA, SD, SL, SZ, TZ, UG, ZM, ZW), Eurasian (AM, AZ, BY, KG, KZ, MD, RU, TJ, TM), European (AT, BE, BG, CH, CY, CZ, DE, DK, EE, ES, FI, FR, GB, GR, HU, IE, IS, IT, LT, LU, MC, NL, PL, PT, RO,

[Continued on next page]

(54) Title: SMALL FIELD-OF-VIEW DETECTOR HEAD ("SPECT") ATTENUATION CORRECTION SYSTEM



(57) Abstract: A detector head (300 or 310) having a small field of view, for example one which receives information from less than half a body (110) imaged, is used to form a transmission attenuation map using transmission source (320) The same detector head (300 or 310) both receives information for the transmission attenuation map and also receives imaging information e g from a radioisotope

WO 2005/082009 A3



SE, SI, SK, TR), OAPI (BF, BJ, CF, CG, CI, CM, GA, GN,  
GQ, GW, ML, MR, NE, SN, TD, TG).

(88) **Date of publication of the international search report:**  
6 December 2007

**Published:**

— *with international search report*

*For two-letter codes and other abbreviations, refer to the "Guidance Notes on Codes and Abbreviations" appearing at the beginning of each regular issue of the PCT Gazette.*

# INTERNATIONAL SEARCH REPORT

International application No.

PCT/US05/05893

**A. CLASSIFICATION OF SUBJECT MATTER**

IPC: **G01T 1/166**(2006.01)

USPC: 250/363.04,363.07

According to International Patent Classification (IPC) or to both national classification and IPC

**B. FIELDS SEARCHED**

Minimum documentation searched (classification system followed by classification symbols)  
U.S. : 250/363.04, 363.07

Documentation searched other than minimum documentation to the extent that such documents are included in the fields searched

Electronic data base consulted during the international search (name of data base and, where practicable, search terms used)

**C. DOCUMENTS CONSIDERED TO BE RELEVANT**

Category *	Citation of document, with indication, where appropriate, of the relevant passages	Relevant to claim No.
Y	US 4,580,219 A (PELC et al) 01 April 1986 (01.04.1986), column 1, lines 52-60.	11
Y	US 5,900,636 A (NELLEMANN et al. ) 04 May 1999 (04.05.1999), column 1, line 14 to column 2, line 37.	1-23
Y	US 6,201,247 B1 (LUTHERAN et al) 13 March 2001 (13.03.2001), abstract; and column 7, line 52 to column 8, line 9.	4 and 12
Y	WO 2003/081220 A2 (GREGERSON et al) 02 October 2003 (02.10.2003), Figs. 1A, 1B, 1C, 2A, 2B, and 2C; pg. 4, lines 20-28; pg. 5, lines 4-6; pg. 7, lines 8-11; and pg. 15, lines 9-19.	1-23

Further documents are listed in the continuation of Box C.  See patent family annex.

* Special categories of cited documents:		
"A"	document defining the general state of the art which is not considered to be of particular relevance	"T" later document published after the international filing date or priority date and not in conflict with the application but cited to understand the principle or theory underlying the invention
"E"	earlier application or patent published on or after the international filing date	"X" document of particular relevance; the claimed invention cannot be considered novel or cannot be considered to involve an inventive step when the document is taken alone
"L"	document which may throw doubts on priority claim(s) or which is cited to establish the publication date of another citation or other special reason (as specified)	"Y" document of particular relevance; the claimed invention cannot be considered to involve an inventive step when the document is combined with one or more other such documents, such combination being obvious to a person skilled in the art
"O"	document referring to an oral disclosure, use, exhibition or other means	
"P"	document published prior to the international filing date but later than the priority date claimed	"&" document member of the same patent family

Date of the actual completion of the international search  
16 August 2007 (16.08.2007)

Date of mailing of the international search report  
**12 SEP 2007**

Name and mailing address of the ISA/US  
Mail Stop PCT, Attn: ISA/US  
Commissioner for Patents  
P.O. Box 1450  
Alexandria, Virginia 22313-1450  
Facsimile No. (571) 273-3201

Authorized officer *Rhonda for Bell*  
David Porta  
Telephone No. (571) 272-2439