



US00D656754S

(12) **United States Design Patent**
Starck

(10) **Patent No.:** **US D656,754 S**

(45) **Date of Patent:** **** Apr. 3, 2012**

(54) **CHAIR**

(75) Inventor: **Philippe Starck**, Paris (FR)

(73) Assignee: **MAGIS S.p.A.**, Motta di Livenza (TV)
(IT)

(**) Term: **14 Years**

(21) Appl. No.: **29/400,983**

(22) Filed: **Sep. 5, 2011**

(30) **Foreign Application Priority Data**

Apr. 4, 2011 (EM) 001845504-0004

(51) **LOC (9) Cl.** **06-01**

(52) **U.S. Cl.** **D6/375**

(58) **Field of Classification Search** D6/334-336,
D6/369, 371-373, 374, 375, 376, 379, 380,
D6/500-502; 297/440.22, 445.1, 446.1,
297/452.12, 452.14, 452.19, 452.21, 452.29

See application file for complete search history.

(56) **References Cited**

U.S. PATENT DOCUMENTS

D192,029	S	*	1/1962	Avedon et al.	D6/375
3,146,028	A	*	8/1964	Grosfillex	297/440.22
D573,363	S	*	7/2008	Pillet	D6/376
D596,865	S	*	7/2009	Bergmann et al.	D6/369
D600,035	S	*	9/2009	Olano Jauregui	D6/375
D646,076	S	*	10/2011	Levy	D6/375
D648,562	S	*	11/2011	Lievore et al.	D6/375

* cited by examiner

Primary Examiner — Mimosa De

(74) *Attorney, Agent, or Firm* — Themis Law

(57) **CLAIM**

The ornamental design for a chair, as shown.

DESCRIPTION

FIG. 1 is a perspective view of a chair showing my new design;

FIG. 2 is a front elevational view thereof;

FIG. 3 is a rear elevational view thereof;

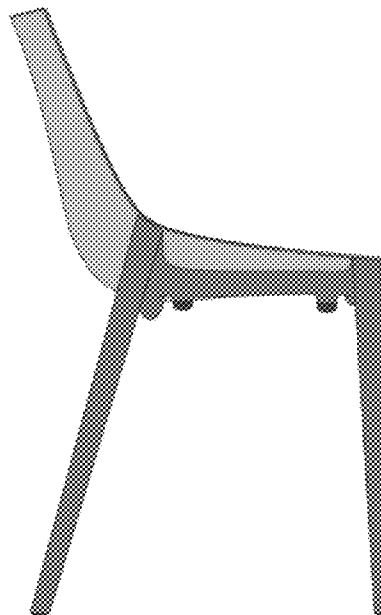
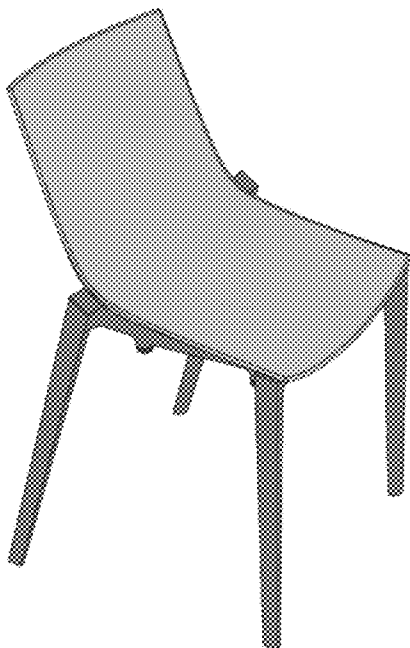
FIG. 4 is a right side elevational view thereof;

FIG. 5 is a left side elevational view thereof;

FIG. 6 is a top plan view thereof; and,

FIG. 7 is a bottom plan view thereof.

1 Claim, 7 Drawing Sheets



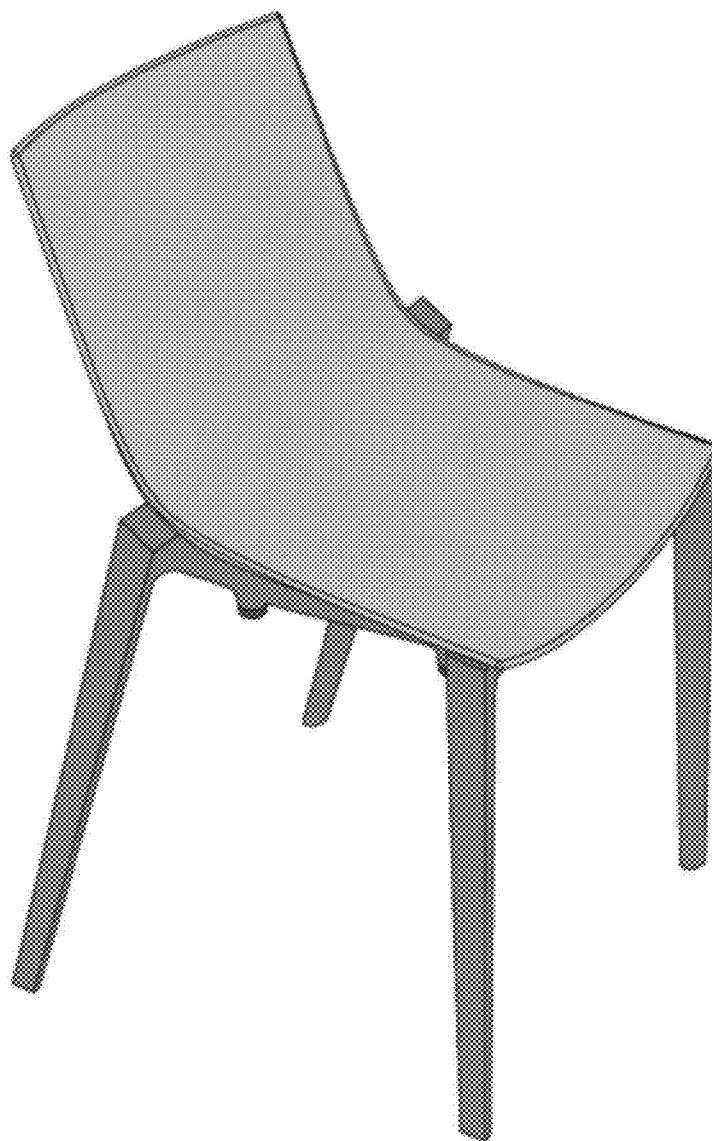


FIG. 1

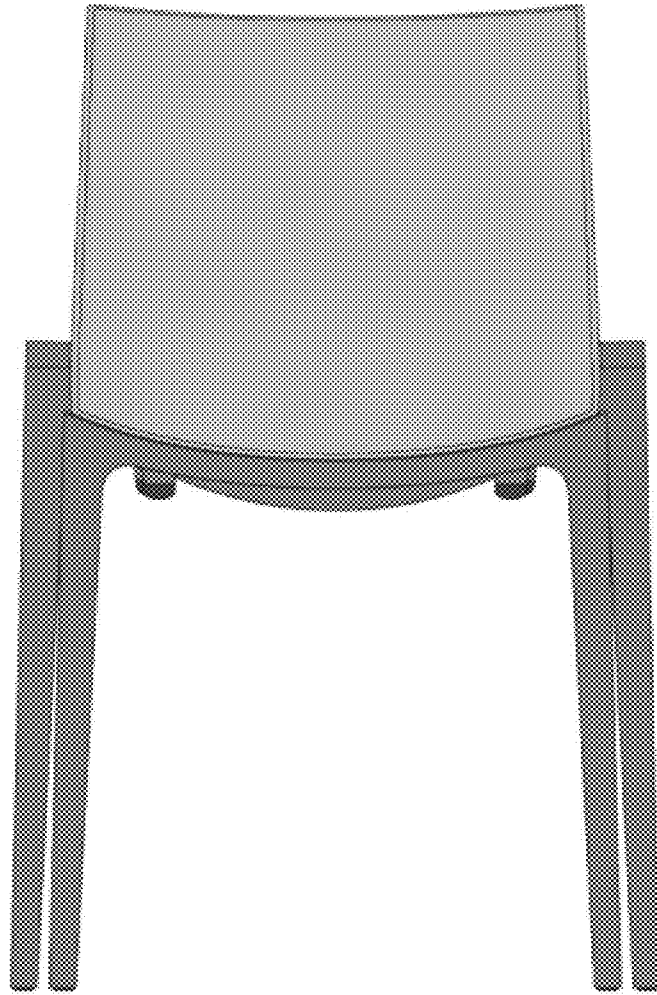


FIG. 2

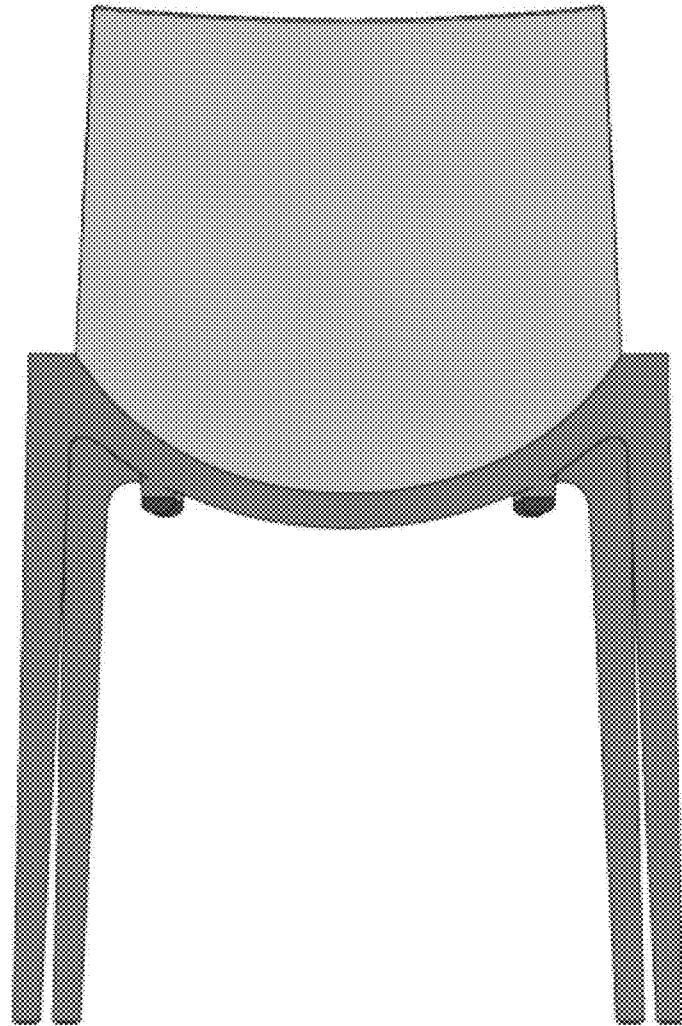


FIG. 3

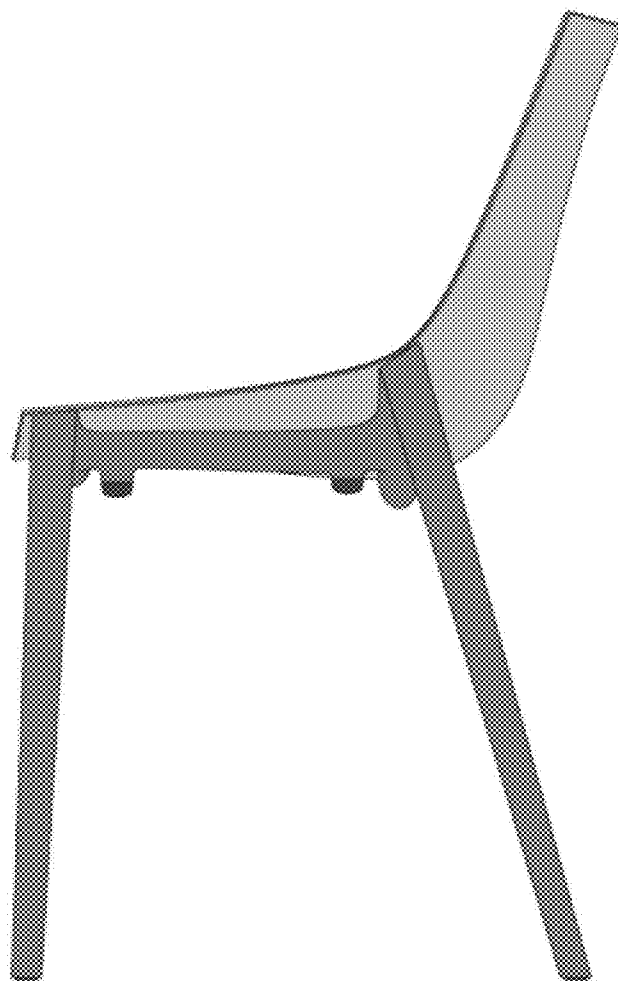


FIG. 4

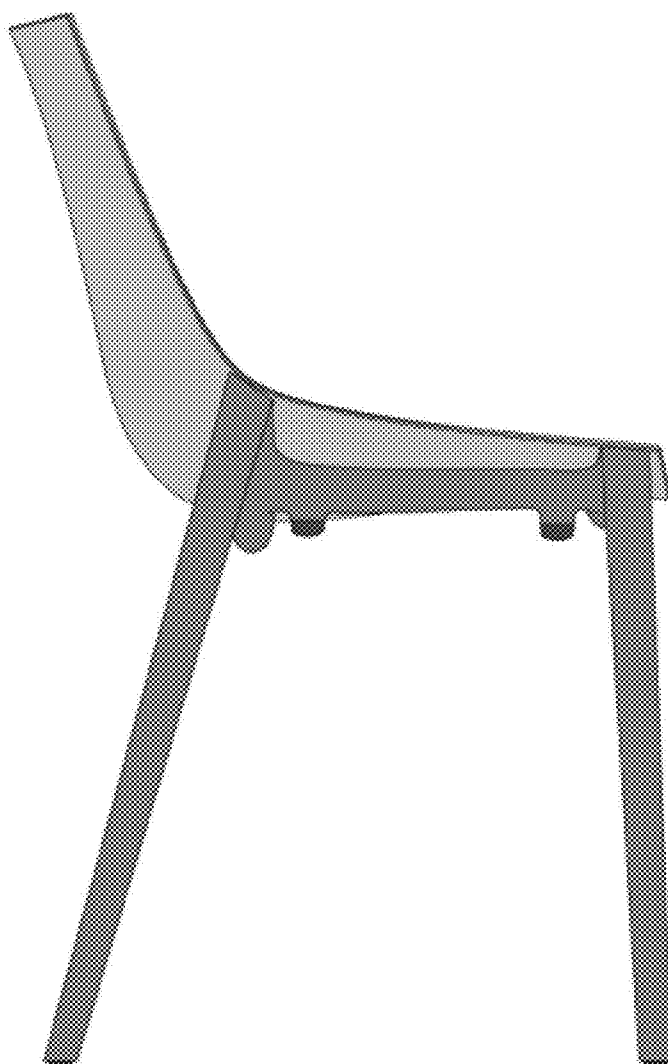


FIG. 5

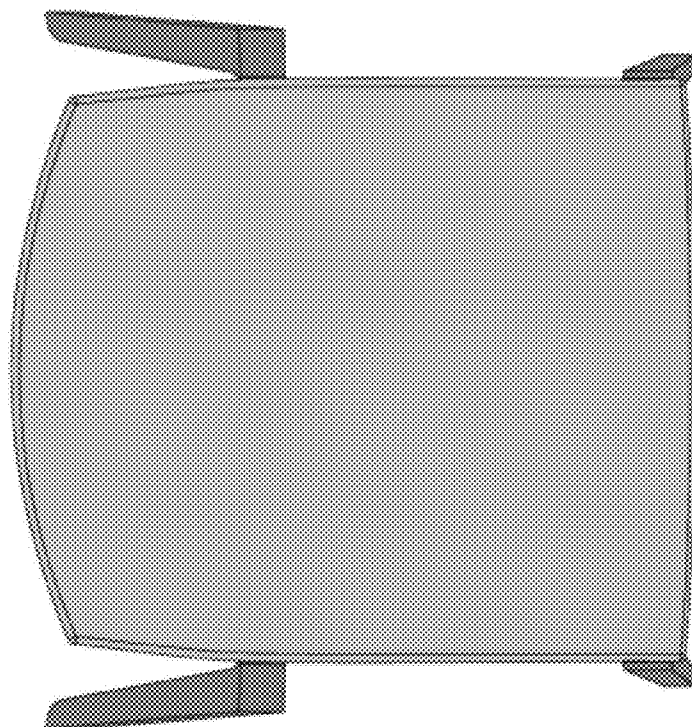


FIG. 6

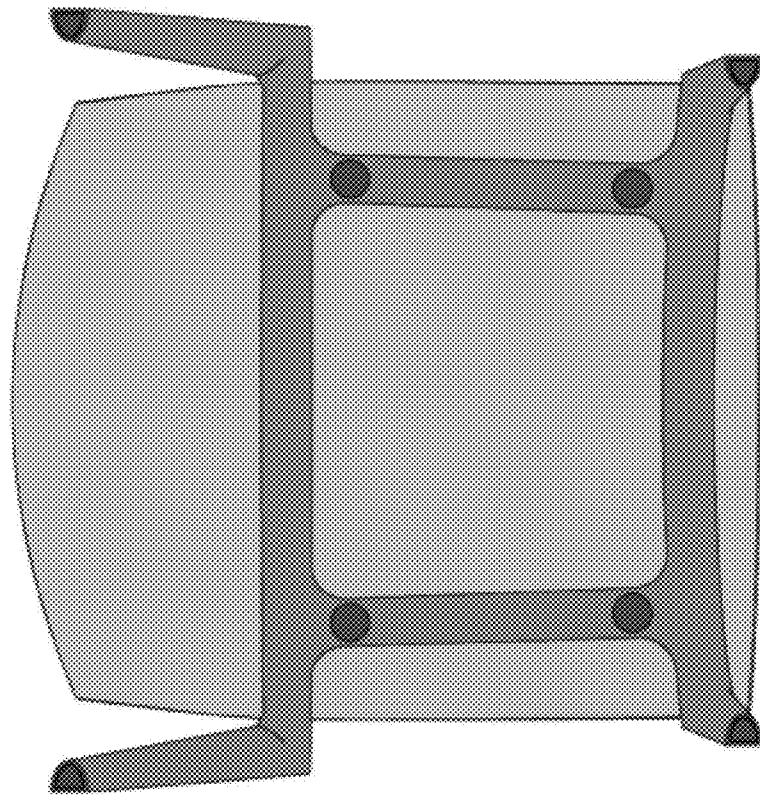


FIG. 7