



US00D514575S

(12) **United States Design Patent**  
**Sugitani et al.**

(10) **Patent No.:** **US D514,575 S**  
(45) **Date of Patent:** **\*\* Feb. 7, 2006**

(54) **IMAGE READER FOR A COMPUTER**

(75) Inventors: **Minoru Sugitani, Kahoku-gun (JP); Takeshi Chujou, Kahoku-gun (JP); Shinichi Ohta, Komatsu (JP); Shuji Hashimoto, Komatsu (JP)**

(73) Assignee: **PFU Limited, Ishikawa (JP)**

(\*\*) Term: **14 Years**

(21) Appl. No.: **29/189,758**

(22) Filed: **Sep. 11, 2003**

(30) **Foreign Application Priority Data**

Aug. 7, 2003 (JP) ..... 2003-022949

(51) **LOC (8) Cl.** ..... **14-02**

(52) **U.S. Cl.** ..... **D14/422**

(58) **Field of Classification Search** ..... D14/421-425;  
D18/36-39, 55; 355/81, 75; 399/405, 367,  
399/379, 380; 358/497; 235/470, 462.43,  
235/482, 483

See application file for complete search history.

(56) **References Cited**

**U.S. PATENT DOCUMENTS**

D197,540 S	*	2/1964	Knowles	.....	D18/36
D218,991 S	*	10/1970	Allport	.....	D18/14
3,600,557 A	*	8/1971	Zappia	.....	235/470
D234,627 S	*	3/1975	Vigna	.....	D16/246
4,439,036 A	*	3/1984	Davis et al.	.....	355/75
D277,006 S	*	1/1985	Takahashi et al.	.....	D14/422
D304,181 S	*	10/1989	Kagayama et al.	.....	D14/424
D311,909 S	*	11/1990	Chen	.....	D14/420
D315,898 S	*	4/1991	Hokura et al.	.....	D14/422
D341,617 S	*	11/1993	Patterson	.....	D16/246
5,301,244 A	*	4/1994	Parulski	.....	382/319
D350,769 S	*	9/1994	Hattori et al.	.....	D18/49
D363,924 S	*	11/1995	Ueda et al.	.....	D14/422

D366,652 S	*	1/1996	Ichinose	.....	D14/422
D368,256 S	*	3/1996	Stropkay et al.	.....	D14/420
D371,120 S	*	6/1996	Kono et al.	.....	D14/425
5,564,686 A	*	10/1996	Hornig	.....	271/4.01
D380,204 S	*	6/1997	Kogoh et al.	.....	D14/425
D383,449 S	*	9/1997	Iimura	.....	D14/422
D411,186 S	*	6/1999	Izaki	.....	D14/421
D412,520 S	*	8/1999	Krastel et al.	.....	D16/246
D415,127 S	*	10/1999	Ueda	.....	D14/425
D433,439 S	*	11/2000	Yoshida et al.	.....	D18/36

\* cited by examiner

*Primary Examiner*—Stella Reid

*Assistant Examiner*—Susan Moon Lee

(74) *Attorney, Agent, or Firm*—Staas & Halsey LLP

(57) **CLAIM**

We claim the ornamental design for an image reader for a computer, as shown and described.

**DESCRIPTION**

FIG. 1 is a perspective view of an image reader for a computer showing our new design;

FIG. 2 is another perspective view of FIG. 1 with a draft cover opened for convenience of illustration;

FIG. 3 is another perspective view of FIG. 1 with the automatic document feeder moved to the left side for convenience of illustration.

FIG. 4 is another perspective view of FIG. 1 with the ADF rotated by 180 degrees for convenience of illustration;

FIG. 5 is another perspective view of FIG. 1 with a hopper and a stacker opened for convenience of illustration;

FIG. 6 is a front elevational view of FIG. 1;

FIG. 7 is a rear elevational view of FIG. 1;

FIG. 8 is a right side elevational view of FIG. 1;

FIG. 9 is a left side elevational view of FIG. 1;

FIG. 10 is a top plan view of FIG. 1; and,

FIG. 11 is a bottom plan view of FIG. 1.

**1 Claim, 11 Drawing Sheets**

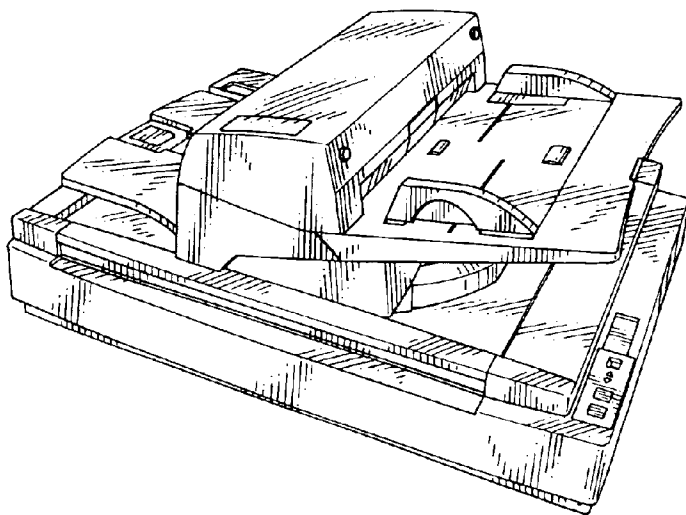


Fig.1

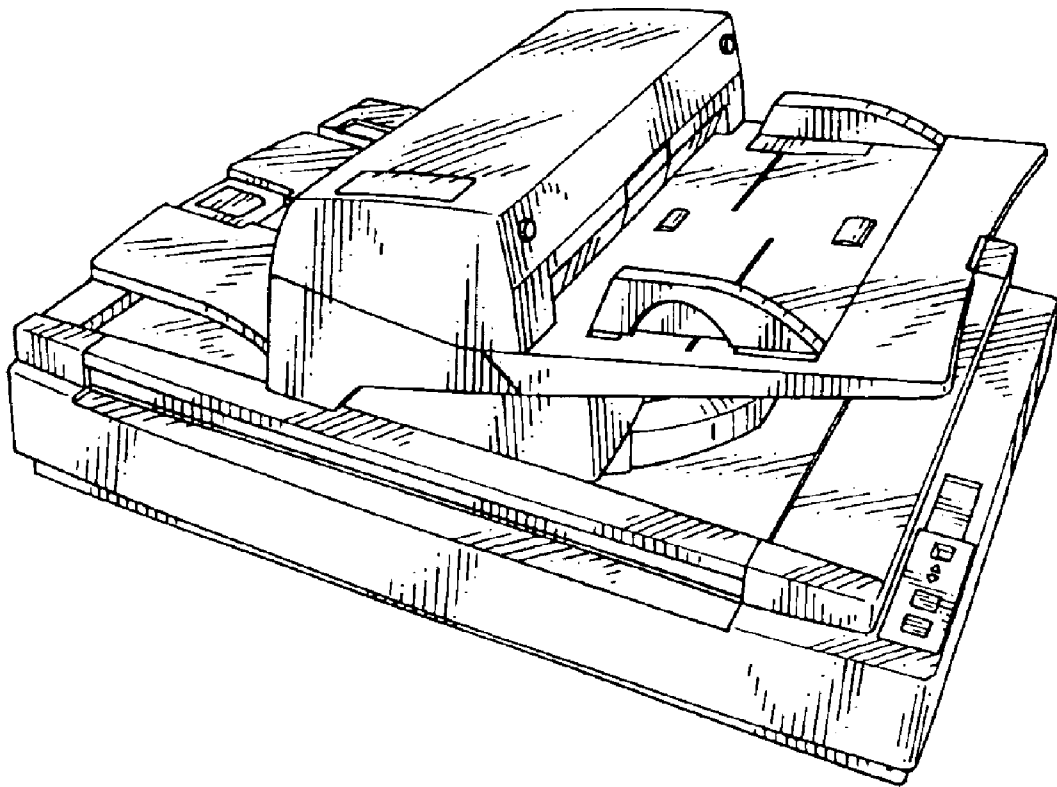


Fig.2

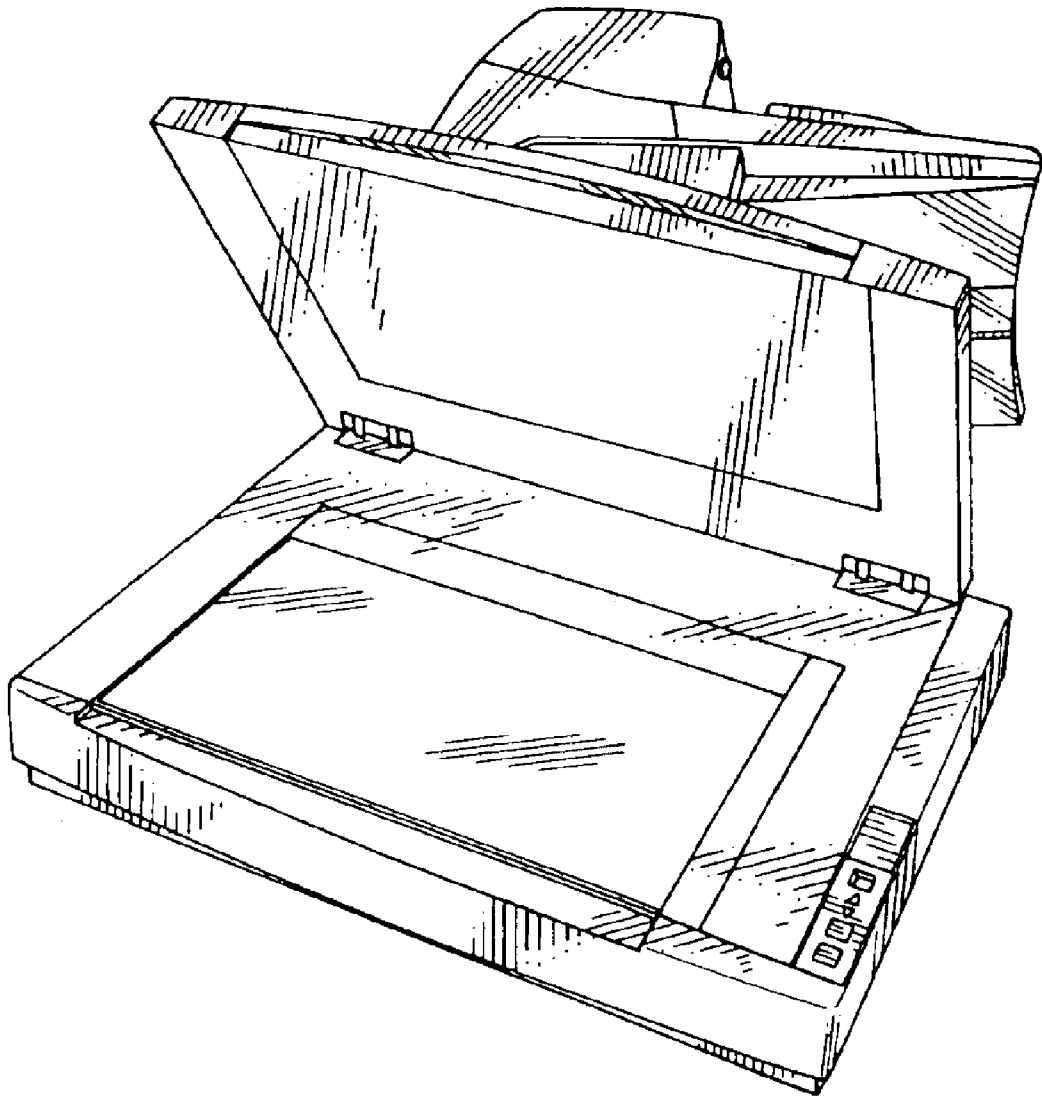


Fig.3

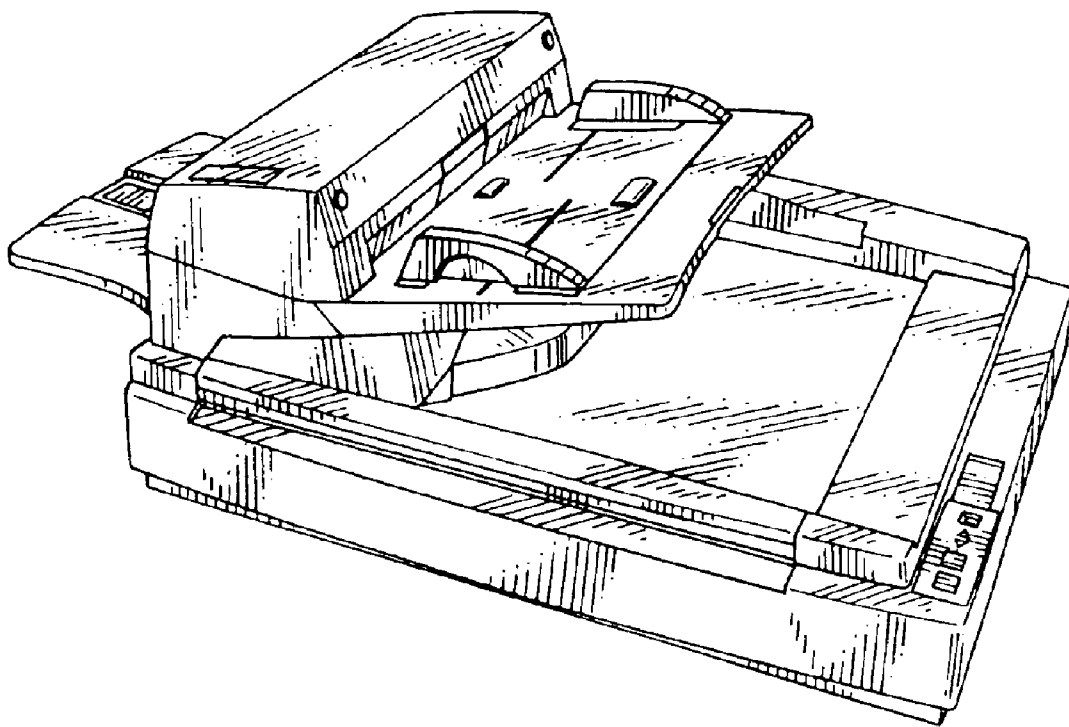


Fig.4

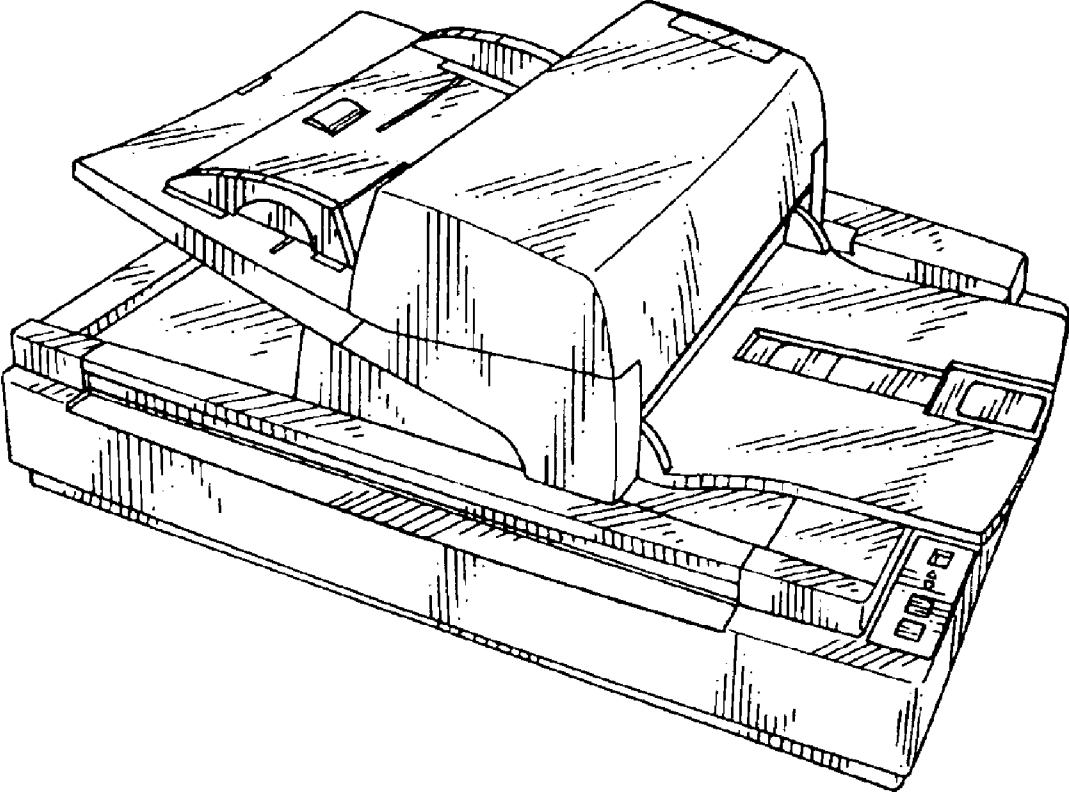


Fig.5

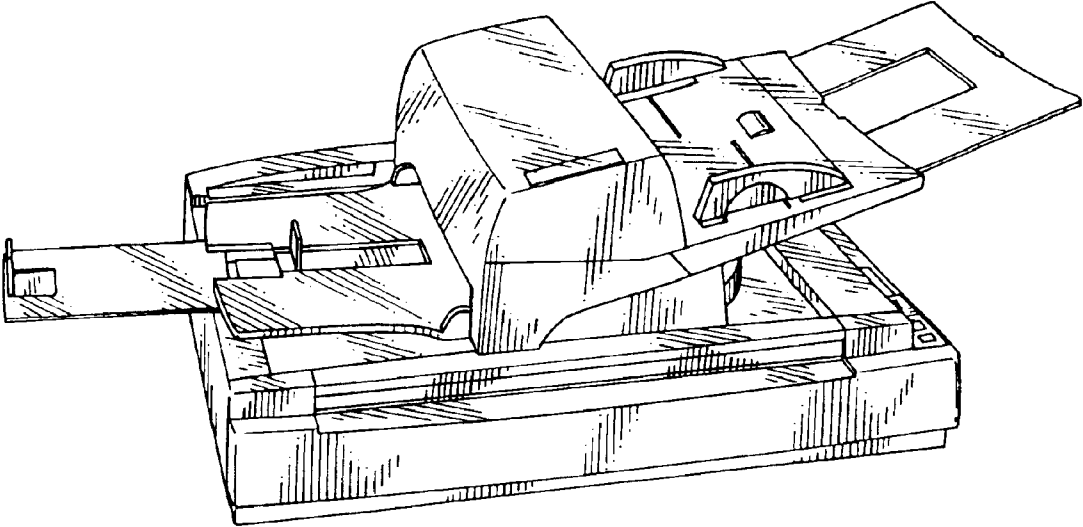


Fig.6

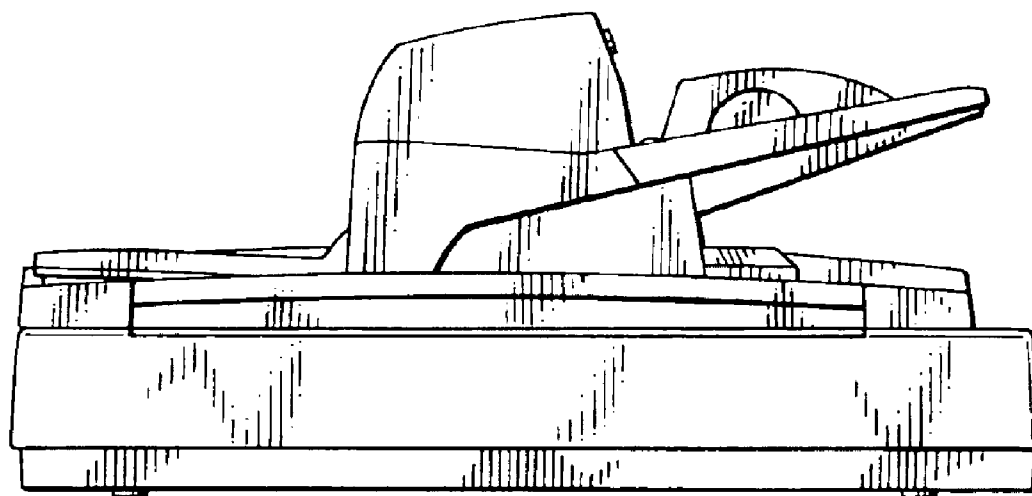


Fig.7

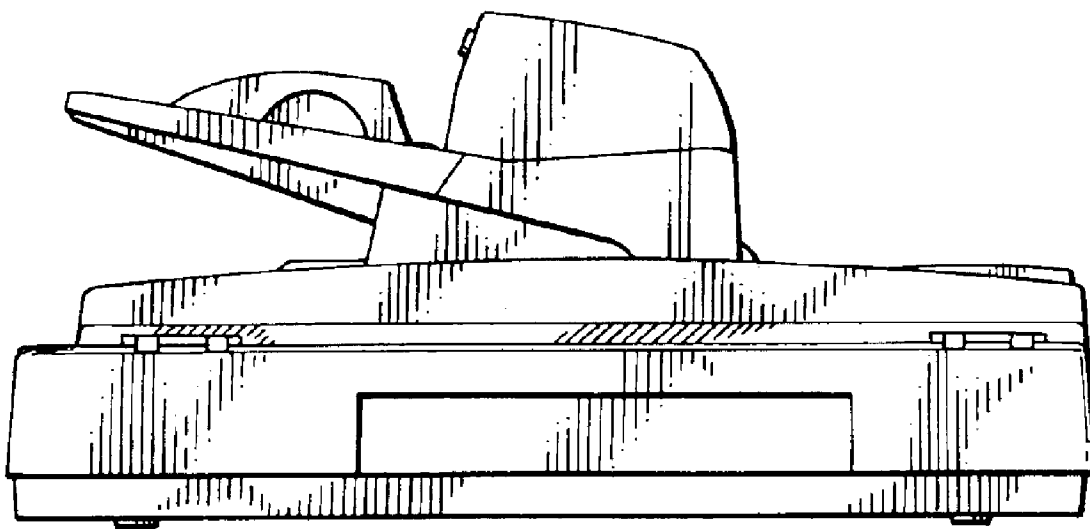


Fig.8

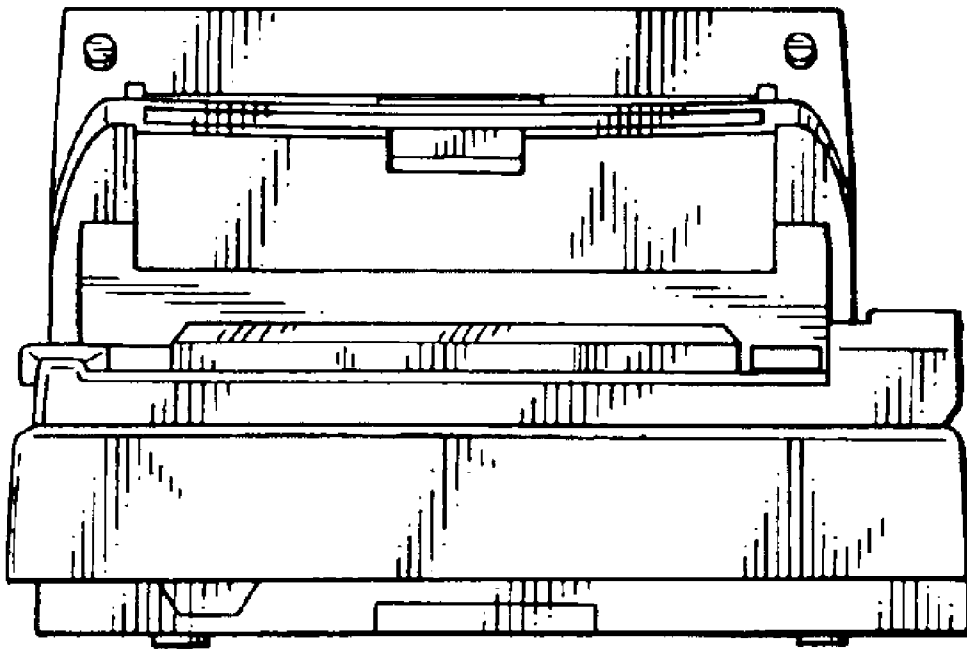


Fig.9

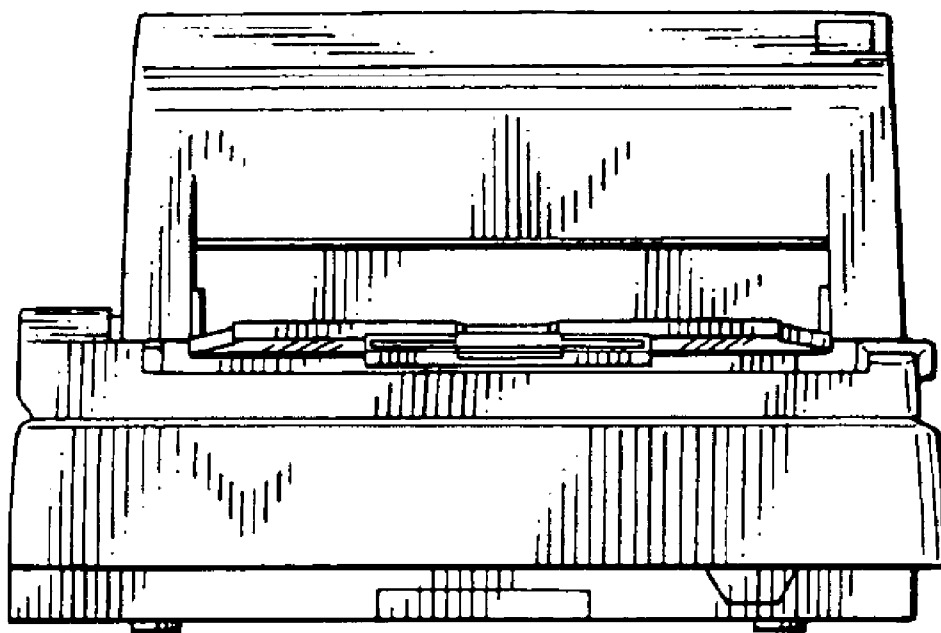


Fig.10

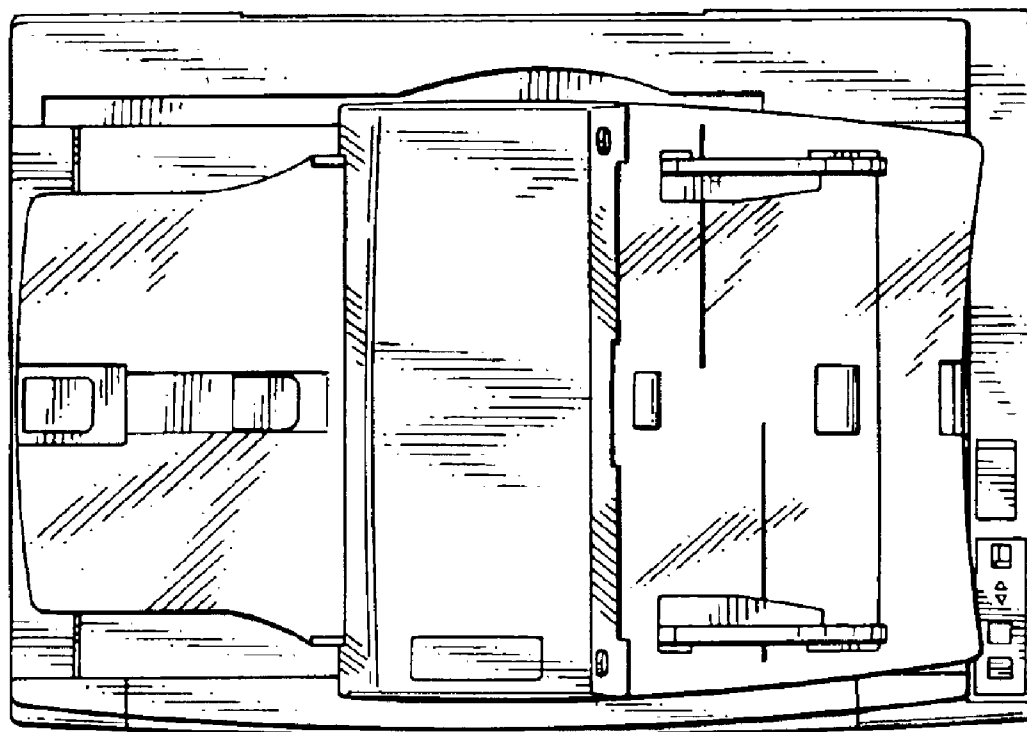


Fig.11

