

(19) World Intellectual Property Organization
International Bureau



(43) International Publication Date
1 December 2005 (01.12.2005)

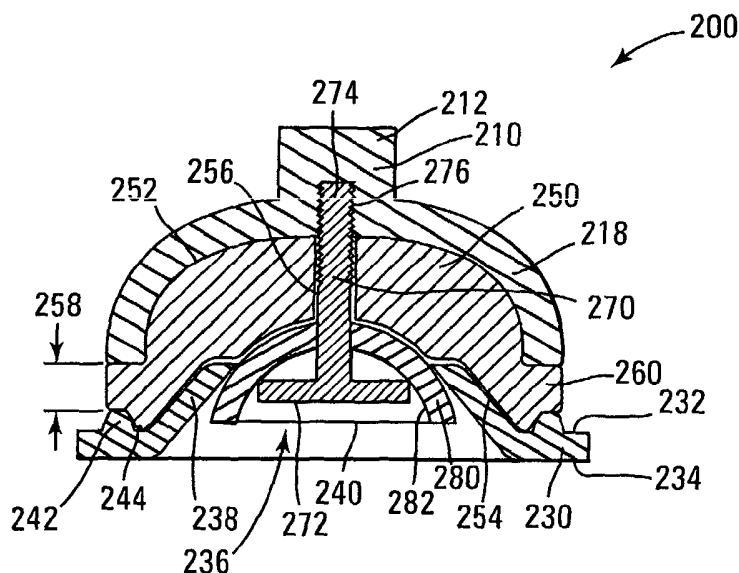
PCT

(10) International Publication Number
WO 2005/112838 A3

- (51) International Patent Classification:
A61F 2/60 (2006.01) B05D 1/04 (2006.01)
A61F 2/66 (2006.01)
 - (21) International Application Number:
PCT/US2005/017643
 - (22) International Filing Date: 19 May 2005 (19.05.2005)
 - (25) Filing Language: English
 - (26) Publication Language: English
 - (30) Priority Data:
60/572,322 19 May 2004 (19.05.2004) US
 - (71) Applicant (for all designated States except US): OTTO BOCK HEALTHCARE LP [—/US]; 2 Carlson Parkway, Minneapolis, Minnesota 55447 (US).
 - (72) Inventors; and
 - (75) Inventors/Applicants (for US only): GEILMAN, Bret J. [US/US]; 3155 North 700 East, North Ogden, Utah 84414 (US). RUBIE, Eric, W. [US/US]; 3680 East Kaibab Circle, Salt Lake City, Utah 84109 (US).
 - (74) Agents: CAMERON, Lynn, C. et al.; 90 So. 7th Street, 2200 Wells Fargo Center, Minneapolis, Minnesota 55402 (US).
 - (81) Designated States (unless otherwise indicated, for every kind of national protection available): AE, AG, AL, AM, AT, AU, AZ, BA, BB, BG, BR, BW, BY, BZ, CA, CH, CN, CO, CR, CU, CZ, DE, DK, DM, DZ, EC, EE, EG, ES, FI, GB, GD, GE, GH, GM, HR, HU, ID, IL, IN, IS, JP, KE, KG, KM, KP, KR, KZ, LC, LK, LR, LS, LT, LU, LV, MA, MD, MG, MK, MN, MW, MX, MZ, NA, NG, NI, NO, NZ, OM, PG, PH, PL, PT, RO, RU, SC, SD, SE, SG, SK, SL, SM, SY, TJ, TM, TN, TR, TT, TZ, UA, UG, US, UZ, VC, VN, YU, ZA, ZM, ZW.
 - (84) Designated States (unless otherwise indicated, for every kind of regional protection available): ARIPO (BW, GH, GM, KE, LS, MW, MZ, NA, SD, SL, SZ, TZ, UG, ZM, ZW), Eurasian (AM, AZ, BY, KG, KZ, MD, RU, TJ, TM), European (AT, BE, BG, CH, CY, CZ, DE, DK, EE, ES, FI, FR, GB, GR, HU, IE, IS, IT, LT, LU, MC, NL, PL, PT, RO, SE, SI, SK, TR), OAPI (BF, BJ, CF, CG, CI, CM, GA, GN, GQ, GW, ML, MR, NE, SN, TD, TG).
- Published:
— with international search report
- (88) Date of publication of the international search report:
1 June 2006

[Continued on next page]

(54) Title: MULTI-AXIAL FITTING WITH SHOCK ABSORPTION FOR PROSTHETIC FOOT



(57) Abstract: A fitting (200) for a prosthetic foot permits multi-axial movement of the prosthetic foot with respect to a lower limb prosthesis and provides shock absorption. The multi-axial fitting (200) has a mount (210), a base (230), and a shock absorbing resilient member (250) disposed between the mount (210) and the base (230). The resilient member (250) is torqueable and compressible under force, providing shock absorption, rotation, medial lateral movement and dorsiflexion of the prosthetic foot with respect to the lower limb prosthesis.

WO 2005/112838 A3



For two-letter codes and other abbreviations, refer to the "Guidance Notes on Codes and Abbreviations" appearing at the beginning of each regular issue of the PCT Gazette.

INTERNATIONAL SEARCH REPORT

Int. Patent Application No
PCT/US2005/017643

A. CLASSIFICATION OF SUBJECT MATTER A61F2/60 A61F2/66 B05D1/04		
According to International Patent Classification (IPC) or to both national classification and IPC		
B. FIELDS SEARCHED		
Minimum documentation searched (classification system followed by classification symbols) A61F B05D		
Documentation searched other than minimum documentation to the extent that such documents are included in the fields searched		
Electronic data base consulted during the international search (name of data base and, where practical, search terms used) EPO-Internal		
C. DOCUMENTS CONSIDERED TO BE RELEVANT		
Category*	Citation of document, with indication, where appropriate, of the relevant passages	Relevant to claim No.
X	US 5 019 109 A (VOISIN ET AL) 28 May 1991 (1991-05-28) column 2, line 63 - column 6, line 29 claims; figures	1, 4-8, 21, 23, 24
X	US 5 728 177 A (PHILLIPS VAN L) 17 March 1998 (1998-03-17) column 3, lines 21-50; claims; figures -& US 2002/040249 A1 (PHILLIPS VAN L) 4 April 2002 (2002-04-04) claims; figures 5,6	1-8, 10
X	DE 804 830 C (MAX EMPFENZEDER) 30 April 1951 (1951-04-30) page 2, lines 35-79 claims; figures	1, 4-7, 12, 14-19, 21, 23, 24
-/--		
<input checked="" type="checkbox"/> Further documents are listed in the continuation of box C.		
<input checked="" type="checkbox"/> Patent family members are listed in annex.		
* Special categories of cited documents :		
A document defining the general state of the art which is not considered to be of particular relevance *E* earlier document but published on or after the international filing date *L* document which may throw doubts on priority claim(s) or which is cited to establish the publication date of another citation or other special reason (as specified) *O* document referring to an oral disclosure, use, exhibition or other means *P* document published prior to the international filing date but later than the priority date claimed		
T later document published after the international filing date or priority date and not in conflict with the application but cited to understand the principle or theory underlying the invention *X* document of particular relevance; the claimed invention cannot be considered novel or cannot be considered to involve an inventive step when the document is taken alone *Y* document of particular relevance; the claimed invention cannot be considered to involve an inventive step when the document is combined with one or more other such documents, such combination being obvious to a person skilled in the art. *&* document member of the same patent family		
Date of the actual completion of the international search 15 November 2005		Date of mailing of the international search report 22/11/2005
Name and mailing address of the ISA European Patent Office, P.B. 5818 Patentlaan 2 NL - 2280 HV Rijswijk Tel. (+31-70) 340-2040, Tx. 31 651 epo nl, Fax: (+31-70) 340-3016		Authorized officer Kuehne, H-C

INTERNATIONAL SEARCH REPORT

International Application No
PC17US2005/017643

C.(Continuation) DOCUMENTS CONSIDERED TO BE RELEVANT		
Category *	Citation of document, with indication, where appropriate, of the relevant passages	Relevant to claim No.
X	DE 656 219 C (KARL SCHOENE) 31 January 1938 (1938-01-31) page 2, line 52 - page 4, line 61 claims; figures	1,4-7, 12, 14-19, 21,23,24
X	US 2003/004582 A1 (LEE CHI L ET AL) 2 January 2003 (2003-01-02) claims; figures	1-4
A	US 5 769 896 A (ROSENDAHL ET AL) 23 June 1998 (1998-06-23) claims; figures	1-24
A	FR 2 653 327 A (VOTROTTO REMY) 26 April 1991 (1991-04-26) claims; figures	1-24
A	DE 834 884 C (ANTON SCHIEVEKAMP) 24 March 1952 (1952-03-24) claims; figure	1-24

INTERNATIONAL SEARCH REPORT

Information on patent family members

International Application No

PCT/US2005/017643

Patent document cited in search report		Publication date	Patent family member(s)	Publication date
US 5019109	A	28-05-1991	CA 2034803 A1	10-09-1991
US 5728177	A	17-03-1998	AU 3366095 A	07-03-1996
			TW 386434 Y	01-04-2000
			WO 9604869 A1	22-02-1996
			US 5800569 A	01-09-1998
US 2002040249	A1	04-04-2002	NONE	
DE 804830	C	30-04-1951	NONE	
DE 656219	C	31-01-1938	NONE	
US 2003004582	A1	02-01-2003	DE 10226064 A1	06-02-2003
			GB 2378391 A	12-02-2003
			US 2005015157 A1	20-01-2005
US 5769896	A	23-06-1998	NONE	
FR 2653327	A	26-04-1991	WO 9217135 A1	15-10-1992
DE 834884	C	24-03-1952	NONE	