



US00D800129S

(12) **United States Design Patent**
Wadsworth et al.

(10) **Patent No.:** **US D800,129 S**
(45) **Date of Patent:** **** Oct. 17, 2017**

(54) **OVERLAY**
(71) Applicant: **Belkin International, Inc.**, Playa Vista, CA (US)
(72) Inventors: **John F. Wadsworth**, Burbank, CA (US); **Yuhua Lin**, Changzhou (CN)
(73) Assignee: **BELKIN INTERNATIONAL, INC.**, Playa Vista, CA (US)

8,044,942 B1 10/2011 Leonhard et al.
8,047,365 B1 11/2011 Lin
D651,214 S 12/2011 Yoo et al.
D651,791 S * 1/2012 Cataldo D3/218
D665,809 S 8/2012 Wang et al.
8,369,072 B1 2/2013 Alonzo et al.
8,393,377 B2 3/2013 Patel et al.
8,517,367 B1 8/2013 Napier
D690,704 S 10/2013 Padilla et al.
8,564,538 B2 10/2013 Wadsworth
D694,240 S * 11/2013 Cho D14/432
8,640,759 B2 * 2/2014 Chen B29C 63/0004
156/538
8,675,353 B1 3/2014 Alonzo et al.
D707,217 S 6/2014 Toulotte
D710,843 S 8/2014 Akana
D713,397 S 9/2014 Du et al.
D714,053 S 9/2014 Yoo
8,821,659 B2 9/2014 Ng et al.
D715,301 S 10/2014 Ashcraft et al.
D720,353 S 12/2014 Nakamura
D721,359 S 1/2015 Kim
8,931,770 B1 1/2015 Kaminski
9,010,396 B2 * 4/2015 Patel B29C 63/0004
156/443

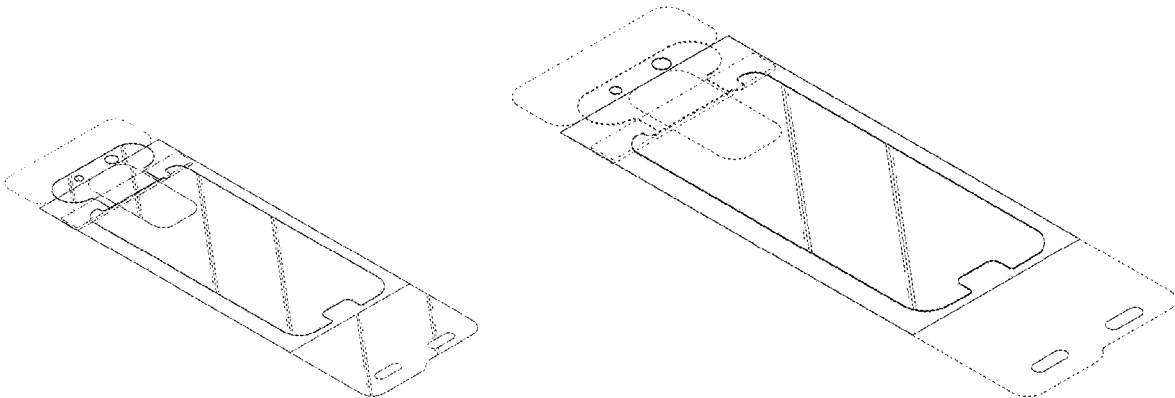
(**) Term: **15 Years**
(21) Appl. No.: **29/566,352**
(22) Filed: **May 27, 2016**
(51) **LOC (10) Cl.** **14-02**
(52) **U.S. Cl.**
USPC **D14/432**
(58) **Field of Classification Search**
USPC D14/316-319, 432-439, 442, 451-454, D14/496, 495, 391, 385, 367, 356; D8/331, 330; D18/50, 4.6, 4.5; 439/630, 439/635, 639, 160; 360/2; 235/492, 486, 235/479, 380
CPC G06F 1/1643; G06F 1/169; H04B 1/3888
See application file for complete search history.

(56) **References Cited**

U.S. PATENT DOCUMENTS

4,285,559 A 8/1981 Koch
D305,648 S 1/1990 Edington
4,895,231 A 1/1990 Yamaguchi et al.
5,069,732 A 12/1991 Levine
5,680,709 A 10/1997 Stone
5,805,251 A 9/1998 Ozawa
6,406,758 B1 6/2002 Bottari et al.
7,084,859 B1 8/2006 Pryor
D598,024 S 8/2009 Scott et al.
D601,959 S 10/2009 Lee
D601,960 S 10/2009 Dai
7,697,827 B2 4/2010 Konicek
7,957,524 B2 6/2011 Chipping
7,966,861 B2 6/2011 Yee et al.
D641,210 S * 7/2011 Hamilton D7/554.3

D729,235 S 5/2015 Nagao et al.
9,089,085 B2 7/2015 Patel et al.
9,159,260 B2 10/2015 Oh
D743,402 S * 11/2015 Ehara D14/432
D751,556 S 3/2016 Conley et al.
D751,557 S 3/2016 Lane
D759,640 S 6/2016 Wadsworth
D767,550 S * 9/2016 Beaupre D14/250
D776,123 S * 1/2017 Akana D14/440
D777,714 S * 1/2017 Akana D14/250
D778,869 S * 2/2017 Kim D14/138 G
D781,861 S 3/2017 Lane et al.
D783,024 S 4/2017 Conley et al.
9,662,860 B2 5/2017 Wadsworth
9,688,016 B2 6/2017 Rostami
9,701,062 B2 7/2017 Wadsworth et al.
9,701,096 B2 7/2017 Beaupre
2002/0054030 A1 5/2002 Murphy
2004/0109096 A1 6/2004 Anderson et al.
2004/0246386 A1 12/2004 Thomas et al.
2005/0030296 A1 2/2005 Stohrer et al.
2005/0164148 A1 7/2005 Sinclair
2007/0013662 A1 1/2007 Fauth
2007/0058990 A1 3/2007 Weaver et al.
2007/0115621 A1 5/2007 Guillen
2007/0229962 A1 10/2007 Mason, Jr.
2007/0247793 A1 10/2007 Carnevali
2007/0293282 A1 12/2007 Lewis et al.



US D800,129 S

| | | | | | | |
|--------------|-----|---------|--|----|---------------|---------|
| 2009/0015509 | A1 | 1/2009 | Gottwald et al. | EM | 0024866960013 | 6/2004 |
| 2009/0133219 | A1 | 5/2009 | Lowry et al. | EM | 0024866960014 | 6/2004 |
| 2009/0186181 | A1 | 7/2009 | Mase | EM | 0024866960015 | 6/2004 |
| 2009/0314400 | A1* | 12/2009 | Liu A45C 11/00 150/165 | EM | 0024866960016 | 6/2004 |
| 2010/0053926 | A1 | 3/2010 | Shi et al. | EM | 0024867120001 | 6/2004 |
| 2010/0079972 | A1 | 4/2010 | Chen et al. | EM | 0024867120002 | 6/2004 |
| 2010/0097757 | A1 | 4/2010 | Wang | EM | 0024867120003 | 6/2004 |
| 2010/0309152 | A1 | 12/2010 | Kusuda et al. | EM | 0024867120004 | 6/2004 |
| 2011/0206887 | A1 | 8/2011 | Kim | EM | 0024867120005 | 6/2004 |
| 2011/0267793 | A1 | 11/2011 | Cohen | EM | 0024867120006 | 6/2004 |
| 2011/0279383 | A1* | 11/2011 | Wilson G06F 3/041 345/173 | EM | 0024867120007 | 6/2004 |
| 2011/0309608 | A1 | 12/2011 | Flynn et al. | EM | 0024867120008 | 6/2004 |
| 2012/0043015 | A1 | 2/2012 | Feller | EM | 0024867120009 | 6/2004 |
| 2012/0063077 | A1 | 3/2012 | Tomobe et al. | EM | 0024867120010 | 6/2004 |
| 2012/0076967 | A1 | 3/2012 | Muramatsu | EM | 0024867120011 | 6/2004 |
| 2012/0087072 | A1 | 4/2012 | McGuire et al. | EM | 0024867120012 | 6/2004 |
| 2012/0110868 | A1* | 5/2012 | Abbondanzio B29C 63/0004 33/645 | EM | 0024867120013 | 6/2004 |
| 2012/0183712 | A1 | 7/2012 | Leonhard et al. | EM | 0024867120014 | 6/2004 |
| 2012/0211168 | A1 | 8/2012 | Patel et al. | EM | 0024867120015 | 6/2004 |
| 2012/0261930 | A1* | 10/2012 | Bethea A45F 5/00 294/25 | EM | 0024867120016 | 6/2004 |
| 2012/0268394 | A1 | 10/2012 | Hsu et al. | JP | 10199422 | 7/1998 |
| 2012/0276318 | A1 | 11/2012 | Franke | JP | 2002049327 | 2/2002 |
| 2013/0020005 | A1 | 1/2013 | Koblick et al. | JP | 2002057764 | 2/2002 |
| 2013/0020020 | A1 | 1/2013 | Liu | JP | 2003066419 | 3/2003 |
| 2013/0040088 | A1 | 2/2013 | Hirayama et al. | JP | 2006145918 | 6/2006 |
| 2013/0048203 | A1* | 2/2013 | Yau B32B 7/06 156/230 | JP | 2006155452 | 6/2006 |
| 2013/0156999 | A1* | 6/2013 | Braesch B29C 63/02 428/99 | JP | 3124275 | 8/2006 |
| 2013/0184845 | A1 | 7/2013 | Hales | JP | 3180690 | 12/2012 |
| 2013/0237296 | A1 | 9/2013 | Chen | KR | 200454225 | 6/2011 |
| 2013/0264235 | A1 | 10/2013 | Lin | KR | 101080018 | 11/2011 |
| 2014/0047708 | A1 | 2/2014 | Chae | KR | 101135144 | 4/2012 |
| 2014/0055927 | A1 | 2/2014 | Wang | KR | 101176316 | 8/2012 |
| 2014/0124146 | A1 | 5/2014 | Patel et al. | KR | 1020130043720 | 5/2013 |
| 2014/0250964 | A1 | 9/2014 | Dai et al. | KR | 300704457 | 8/2013 |
| 2014/0338829 | A1 | 11/2014 | Peng et al. | KR | 300704458 | 8/2013 |
| 2015/0000831 | A1 | 1/2015 | Wang | KR | 300704459 | 8/2013 |
| 2015/0041069 | A1* | 2/2015 | Wadsworth B29C 63/024 156/535 | KR | 300704460 | 8/2013 |
| 2015/0047773 | A1* | 2/2015 | Wadsworth B29C 63/0047 156/182 | KR | 1020130092713 | 8/2013 |
| 2015/0107767 | A1* | 4/2015 | Wadsworth B32B 37/0046 156/324 | KR | 1020130092804 | 8/2013 |
| 2015/0121691 | A1 | 5/2015 | Wang | KR | 300720375 | 12/2013 |
| | | | | KR | 300720376 | 12/2013 |
| | | | | KR | 101408663 | 6/2014 |
| | | | | KR | 1020140070046 | 6/2014 |
| | | | | KR | 1020140076245 | 6/2014 |
| | | | | KR | 101468710 | 12/2014 |
| | | | | KR | 200475419 | 12/2014 |
| | | | | KR | 200475420 | 12/2014 |
| | | | | KR | 1020140136596 | 12/2014 |
| | | | | KR | 1020140142904 | 12/2014 |
| | | | | KR | 1020140143262 | 12/2014 |
| | | | | KR | 1020150006910 | 1/2015 |
| | | | | KR | 200476916 | 4/2015 |
| | | | | KR | 1020150039292 | 4/2015 |
| | | | | KR | 2020150001663 | 5/2015 |
| | | | | KR | 300804459 | 7/2015 |
| | | | | KR | 1020160022665 | 3/2016 |
| | | | | KR | 1020160022755 | 3/2016 |
| | | | | KR | 1020160061078 | 5/2016 |
| | | | | KR | 1020160088067 | 7/2016 |
| | | | | KR | 1020160091491 | 8/2016 |
| | | | | KR | 2020170000128 | 1/2017 |
| | | | | TW | 1401223 | 7/2013 |
| | | | | WO | 2004005141 | 1/2004 |
| | | | | WO | 2005058705 | 6/2005 |
| | | | | WO | WO2011065796 | 6/2011 |
| | | | | WO | 2011163151 | 12/2011 |
| | | | | WO | 2012074802 | 6/2012 |

FOREIGN PATENT DOCUMENTS

| | | |
|----|---------------|---------|
| CN | 201456516 | 5/2010 |
| CN | 102632674 | 8/2012 |
| CN | 202623469 | 12/2012 |
| CN | 202896928 | 4/2013 |
| CN | 202967060 | 6/2013 |
| CN | 203077741 | 7/2013 |
| EM | 0024866540001 | 6/2004 |
| EM | 0024866540002 | 6/2004 |
| EM | 0024866540003 | 6/2004 |
| EM | 0024866540004 | 6/2004 |
| EM | 0024866540005 | 6/2004 |
| EM | 0024866540006 | 6/2004 |
| EM | 0024866540007 | 6/2004 |
| EM | 0024866540008 | 6/2004 |
| EM | 0024866960001 | 6/2004 |
| EM | 0024866960002 | 6/2004 |
| EM | 0024866960003 | 6/2004 |
| EM | 0024866960004 | 6/2004 |
| EM | 0024866960005 | 6/2004 |
| EM | 0024866960006 | 6/2004 |
| EM | 0024866960007 | 6/2004 |
| EM | 0024866960008 | 6/2004 |
| EM | 0024866960009 | 6/2004 |
| EM | 0024866960010 | 6/2004 |
| EM | 0024866960011 | 6/2004 |
| EM | 0024866960012 | 6/2004 |

OTHER PUBLICATIONS

International Search Report and Written Opinion for PCT/US2014/071767 dated Apr. 24, 2015.

International Search Report and Written Opinion for PCT/US2014/060300 dated Jan. 27, 2015.

AMZER—Kristal Screen Protectors—<http://www.amzer.com/kristal/>, Mar. 21, 2014.

MyScreenPROTECTOR—<https://www.myscreenprotector.com/?lng=3&view=cms&txt=about-my-screen-protector>, Mar. 21, 2014.

PureGear—PureTek Roll-On Kit—<http://www.pure-gear.com/shop-by-category/screen/puretek-roll-on-kit-antibacterial-antiglare-anti-fingerprint.html>, Mar. 21, 2014.

TYLT ALIN Perfect Alignment Screen Protection—<http://www.tylt.com/alin/>, Mar. 21, 2014.

ZAGG Introduces invisibleSHIELD On Demand and invisible Shield Glass at CES 2—<http://investors.zagg.com/releasedetail.cfm?ReleaseID=817526>, Mar. 21, 2014.

International Search Report and Written Opinion for PCT/US2014/050420 dated Nov. 19, 2014.

International Search Report and Written Opinion for PCT/US 09/61553, dated Dec. 17, 2009.

Protrusion on “F” key of computer keyboard; 1 page; picture taken Oct. 20, 2008.

Protrusion on “5” key of telephone; 1 page; picture taken Oct. 20, 2008.

Systech Displays, Inc.; Home page; <http://www.systechdisplays.com/>; Oct. 21, 2008; 2 pages.

Translation of KR-10-1135144, retrieved from the Internet on Jun. 9, 2017.

* cited by examiner

Primary Examiner — Austin Murphy

(74) *Attorney, Agent, or Firm* — Bryan Cave LLP

(57)

CLAIM

We claim the ornamental design for the overlay, substantially as shown.

DESCRIPTION

FIG. 1 is a top perspective view of an overlay, according to a first embodiment;

FIG. 2 is a bottom perspective view of the overlay, according to the first embodiment;

FIG. 3 is a top plan view of the overlay, according to the first embodiment;

FIG. 4 is a bottom plan view of the overlay, according to the first embodiment;

FIG. 5 is a side elevational view of the overlay, according to the first embodiment;

FIG. 6 is an opposite side elevational view of the overlay, according to the first embodiment;

FIG. 7 is an enlarged side elevational view of a portion of the overlay, as identified in FIG. 5, according to the first embodiment;

FIG. 8 is a top perspective view of an overlay, according to a second embodiment;

FIG. 9 is a bottom perspective view of the overlay, according to the second embodiment;

FIG. 10 is a top plan view of the overlay, according to the second embodiment;

FIG. 11 is a bottom plan view of the overlay, according to the second embodiment;

FIG. 12 is a side elevational view of the overlay, according to the second embodiment;

FIG. 13 is an opposite side elevational view of the overlay, according to the second embodiment;

FIG. 14 is an enlarged side elevational view of a portion of the overlay, as identified in FIG. 12, according to the second embodiment;

FIG. 15 is a top perspective view of an overlay, according to a third embodiment;

FIG. 16 is a bottom perspective view of the overlay, according to the third embodiment;

FIG. 17 is a top plan view of the overlay, according to the third embodiment;

FIG. 18 is a bottom plan view of the overlay, according to the third embodiment;

FIG. 19 is a side elevational view of the overlay, according to the third embodiment;

FIG. 20 is an opposite side elevational view of the overlay, according to the third embodiment; and,

FIG. 21 is an enlarged side elevational view of a portion of the overlay, as identified in FIG. 19, according to the third embodiment.

The evenly dashed broken lines of the various embodiments of the overlay are directed to environment and are for illustrative purposes only; the evenly dashed broken lines form no part of the claimed design.

1 Claim, 9 Drawing Sheets

FIG. 1

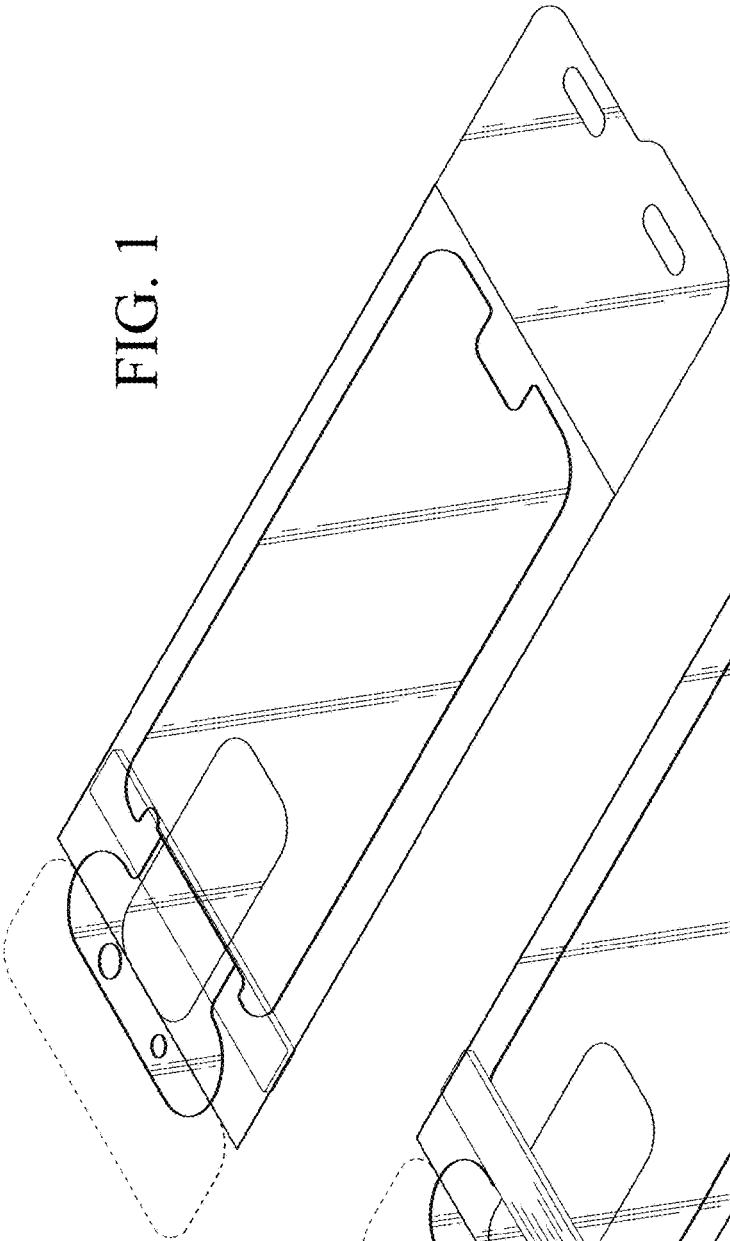
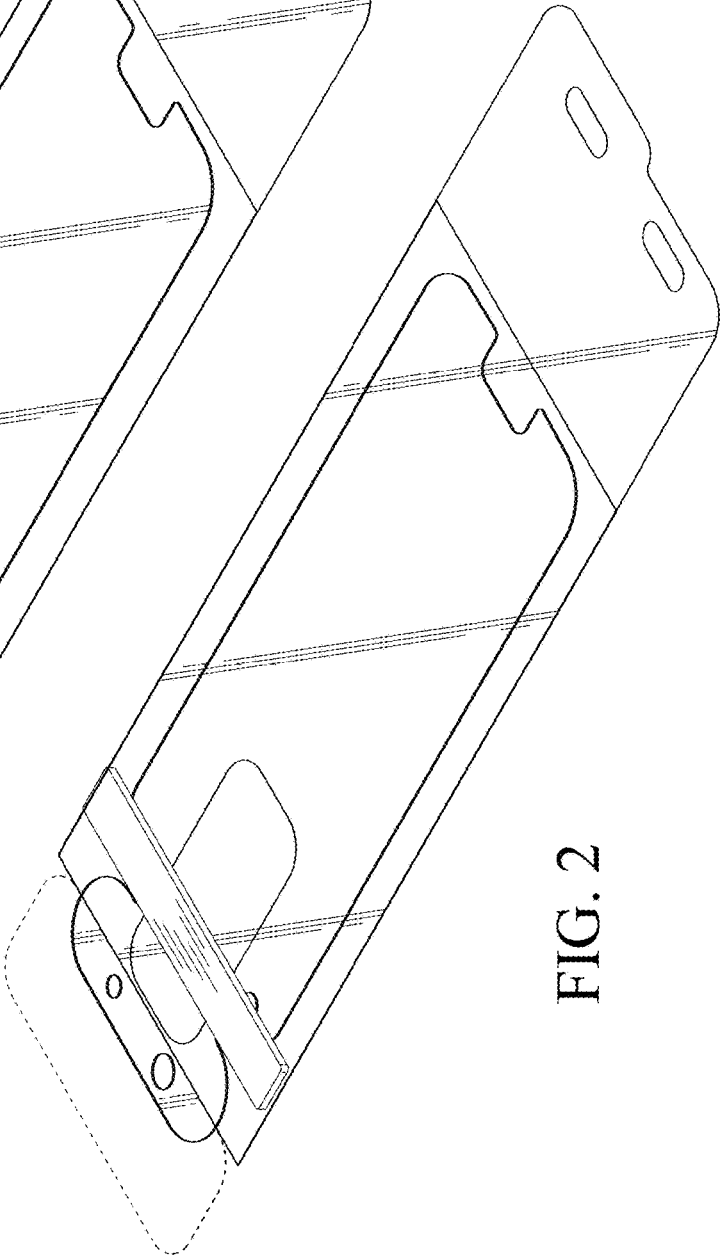


FIG. 2



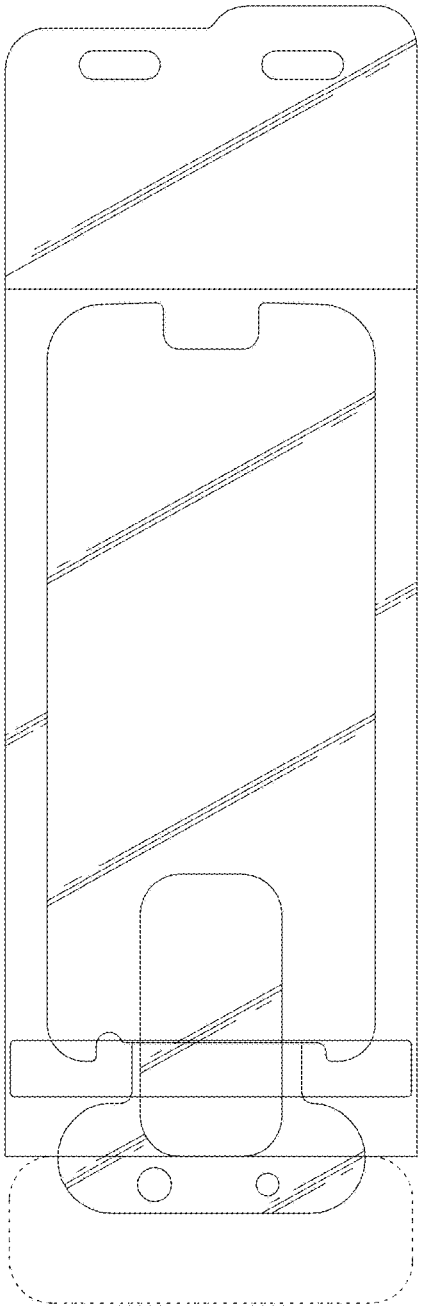


FIG. 3

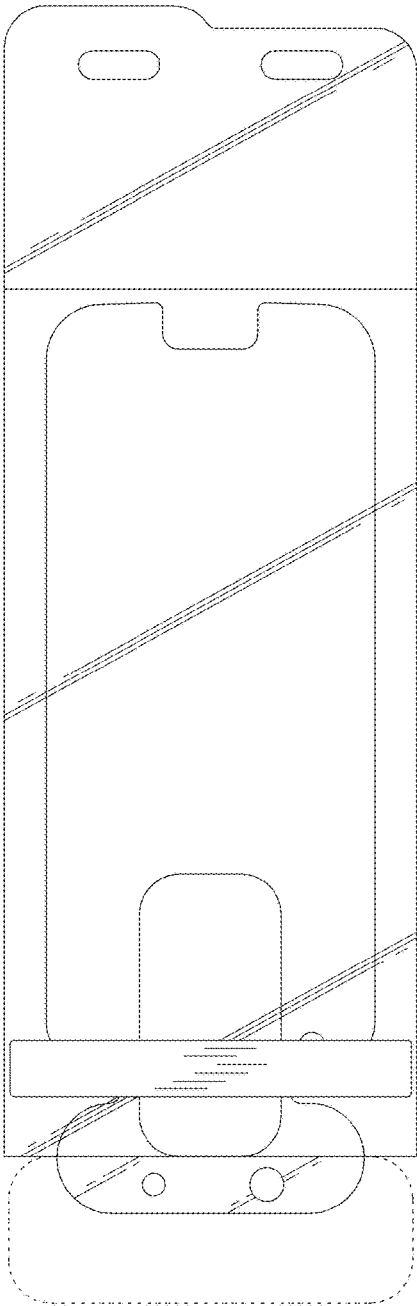


FIG. 4

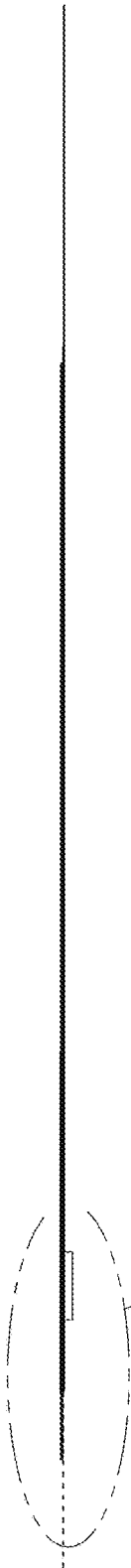


FIG. 5

FIG. 7



FIG. 6



FIG. 7

FIG. 8

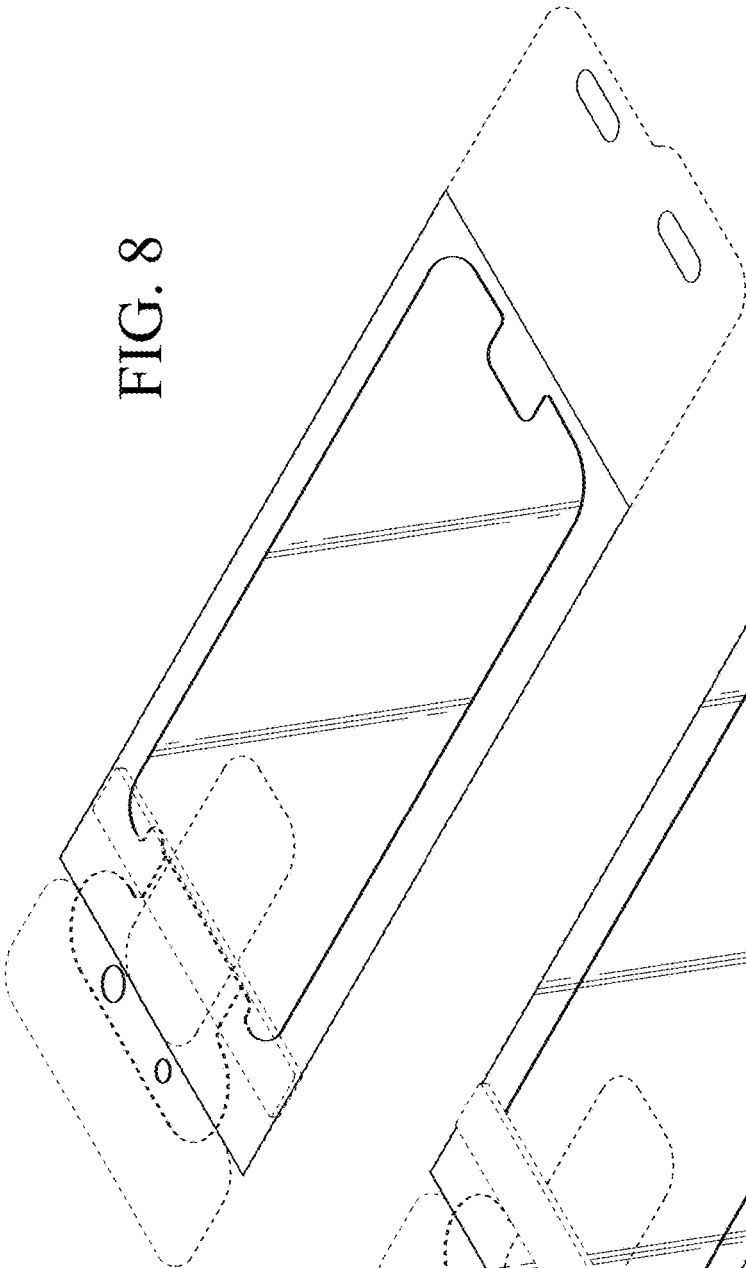
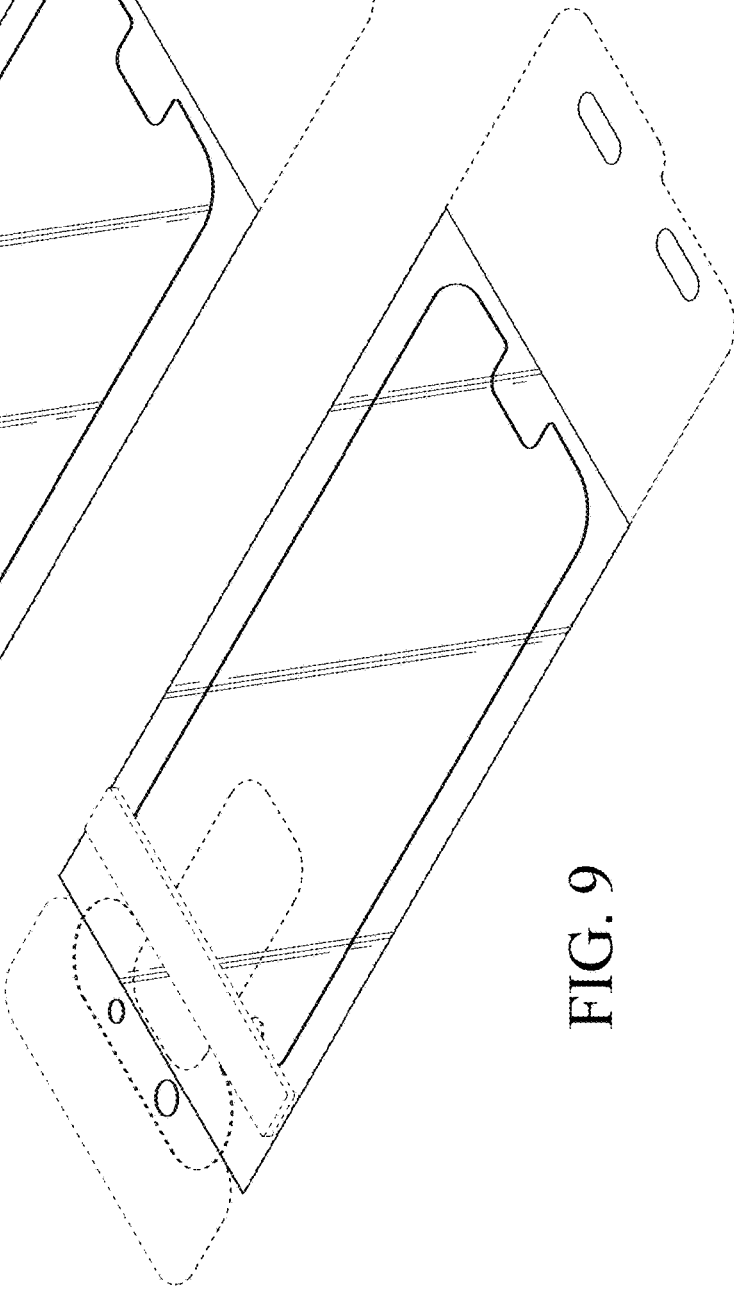


FIG. 9



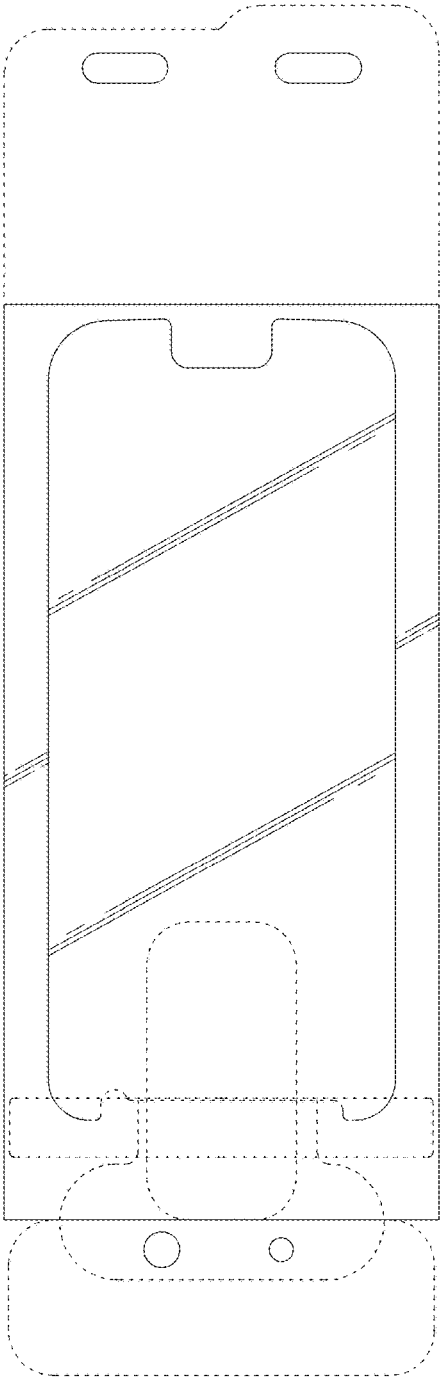


FIG. 10

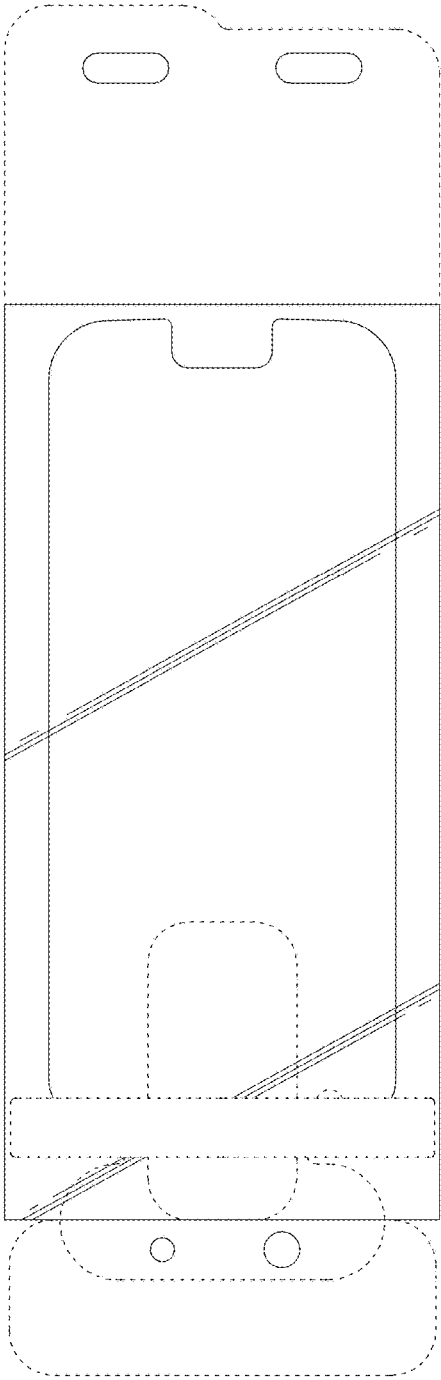


FIG. 11

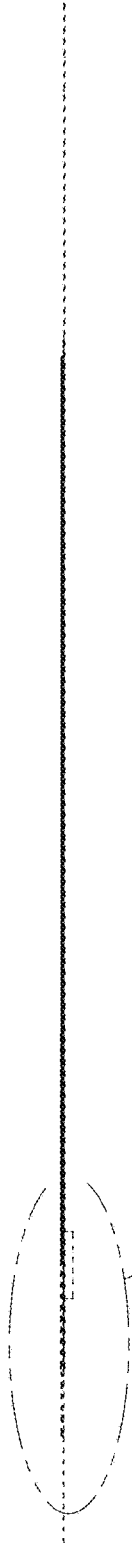


FIG. 12

FIG. 14



FIG. 13



FIG. 14

FIG. 15

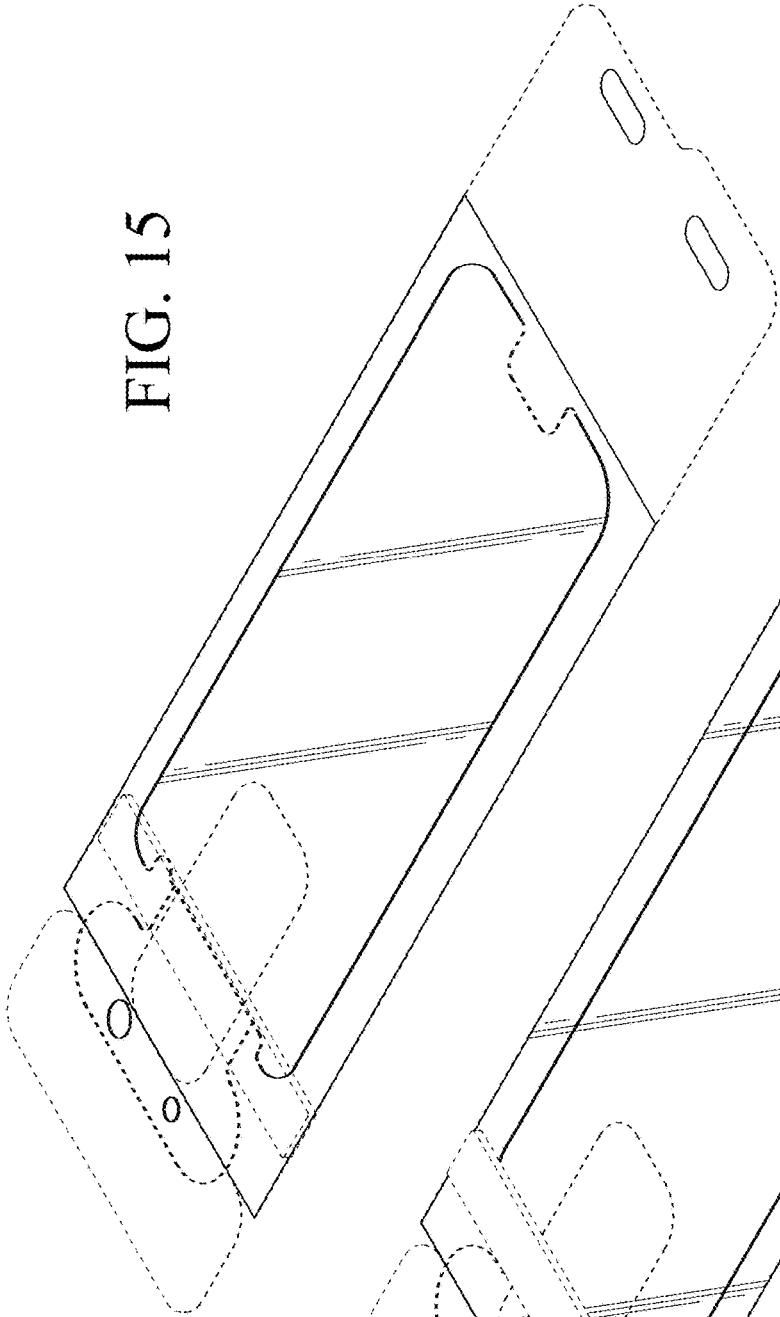
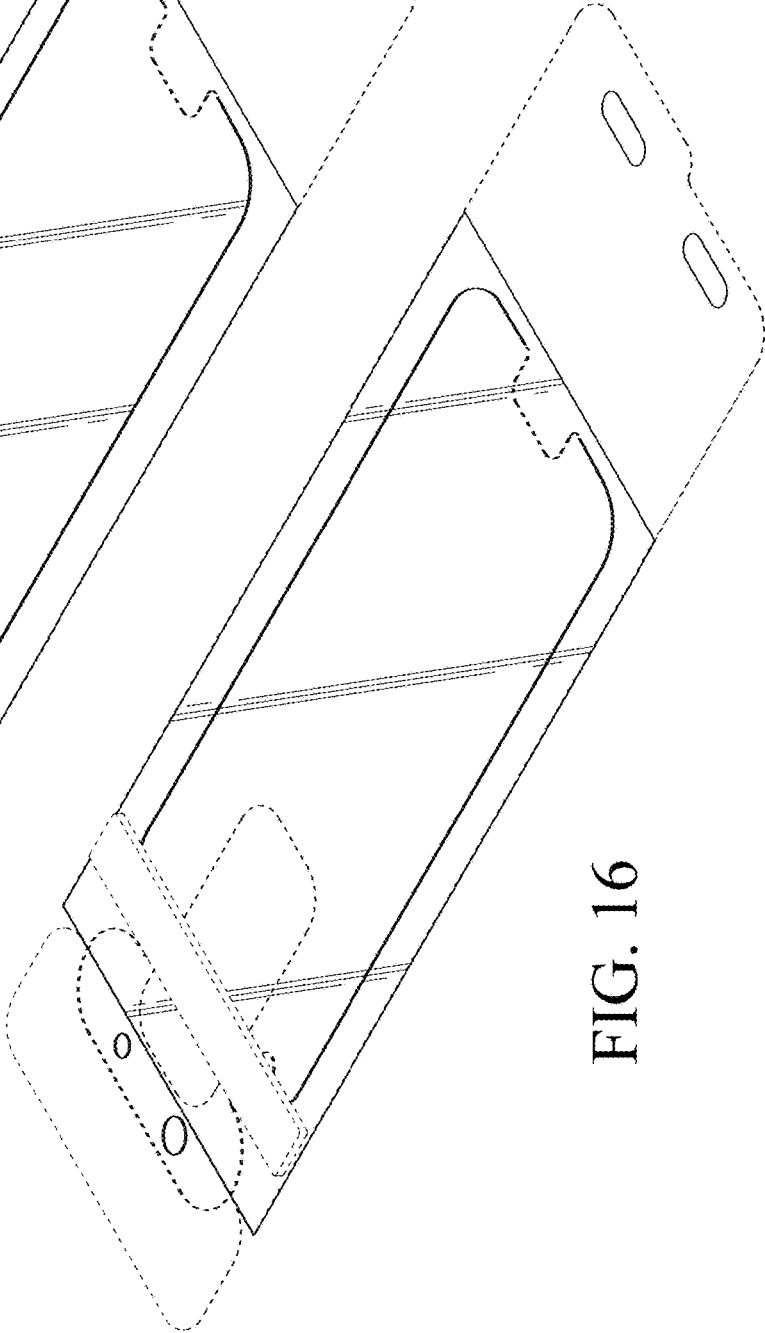


FIG. 16



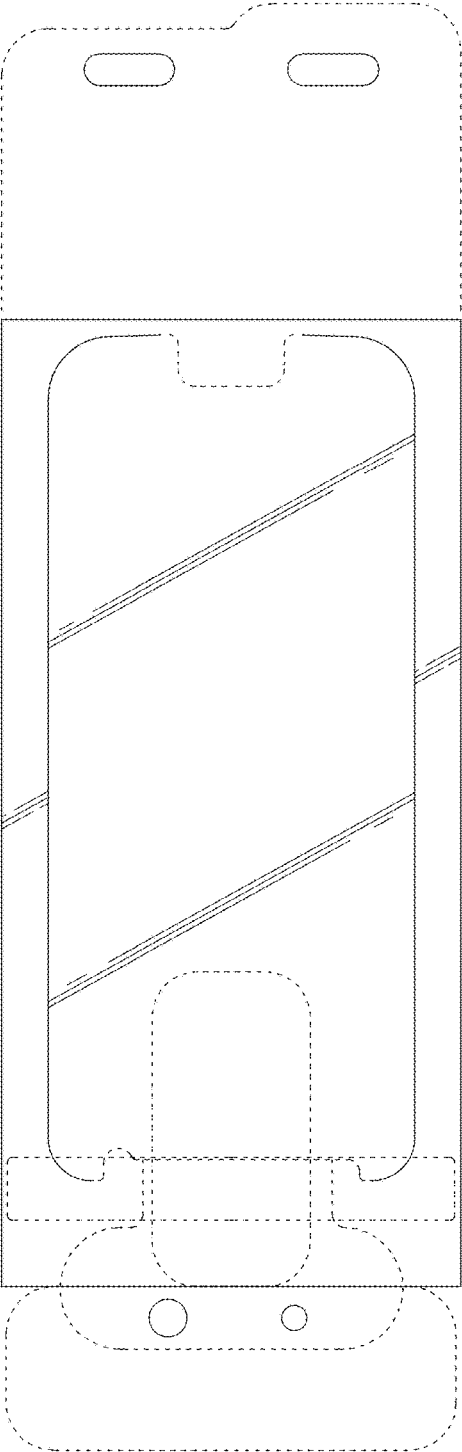


FIG. 17

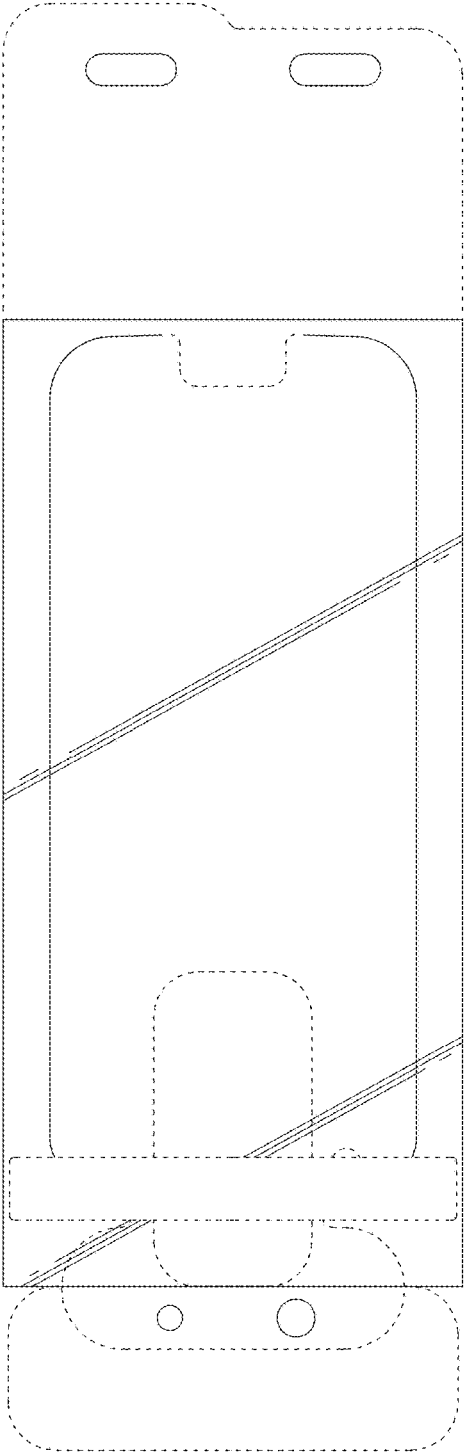


FIG. 18

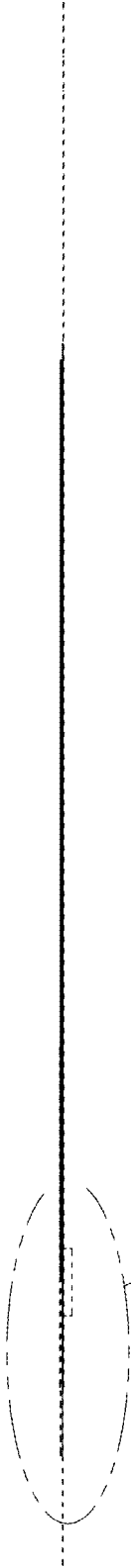


FIG. 19

FIG. 21



FIG. 20



FIG. 21