



US00D752734S

(12) **United States Design Patent**
Plunkett et al.

(10) **Patent No.:** **US D752,734 S**

(45) **Date of Patent:** **** Mar. 29, 2016**

(54) **INHALER GRIP**

(71) Applicant: **Civitas Therapeutics, Inc.**, Chelsea, MA (US)

(72) Inventors: **Sean Plunkett**, Westborough, MA (US);
Jake P. Ganem, Cape Neddick, ME (US); **Scott E. Ganem**, Cape Neddick, ME (US)

(73) Assignee: **Civitas Therapeutics, Inc.**, Chelsea, MA (US)

(**) Term: **14 Years**

(21) Appl. No.: **29/484,451**

(22) Filed: **Mar. 10, 2014**

(51) **LOC (10) Cl.** **29-02**

(52) **U.S. Cl.**
USPC **D24/110**

(58) **Field of Classification Search**
USPC D24/107, 108, 110, 111-114, 127, 164;
D19/161-163, 168, 174; D4/100-104,
D4/109-113, 117-118, 129, 138; D10/57,
D10/60; D14/411; D8/107, 303
CPC A61M 15/0065; A61M 15/0091;
A61M 15/0021; A61M 15/0026; A61M 15/00;
A61M 11/00; A61M 11/02; A61M 11/04
See application file for complete search history.

(56) **References Cited**

U.S. PATENT DOCUMENTS

| | | | | |
|---------------|---------|----------------|-------|----------------------|
| 1,657,450 A * | 1/1928 | Barnes | | A46B 9/04 132/308 |
| 2,517,482 A | 8/1950 | Hall | | |
| 2,946,332 A | 7/1960 | Sacks | | |
| 3,518,992 A | 7/1970 | Coiling et al. | | |
| D223,795 S * | 6/1972 | Covey | | D8/107 |
| 3,906,950 A | 9/1975 | Cocozza | | |
| 3,921,637 A | 11/1975 | Bennie et al. | | |
| 3,927,195 A | 12/1975 | Messora | | |

| | | |
|-------------|---------|------------------|
| 3,971,377 A | 7/1976 | Damani |
| 4,069,819 A | 1/1978 | Valentini et al. |
| 4,137,914 A | 2/1979 | Wetterlin |
| D262,320 S | 12/1981 | Mono |
| 4,338,931 A | 7/1982 | Cavazza |

(Continued)

FOREIGN PATENT DOCUMENTS

| | | |
|----|-----------------|---------|
| JP | 09262295 A | 10/1997 |
| JP | 2009148506 A | 7/2009 |
| WO | WO-03/080163 A1 | 10/2003 |

OTHER PUBLICATIONS

International Search Report and Written Opinion for International Application No. PCT/US2013/072769, mailed Jun. 18, 2014, 15 pages.

(Continued)

Primary Examiner — Barbara Fox
Assistant Examiner — Lilyana Bekic
(74) *Attorney, Agent, or Firm* — Goodwin Procter LLP

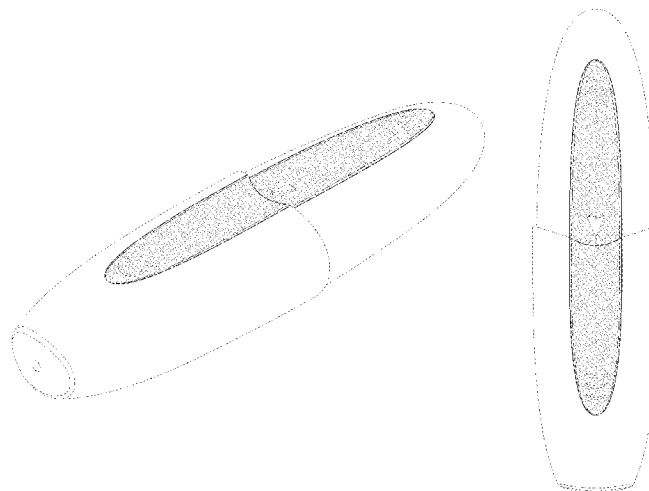
(57) **CLAIM**

The ornamental design for an inhaler grip, as shown and described.

DESCRIPTION

FIG. 1 is a front perspective view of an inhaler grip showing our new design;
FIG. 2 is a front view thereof;
FIG. 3 is a rear view thereof;
FIG. 4 is a right side view thereof;
FIG. 5 is a left side view thereof;
FIG. 6 is a top view thereof;
FIG. 7 is a bottom view thereof; and,
FIG. 8 is a rear perspective view thereof.
The broken line showing of the inhaler illustrates the environment of the inhaler grip and forms no part of the claimed design.

1 Claim, 5 Drawing Sheets



(56)

References Cited

U.S. PATENT DOCUMENTS

| | | | | | | | |
|--------------|---------|------------------|---------|-------------------|---------|--------------------|---------------------------|
| D278,593 S * | 4/1985 | MacGregor | D8/107 | D545,438 S | 6/2007 | Huang et al. | |
| D290,065 S * | 6/1987 | Battaglia | D28/25 | 7,278,425 B2 | 10/2007 | Edwards et al. | |
| D304,840 S * | 11/1989 | Mizutani | D19/163 | 7,284,553 B2 | 10/2007 | Hochrainer | |
| 4,884,565 A | 12/1989 | Cocozza | | D563,798 S | 3/2008 | Gibson et al. | |
| 4,995,385 A | 2/1991 | Valentini et al. | | D568,988 S * | 5/2008 | Galbraith | D24/112 |
| 5,048,514 A | 9/1991 | Ramella | | D581,461 S * | 11/2008 | Li | D19/163 |
| D327,016 S | 6/1992 | Leuenberger | | D585,491 S * | 1/2009 | Booker | D19/174 |
| D334,845 S * | 4/1993 | Ricciareli | D4/138 | D597,598 S * | 8/2009 | Ma | D19/163 |
| D341,837 S | 11/1993 | Curbbun | | D603,899 S * | 11/2009 | Suero, Jr. | D19/174 |
| D341,838 S | 11/1993 | Kasch et al. | | D604,362 S * | 11/2009 | Suero, Jr. | D19/174 |
| 5,263,475 A | 11/1993 | Altermatt et al. | | D611,321 S * | 3/2010 | Boies | D12/176 |
| D345,376 S * | 3/1994 | Underwood, Jr. | D19/162 | D612,486 S * | 3/2010 | Van der Stappen | D24/113 |
| D349,193 S * | 8/1994 | Sloan | D32/42 | 7,669,596 B2 | 3/2010 | Alston | |
| D350,851 S * | 9/1994 | Spence, Jr. | D24/200 | D613,741 S * | 4/2010 | Swan | D14/411 |
| D367,962 S * | 3/1996 | Leslie | D4/138 | D618,789 S * | 6/2010 | Sanders | D24/113 |
| 5,522,383 A | 6/1996 | Calvert et al. | | D620,106 S * | 7/2010 | Van der Stappen | D24/113 |
| D380,544 S | 7/1997 | Sandock | | D621,160 S * | 8/2010 | Ballmaier | D4/104 |
| 5,673,686 A | 10/1997 | Villax et al. | | D621,500 S * | 8/2010 | Sanders | D24/113 |
| D389,862 S * | 1/1998 | Imagawa | D19/163 | D623,225 S * | 9/2010 | Ryan | D19/174 |
| 5,810,004 A | 9/1998 | Ohki et al. | | 7,832,399 B2 | 11/2010 | Ganem et al. | |
| 5,852,414 A | 12/1998 | Yu et al. | | D629,504 S | 12/2010 | Zuyderhoudt | |
| D404,304 S | 1/1999 | Kick | | D629,507 S | 12/2010 | Zuyderhoudt | |
| D405,704 S * | 2/1999 | Gordon | D10/57 | D629,508 S | 12/2010 | Zuyderhoudt | |
| D406,847 S | 3/1999 | Gerba et al. | | D629,889 S | 12/2010 | Zuyderhoudt | |
| 5,899,202 A | 5/1999 | Ohki et al. | | D629,889 S | 12/2010 | Zuyderhoudt | |
| 5,901,703 A | 5/1999 | Ohki et al. | | 7,870,856 B2 | 1/2011 | Boeck | |
| 5,921,236 A | 7/1999 | Ohki et al. | | 7,954,491 B2 | 6/2011 | Hrkach | |
| 5,989,217 A | 11/1999 | Ohki et al. | | D641,077 S * | 7/2011 | Sanders | D24/113 |
| D419,448 S | 1/2000 | Kick | | D641,735 S | 7/2011 | Santa Maria et al. | |
| D420,804 S * | 2/2000 | Juhlin | D4/104 | D651,305 S * | 12/2011 | Hawley | D24/113 |
| D421,925 S * | 3/2000 | Lin | D10/57 | D652,136 S * | 1/2012 | Hawley | D24/113 |
| 6,092,522 A | 7/2000 | Calvert et al. | | D660,002 S * | 5/2012 | Smigel | D4/104 |
| D429,153 S | 8/2000 | Gabriel et al. | | D660,411 S | 5/2012 | Zuyderhoudt | |
| 6,164,853 A | 12/2000 | Foote | | D670,760 S * | 11/2012 | Papenfuß | D19/163 |
| D436,996 S * | 1/2001 | Izushima | D19/174 | D674,440 S * | 1/2013 | Papenfuß | D19/163 |
| D438,111 S | 2/2001 | Woods | | 8,357,114 B2 * | 1/2013 | Poutiatine | A61J 7/0038 604/59 |
| 6,186,141 B1 | 2/2001 | Pike et al. | | D680,972 S | 4/2013 | Hunter et al. | |
| D447,707 S * | 9/2001 | Kobayashi | D10/57 | D688,214 S | 8/2013 | Ducret et al. | |
| D451,497 S | 12/2001 | Wang et al. | | D694,237 S * | 11/2013 | Momose | D14/411 |
| D451,597 S * | 12/2001 | Suh | D24/108 | D695,394 S | 12/2013 | Takemoto et al. | |
| D465,715 S * | 11/2002 | Chiang | D8/107 | D696,775 S * | 12/2013 | Guarraia | D24/113 |
| D465,805 S * | 11/2002 | Hu | D14/411 | D698,553 S * | 2/2014 | Evans | D4/104 |
| D467,175 S | 12/2002 | Morgan | | D699,224 S | 2/2014 | Diamond | |
| D467,176 S | 12/2002 | Morgan | | D699,287 S * | 2/2014 | Lv | D19/163 |
| D475,026 S | 5/2003 | Buczek et al. | | 8,753,308 B2 * | 6/2014 | Palmer | A61J 7/0053 604/57 |
| D479,598 S | 9/2003 | Tyce | | D715,125 S * | 10/2014 | Hung | D8/107 |
| D479,600 S * | 9/2003 | Bainton | D24/112 | D719,935 S | 12/2014 | Diamond | |
| D479,746 S | 9/2003 | Tyce | | D725,606 S | 3/2015 | Eastman et al. | |
| D485,827 S | 1/2004 | Olson et al. | | D733,517 S * | 7/2015 | Constantine | D8/107 |
| D486,226 S | 2/2004 | Guney et al. | | 2002/0073996 A1 | 6/2002 | O'Leary | |
| 6,705,313 B2 | 3/2004 | Niccolai | | 2003/0150453 A1 | 8/2003 | Edwards et al. | |
| D490,151 S * | 5/2004 | Hawley | D19/164 | 2004/0069798 A1 * | 4/2004 | Grey | A61J 7/0481 222/52 |
| D490,343 S | 5/2004 | Guney et al. | | 2004/0112384 A1 | 6/2004 | Lithgow et al. | |
| 6,732,732 B2 | 5/2004 | Edwards et al. | | 2004/0118406 A1 | 6/2004 | Lithgow et al. | |
| D491,224 S * | 6/2004 | Hsieh | D19/174 | 2004/0216738 A1 | 11/2004 | Edwards et al. | |
| D492,992 S | 7/2004 | Guney et al. | | 2004/0224768 A1 | 11/2004 | Hussaini et al. | |
| 6,766,799 B2 | 7/2004 | Edwards et al. | | 2005/0000518 A1 | 1/2005 | Dunkley et al. | |
| D493,885 S | 8/2004 | Raje et al. | | 2005/0022812 A1 * | 2/2005 | Hrkach | A61K 9/0075 128/203.15 |
| D496,005 S | 9/2004 | Wang | | 2005/0056280 A1 | 3/2005 | Alston et al. | |
| D498,747 S | 11/2004 | Lin | | 2005/0150488 A1 * | 7/2005 | Dave | A61J 7/0481 128/200.14 |
| D498,790 S * | 11/2004 | Shova | D19/163 | 2006/0157491 A1 * | 7/2006 | Whittle | A61J 7/04 221/9 |
| D499,485 S * | 12/2004 | Tyce | D19/164 | 2006/0254583 A1 | 11/2006 | Deboeck et al. | |
| D500,706 S | 1/2005 | Guney et al. | | 2007/0186923 A1 * | 8/2007 | Poutiatine | A61J 7/0038 128/200.14 |
| D501,224 S * | 1/2005 | Pan | D19/174 | 2007/0221216 A1 | 9/2007 | Ganem et al. | |
| D501,724 S * | 2/2005 | Li | D4/104 | 2008/0314383 A1 | 12/2008 | Barney et al. | |
| D504,464 S * | 4/2005 | Martzloff | D19/163 | 2009/0000619 A1 | 1/2009 | Gradon et al. | |
| D508,077 S * | 8/2005 | Bhavani | D14/411 | 2009/0025721 A1 | 1/2009 | Ellwanger et al. | |
| D508,530 S * | 8/2005 | Qiu | D19/174 | 2009/0032427 A1 | 2/2009 | Cheu et al. | |
| D510,911 S * | 10/2005 | Jeal | D13/156 | 2010/0108062 A1 | 5/2010 | Ganem et al. | |
| D515,204 S | 2/2006 | Guney et al. | | 2010/0175696 A1 | 7/2010 | Ishizeki et al. | |
| D520,059 S * | 5/2006 | Shibata | D19/174 | 2010/0300440 A1 | 12/2010 | Deboeck et al. | |
| D525,511 S * | 7/2006 | Hung | D8/107 | 2011/0220106 A1 | 9/2011 | Ganem et al. | |
| D533,428 S * | 12/2006 | Tsai | D8/107 | 2011/0277752 A1 | 11/2011 | Cheu et al. | |
| 7,146,978 B2 | 12/2006 | Edwards et al. | | | | | |
| D542,620 S * | 5/2007 | Thompson | D8/107 | | | | |

(56)

References Cited

OTHER PUBLICATIONS

U.S. PATENT DOCUMENTS

| | | | | |
|--------------|-----|---------|-----------------|----------------------------|
| 2011/0283997 | A1 | 11/2011 | Walsh et al. | |
| 2012/0111325 | A1 | 5/2012 | Hrkach | |
| 2013/0065321 | A1 | 3/2013 | Nazareth et al. | |
| 2013/0217136 | A1 | 8/2013 | Nazareth et al. | |
| 2014/0150787 | A1* | 6/2014 | Ellwanger | A61M 15/0028 128/203.15 |
| 2015/0099726 | A1 | 4/2015 | Dalvi et al. | |
| 2015/0238715 | A1 | 8/2015 | Walsh et al. | |

Invitation to Pay Additional Fees and, Where Applicable Protest Fees
for International Application No. PCT/US2013/072769, mailed Mar.
21, 2014, 5 pages.

* cited by examiner

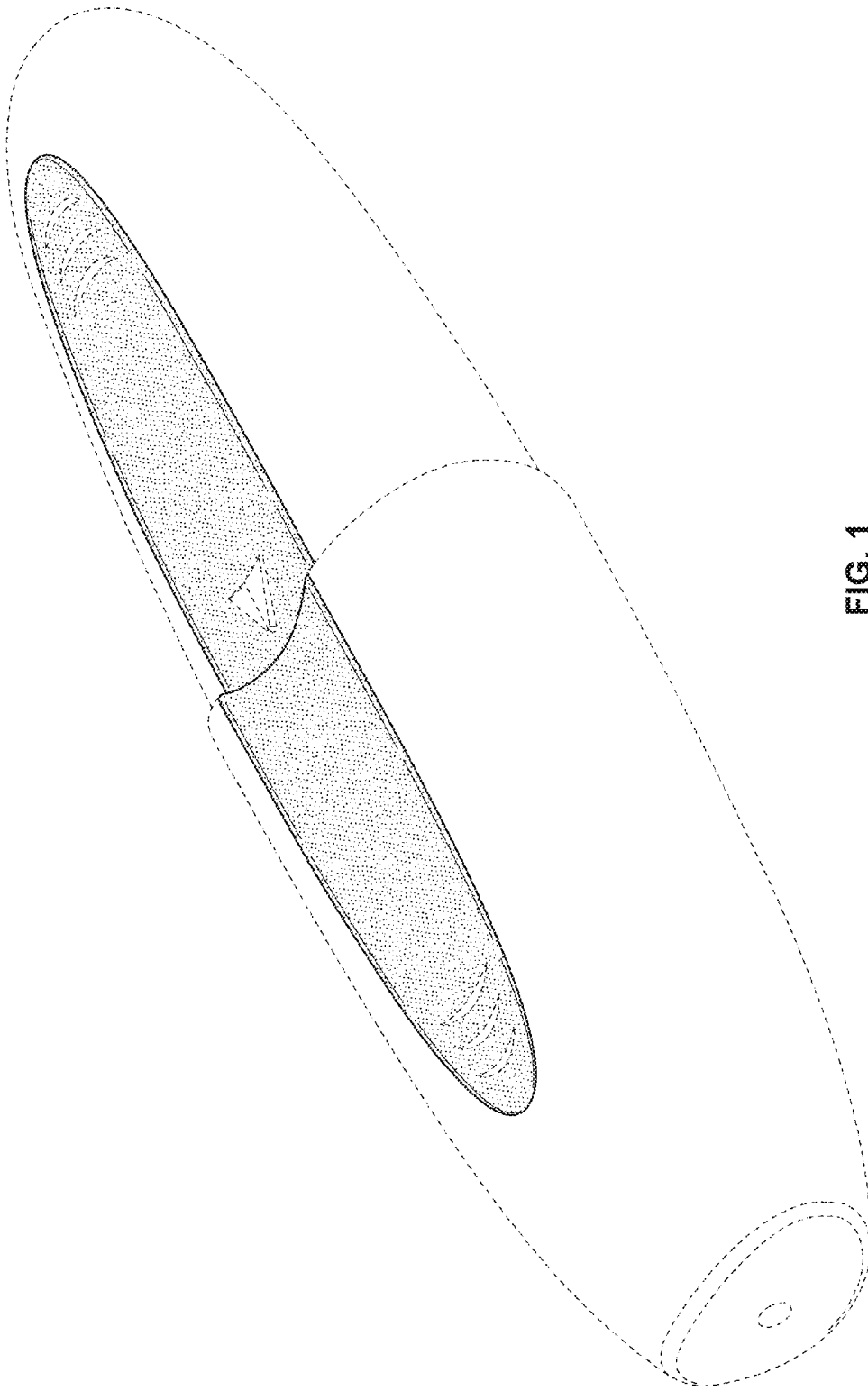


FIG. 1

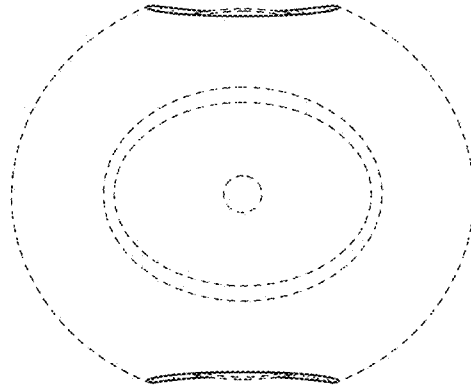


FIG. 2

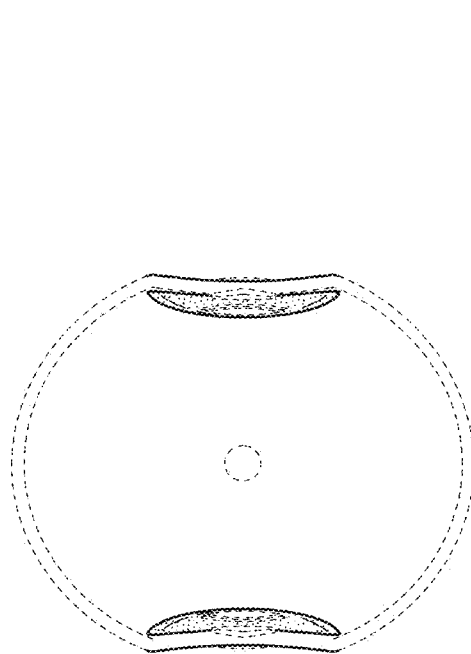


FIG. 3

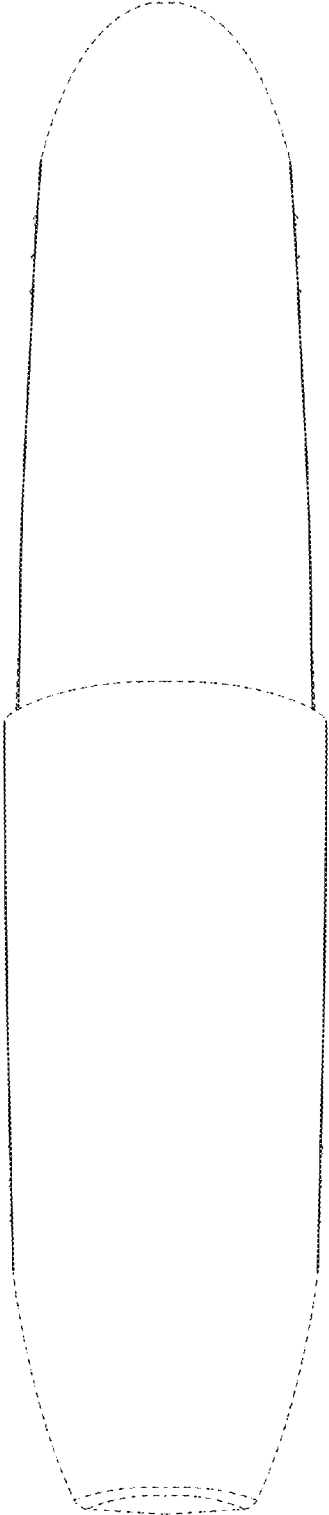


FIG. 4

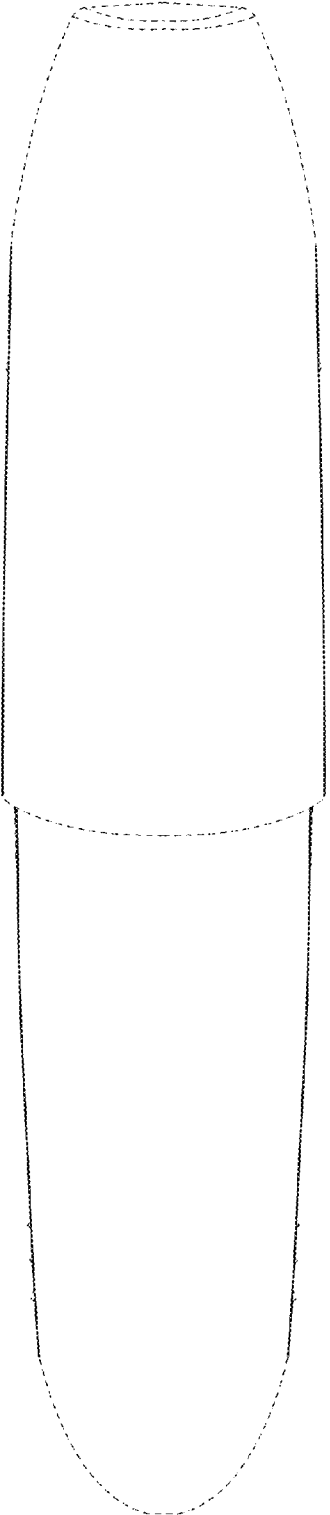


FIG. 5

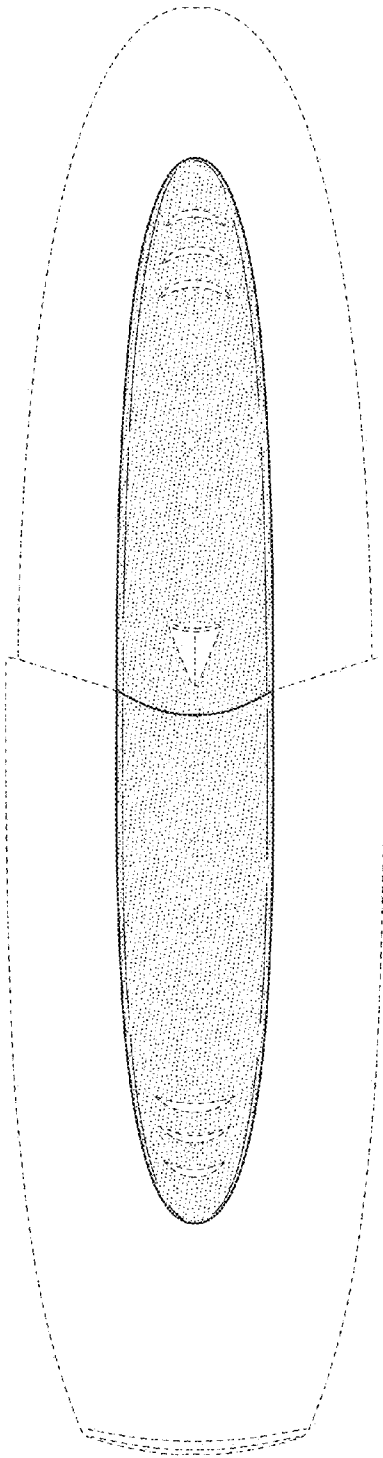


FIG. 6

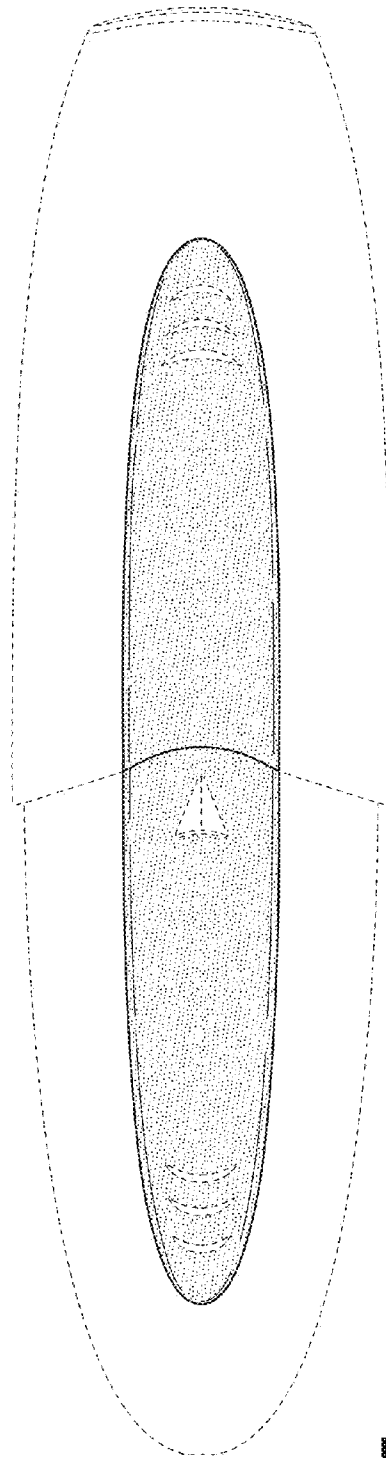


FIG. 7

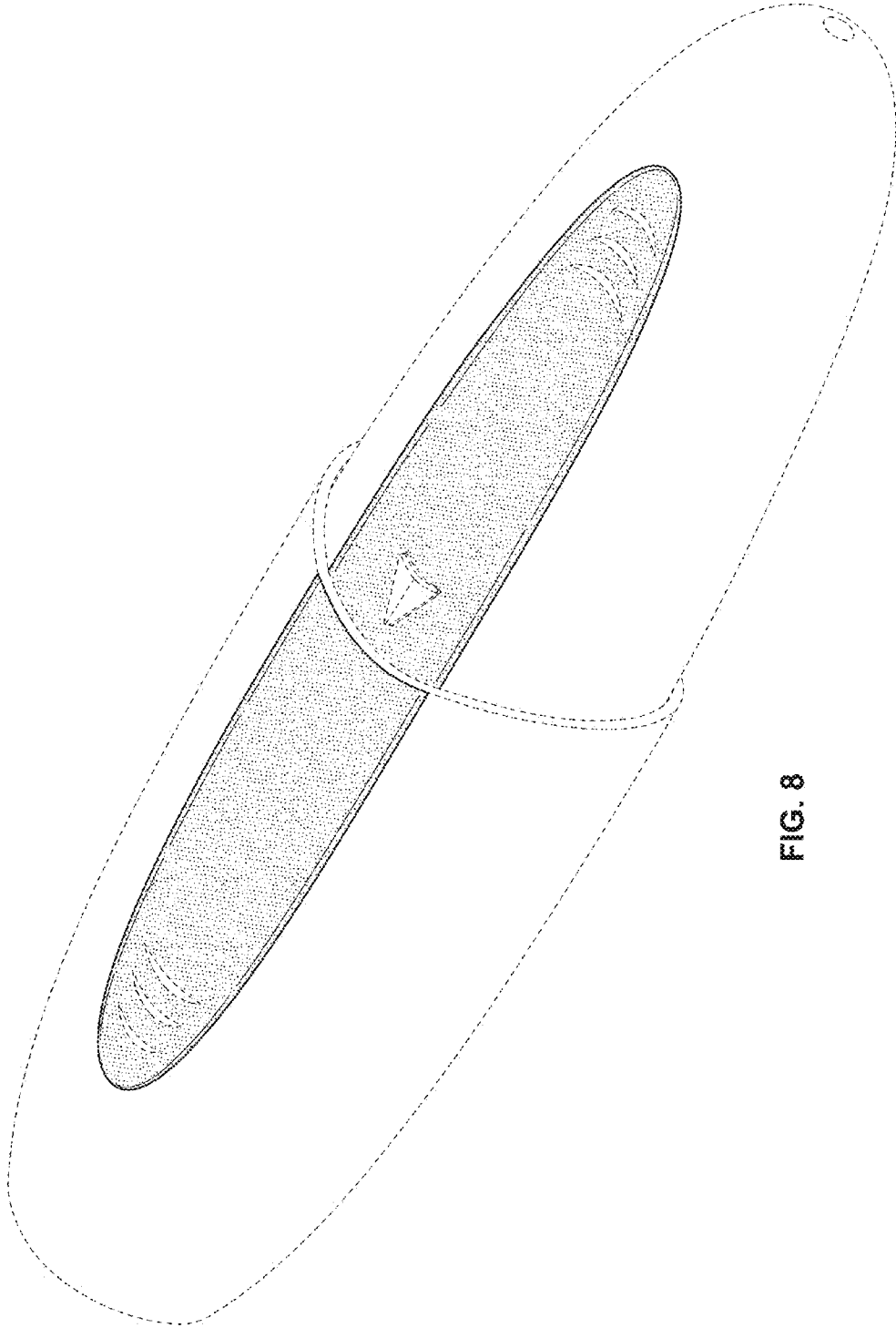


FIG. 8